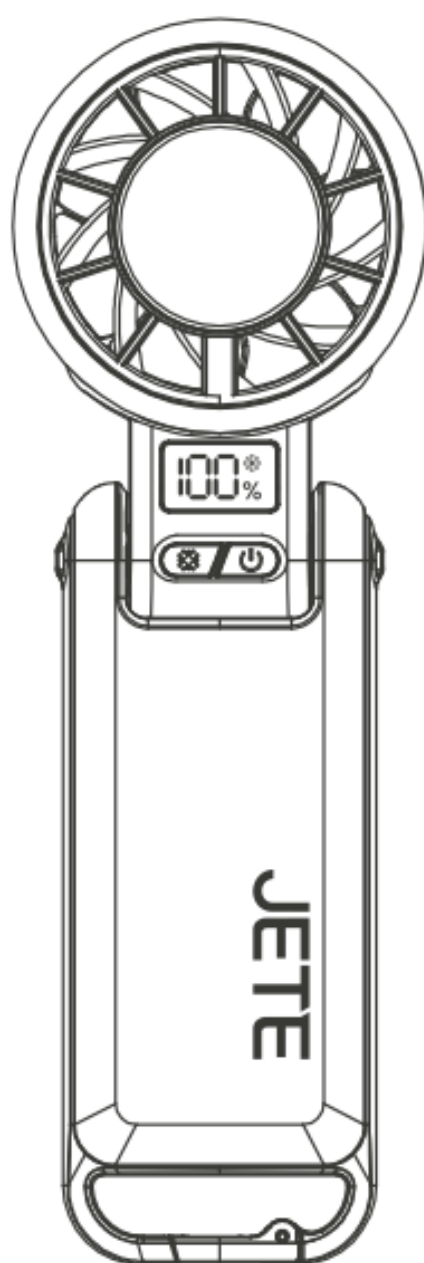


JETE

USER MANUAL PORTABLE FAN TF3

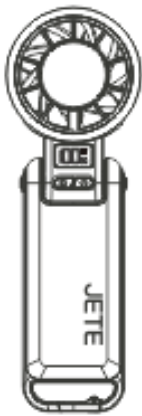


Please read the instructions carefully
before using the product.

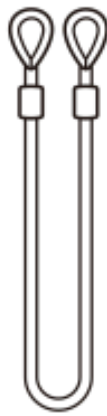
Product Introduction :

Thank you for purchasing JETE products. For optimal and safe performance, it is expected to read the instructions carefully before using this product.

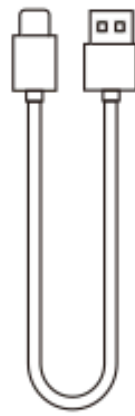
Content Package :



TF3



Lanyard

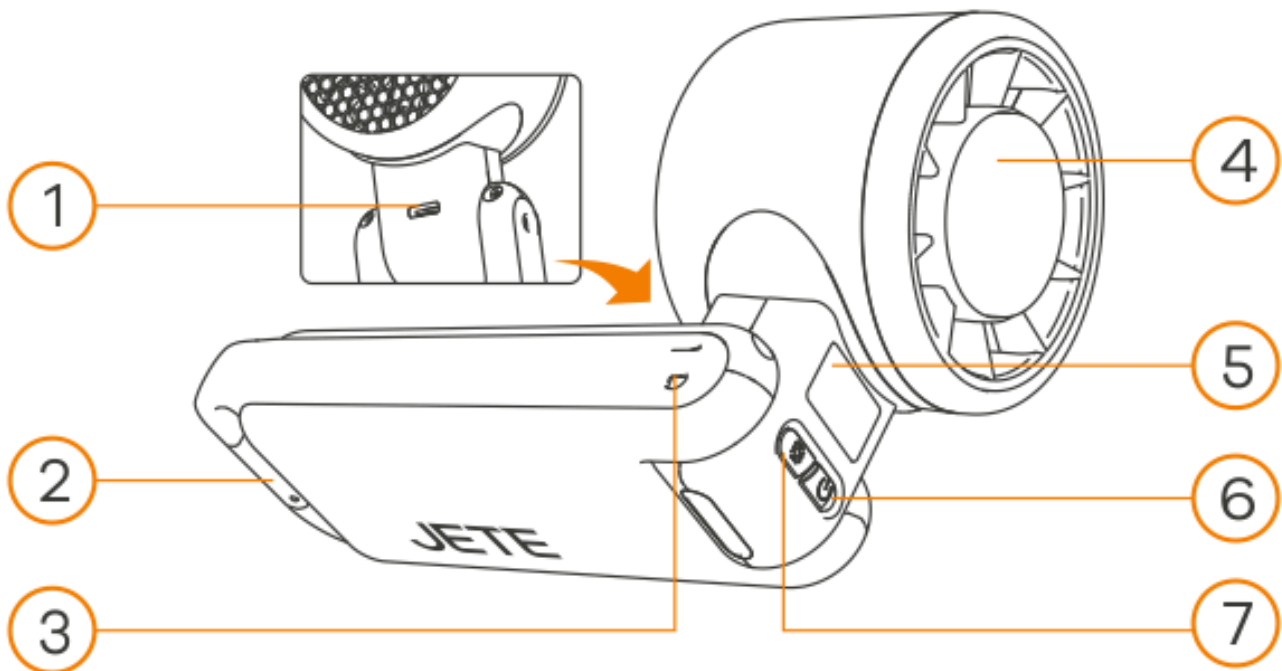


Kabel
Pengisian



Panduan
Penggunaan

Description Structure Product :



1. Port USB-C
2. Carabiner
3. Lanyar Hole
4. Cooler

5. LED Display
6. Power Button
7. Cooling Mode Button

Tips:

- Regular use of the fan is the easiest form of maintenance.
- It is recommended to operate the fan at a medium speed, as this can help extend the fan's service life.

How to Use :

How to Adjust Fan Speed :

1. Press the power button once to turn on the fan and switch to speed level 20.
2. Press the power button again to switch to speed level 40.
3. Press the power button again to switch to speed level 60.
4. Press the power button again to switch to speed level 80.
5. Press the power button again to switch to speed level 100.

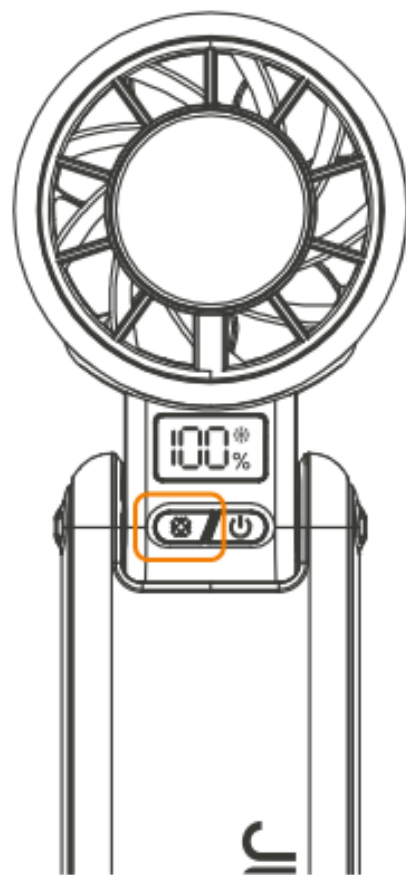
Press once more to turn off the fan.

Note:

After a speed level is selected, the LED display will automatically switch to the battery indicator (%).

How to Activate Cooling Mode :

1. Press the cooling mode button to activate the cooling function (❄️).
2. Press again to turn off cooling mode.



Usage Duration After a Full Charge :

Operating Mode	Usage Duration
Fan speed 20	±9h 30m
Fan speed 40	±6h 40m
Fan speed 60	±5h 40m
Fan speed 80	±3h 40m
Fan speed 100	±2h 20m
Speed 20 + cooling mode	±2h 15m
Speed 40 + cooling mode	±1h 45m
Speed 60 + cooling mode	±1h 40m
Speed 80 + cooling mode	±1h 35m
Speed 100 + cooling mode	±1h 30m

How to Charge :

- Use a USB-C charging cable with DC 5V/2A for charging.
- For first-time use, charge the device for 2 hours.
- During charging, the LED display will light up and show the battery percentage.

Product Specification :

Power Input	: DC 5V/2A
Maximum Output Power	: 5W
Battery Capacity	: 4000mAh 2000mAh × 2 (18650 Lithium-Ion)
Maximum Air Speed	: 8 m/s
Motor Speed	: 10,600 RPM
Maximum Speed Level	: 5 levels
Number of Fan Blades	: 7
Charging Port	: USB-C
Operating Time	: 2.5–9.5 hours (Normal Mode) 1.5–2 hours (Cooling Mode)
Charging Time	: 3.5 hours
Product Dimensions	: 60*46*180 mm
Product Weight	: 218 g
Material	: ABS

JETE

**WARRANTY CARD and
USER MANUAL**

PORTABLE FAN TF3



e-Usermanual

IMPORTIR

PT. DORAN SUKSES INDONESIA

Jl. Lebak Jaya 2 Tengah No. 2, Surabaya

CUSTOMER SERVICE



081217393609



jete.id



jeteindonesia



jeteindonesia



jeteindonesia

Maintenance :

Please read the following recommendations before using JETE

- Avoid exposing the device to water vapor or humid places. This can affect the internal circuit.
- Do not use cleaning solutions to clean the device.
- Do not expose the device to extreme heat or cold, as this can damage the device or change certain plastic parts.
- Avoid exposing the device to sharp objects, as this can cause scratches and damage.
- Do not disassemble or modify the device.
- Do not drop the device, as this can damage the circuitry.
- Always store the device at room temperature.

How to Warranty Claim JETE Product :

1. All warranty claims can be made at the list of Authorized Outlets listed on the warranty card.
2. Buyers can come to an authorized Outlet or contact Customer Service +62812-1739-3609 if they want to exchange the product online.
3. All expedition shipping costs / product postage are borne by the buyer.
4. When claiming the warranty, the buyer is MANDATORY to show the completeness of the warranty:
 - A purchase receipt that clearly states the name of the outlet and the date of the transaction.
 - The product must still be within the specified warranty period.
 - Warranty card that has been filled out.
 - Box / Packing Product.
5. Please inform the constraints / product damage that occurs to our staff.
6. WARRANTY DOES NOT APPLY if USER DAMAGE is found, namely:
 - BROKEN, CRACKED, BURNED, DROPPED, MODIFIED BY YOURSELF, SUBMERGED IN WATER.
7. If there are problems during warranty claims or other questions, please contact Customer Service +62812-1739-3609

Terms and Conditions of Warranty :

1. This warranty is valid for 2 years for original JETE products.
2. This warranty is valid for the warranty period stated on the product packaging since the date of sale.
3. During the warranty period, the user is exempt from any replacement costs that may occur.
4. The user must show the warranty card and purchase receipt when applying for a warranty.
5. The warranty applies to functional damage:
 - Disfunction.
 - Audio not detected.
 - Indicator off.
 - Battery damage.
6. This warranty DOES NOT APPLY if:
 - PRODUCT IS BROKEN, CRACKED, BURNED, FALLEN,
 - MODIFIED YOURSELF, SOAKED IN WATER.
 - Supporting accessories such as: cables, adapters, etc.
 - Abnormal use, not stored properly, natural disasters, modified, or anything intentionally.
 - The product has been repaired by a third party.
 - The data is not filled in completely by the seller and buyer.
 - Damage caused by user error.
 - The product warranty period has expired.

**2 YEARS
WARRANTY**

**NEW REPLACEMENT
FOR ANY FAULTS *T&C**



Contact Us

JETE WARRANTY POINTS

