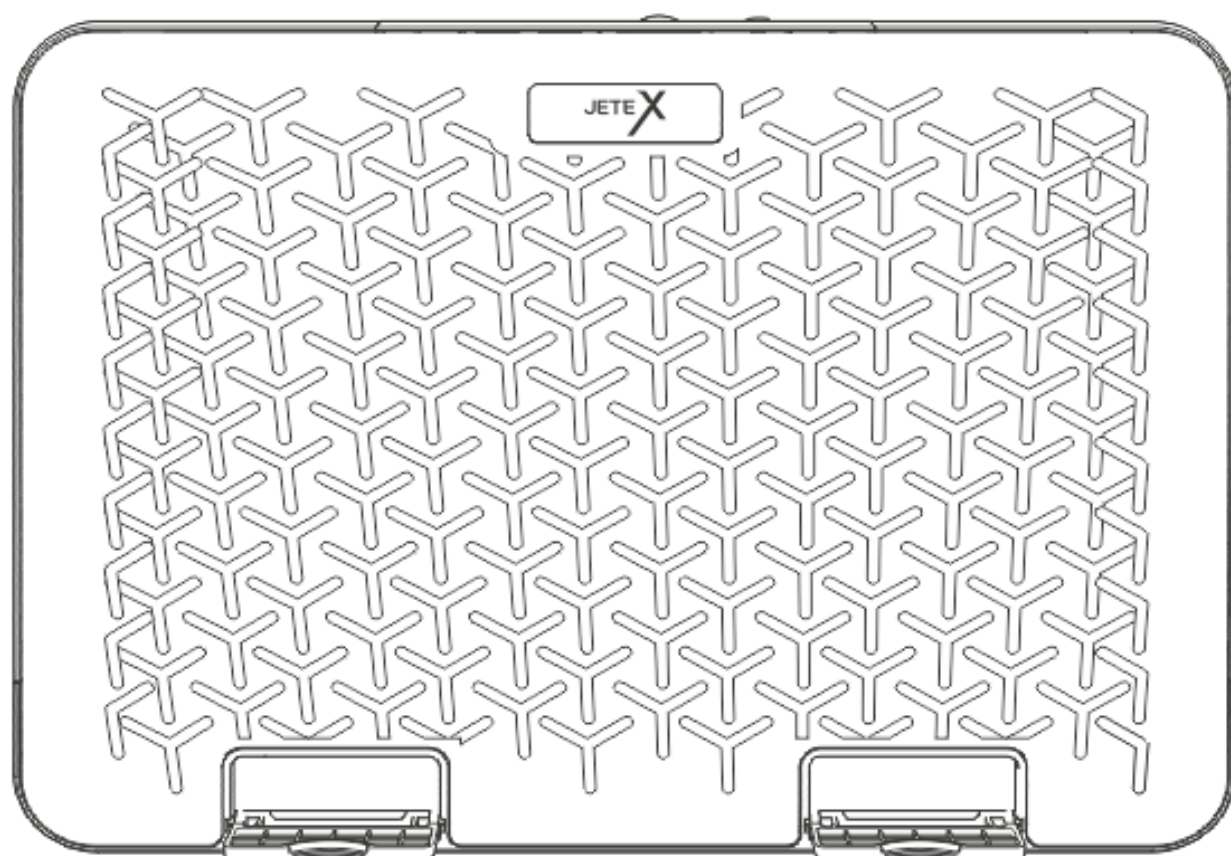


# JETE X

## USER MANUAL

### COOLER LAPTOP LX1

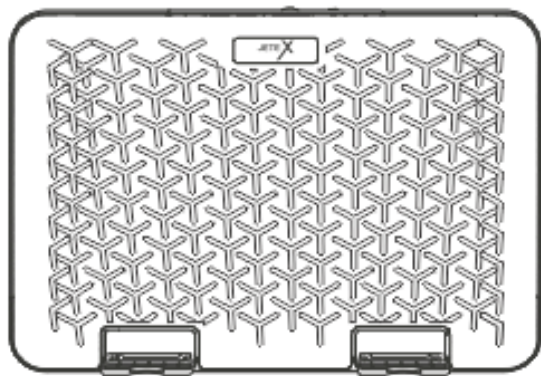


Please read the instructions carefully  
before using the product.

## Product Introduction :

Thank you for purchasing JETE products. For optimal and safe performance, it is expected to read the instructions carefully before using this product.

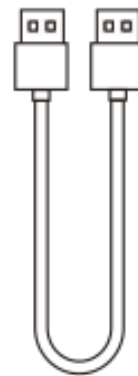
## Content Package :



LX1



Holder

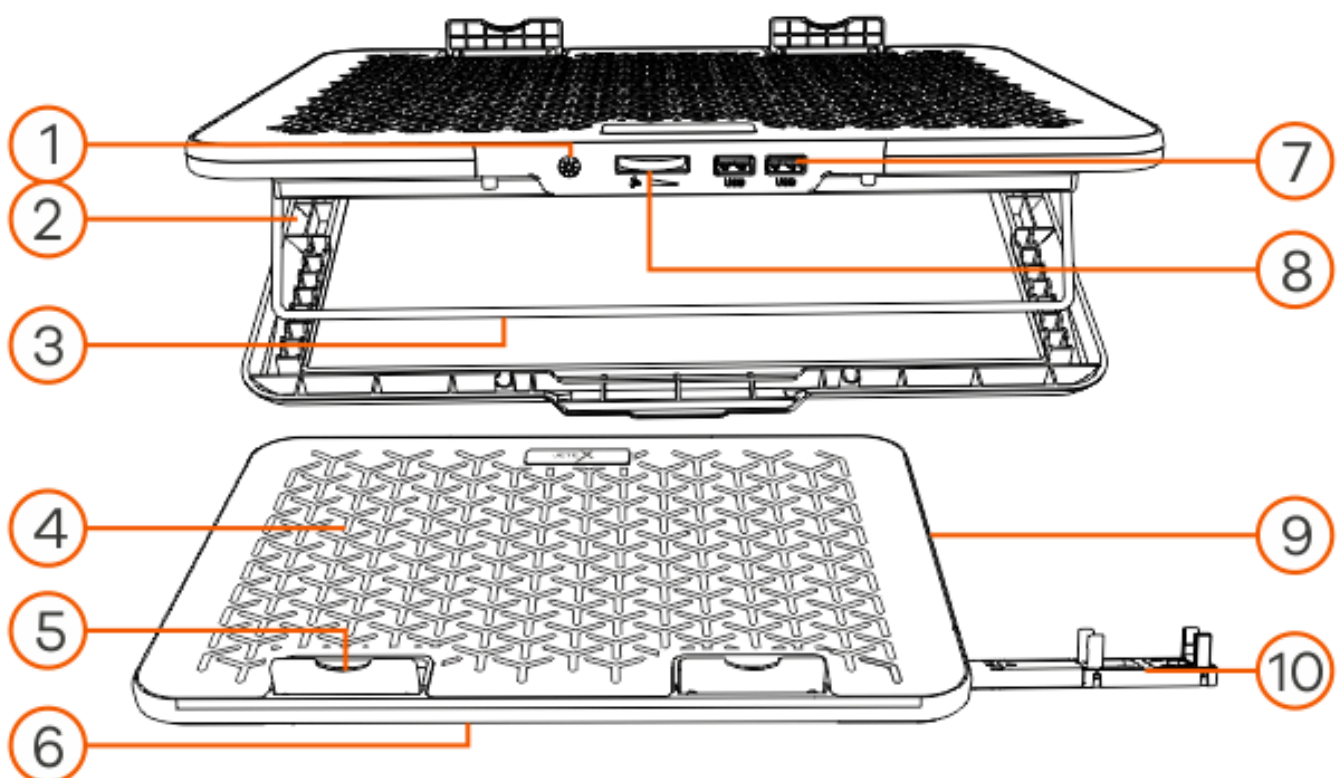


Charging Cable



User Manual

## Description Structure Product :



1. Light Button

2. Holder Slot

3. Metal Stand

4. Cooling Fan

5. Support Bracket

6. Holder Storage Slot

7. USB Port

8. Speed Level Control

9. RGB Light

10. Smartphone Holder

## How to Use :

### How to Turn On the Fan

- Connect the USB to USB cable from your laptop to the cooler. The RGB light will turn on, indicating the device is active.
- Turn the speed level control to the right until you hear a "click." The fan will start spinning according to the selected speed level.

### How to Turn Off the Fan

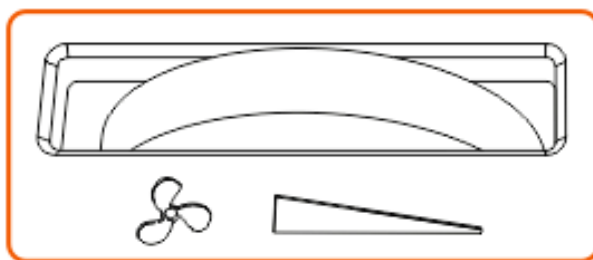
- Turn the speed level control to the left until you hear a "click" to turn off the fan.

Note:

Do not unplug the cable immediately when the device is not in use. Please turn off the light and the fan before disconnecting the cable from the power source, as this can help extend the cooler's lifespan.

### How to Adjust the Fan Speed

- Turn the speed level control to the right to increase the fan speed.
- Turn the speed level control to the left to decrease the fan speed.



### How to Turn the Light On and Off

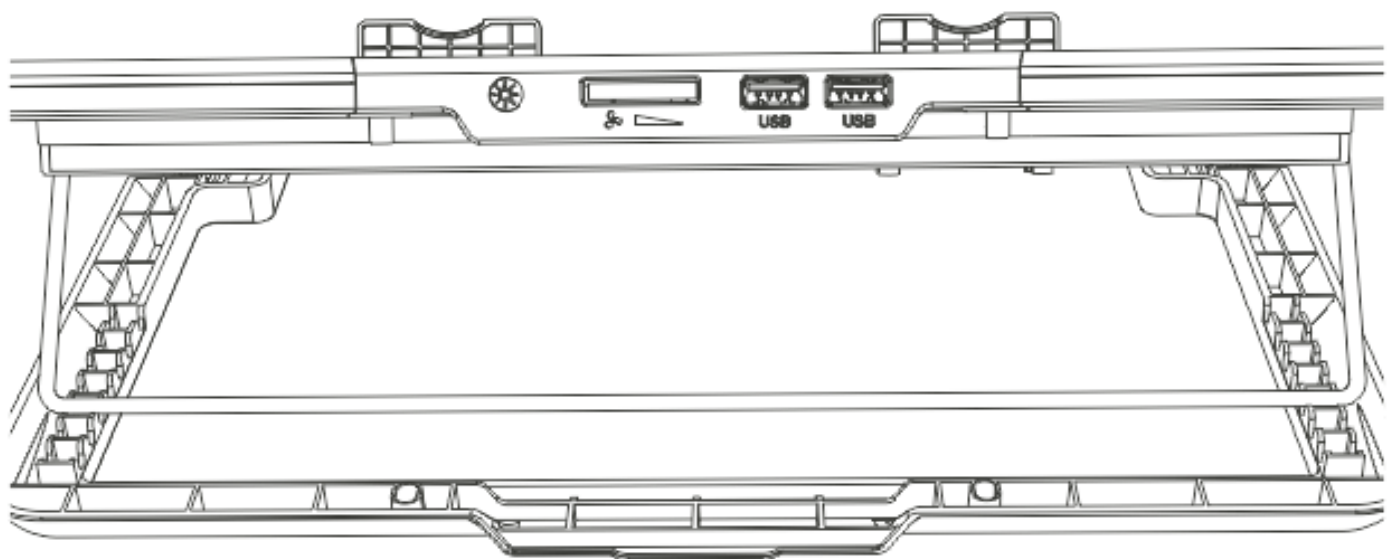
- Press and hold the light button for 3 seconds to turn the light on or off.

## How to Change Light Modes

- Press the light button once to change the lighting mode (there are 10 adjustable modes).

## How to Adjust the Height

- Gently pull the metal stand and adjust it to the locking grooves until the desired tilt angle is reached.
- There are 7 height levels to suit the most comfortable working position.

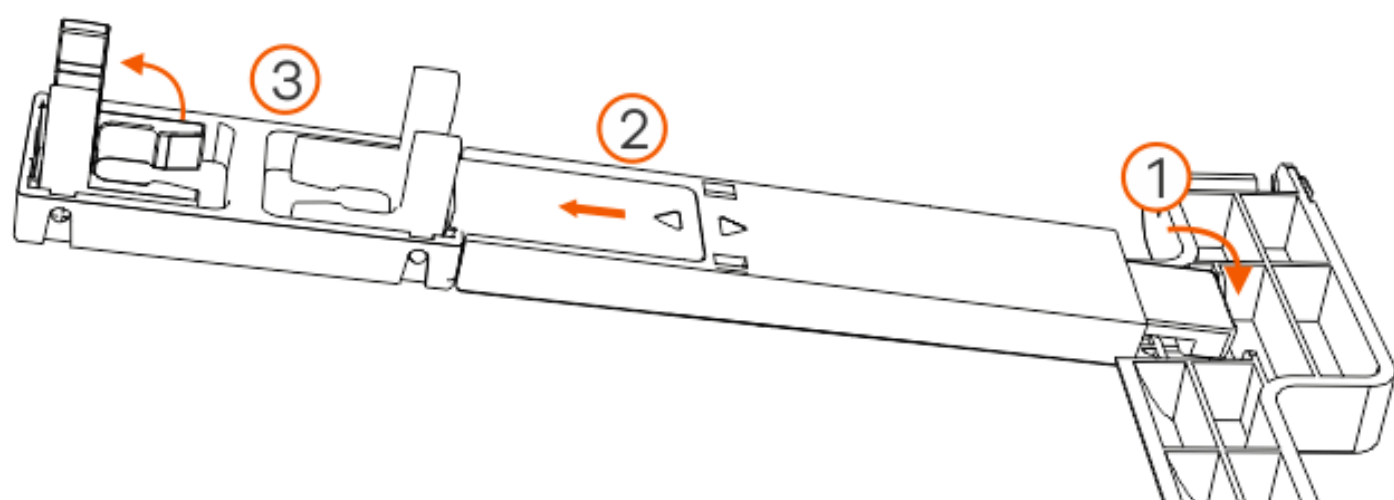


- Make sure the metal stand's support feet are securely locked to keep the laptop stable during use.

## USB Ports

This cooler is equipped with 2 USB ports.

- One USB port is used as the power source to operate the cooler.
- The other USB port can be used for data transfer or to connect a mouse dongle, keyboard, or other devices as needed.



## How to Use the Smartphone Holder

1. Attach the holder to the available slot on the lower right or left side of the fan. Make sure the holder is securely locked.
2. If the holder length is insufficient, pull and adjust it to the desired length.
3. Open the two holder clamps and place the smartphone vertically or horizontally as needed.

## Product Specification :

|                    |                        |
|--------------------|------------------------|
| Material           | : Plastic + Iron Plate |
| Fan Size           | : 60 × 60 × 15 mm      |
| Input              | : DC 5V / 0.95A        |
| Power              | : 4.75 W               |
| Airflow            | : 84.9 CFM             |
| Noise Level        | : 27.6 dB              |
| Weight             | : 0.85 kg              |
| Fan Speed          | : 2200 – 3000 RPM      |
| Product Dimensions | : 360 × 253 × 30 mm    |
| Maximum Load       | : 5 kg                 |

# JETE X

**WARRANTY CARD and  
USER MANUAL**

**COOLER LAPTOP LX1**



e-Usermanual

IMPORTIR

**PT. DORAN SUKSES INDONESIA**

Jl. Lebak Jaya 2 Tengah No. 2, Surabaya

CUSTOMER SERVICE

 081217393609

 jete.id  jeteindonesia

 jeteindonesia  jeteindonesia

## Maintenance :

Please read the following recommendations before using JETE

- Avoid exposing the device to water vapor or humid places. This can affect the internal circuit.
- Do not use cleaning solutions to clean the device.
- Do not expose the device to extreme heat or cold, as this can damage the device or change certain plastic parts.
- Avoid exposing the device to sharp objects, as this can cause scratches and damage.
- Do not disassemble or modify the device.
- Do not drop the device, as this can damage the circuitry.
- Always store the device at room temperature.

## How to Warranty Claim JETE Product :

1. All warranty claims can be made at the list of Authorized Outlets listed on the warranty card.
2. Buyers can come to an authorized Outlet or contact Customer Service +62812-1739-3609 if they want to exchange the product online.
3. All expedition shipping costs / product postage are borne by the buyer.
4. When claiming the warranty, the buyer is MANDATORY to show the completeness of the warranty:
  - A purchase receipt that clearly states the name of the outlet and the date of the transaction.
  - The product must still be within the specified warranty period.
  - Warranty card that has been filled out.
  - Box / Packing Product.
5. Please inform the constraints / product damage that occurs to our staff.
6. WARRANTY DOES NOT APPLY if USER DAMAGE is found, namely:
  - BROKEN, CRACKED, BURNED, DROPPED, MODIFIED BY YOURSELF, SUBMERGED IN WATER.
7. If there are problems during warranty claims or other questions, please contact Customer Service +62812-1739-3609

## Terms and Conditions of Warranty :

1. This warranty is valid for 2 years for original JETE products.
2. This warranty is valid for the warranty period stated on the product packaging since the date of sale.
3. During the warranty period, the user is exempt from any replacement costs that may occur.
4. The user must show the warranty card and purchase receipt when applying for a warranty.
5. The warranty applies to functional damage:
  - Disfunction.
  - Audio not detected.
  - Indicator off.
  - Battery damage.
6. This warranty DOES NOT APPLY if:
  - PRODUCT IS BROKEN, CRACKED, BURNED, FALLEN,
  - MODIFIED YOURSELF, SOAKED IN WATER.
  - Supporting accessories such as: cables, adapters, etc.
  - Abnormal use, not stored properly, natural disasters, modified, or anything intentionally.
  - The product has been repaired by a third party.
  - The data is not filled in completely by the seller and buyer.
  - Damage caused by user error.
  - The product warranty period has expired.

**2 YEARS  
WARRANTY**

NEW REPLACEMENT  
FOR ANY FAULTS \*T&C



Contact Us

**JETE WARRANTY POINTS**

