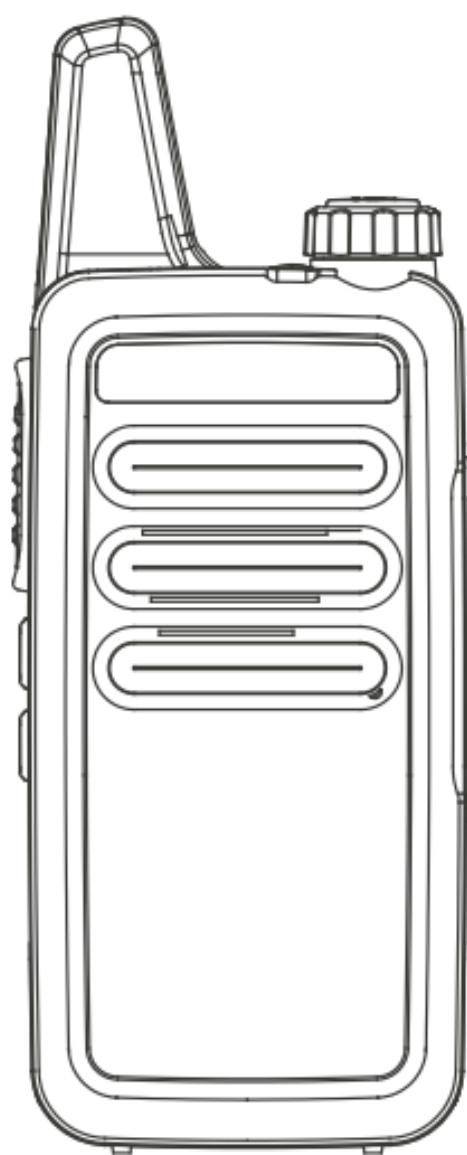


JETE

USER MANUAL

HANDY TALKY H102



IMKG.706.04.2024

Please read the instructions carefully
before using the product.

PRODUCT INTRODUCTION :

Thank you for purchasing JETE products. For optimal and safe performance, it is expected to read the instructions carefully before using this product.

CONTENT PACKAGE :



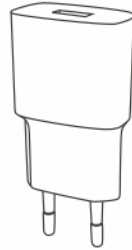
HT



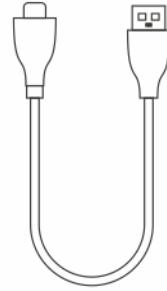
Battery



Strap



Adapter



Charging Cable

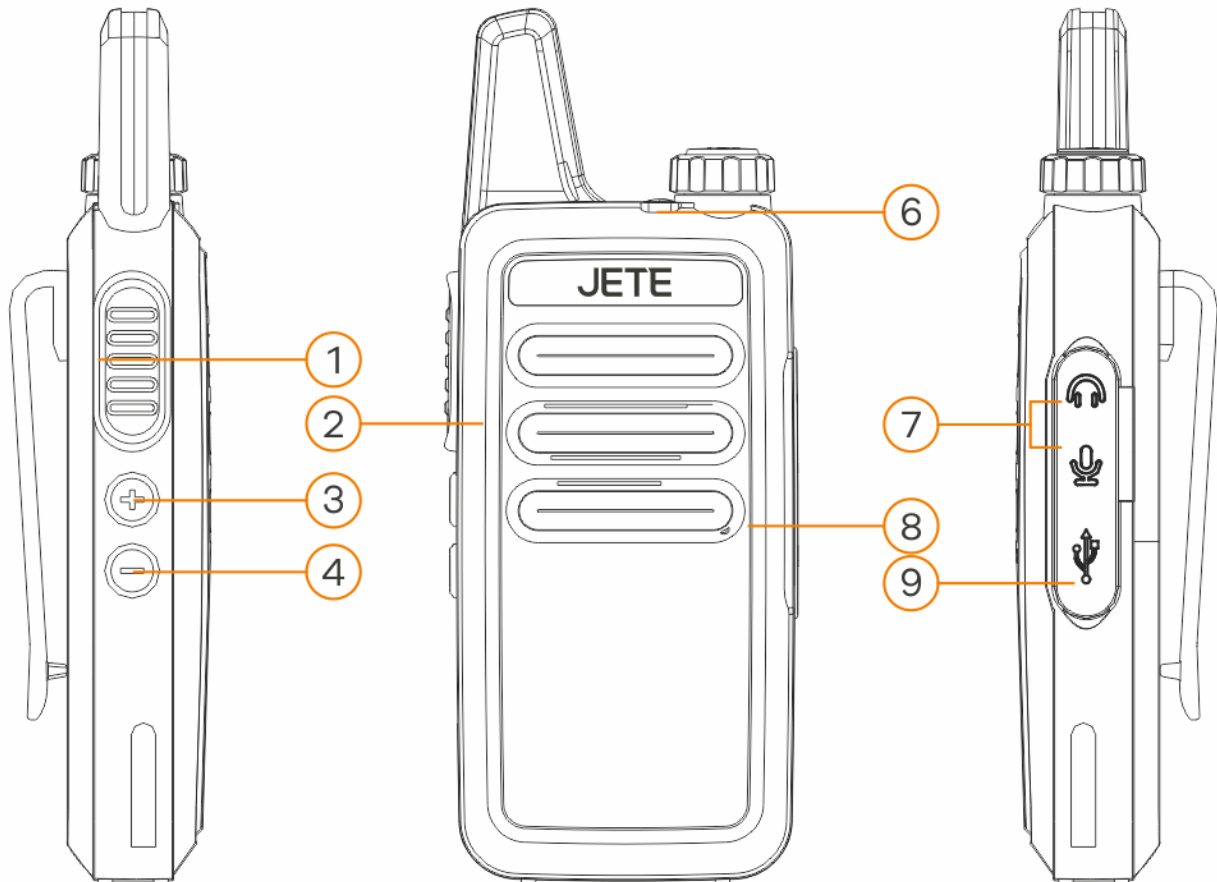
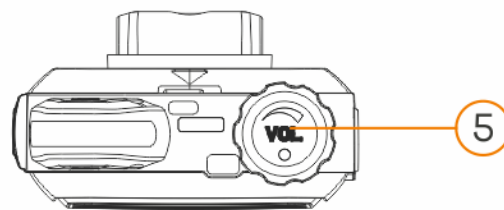


Clip



User Manual

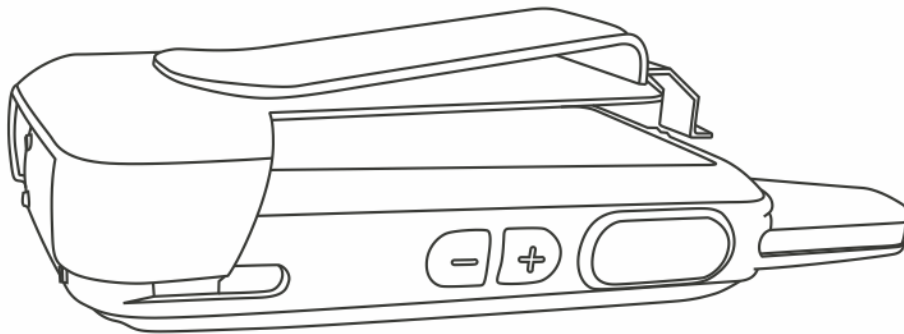
DESCRIPTION STRUCTURE PRODUCT :



1. PTT Button (Push to Talk) : Press this button, then speak into the microphone to transmit. Release the button to receive transmission.
2. Speaker
3. Button +
4. Button -
5. Power/Volume Control Knob : Turn clockwise to power on the device. Turn further to increase the volume. Turn fully counterclockwise to power off the device.
6. LED Indicator : Lights red when transmission is in progress.
7. Accessory Port
8. Microphone
9. Charging Port

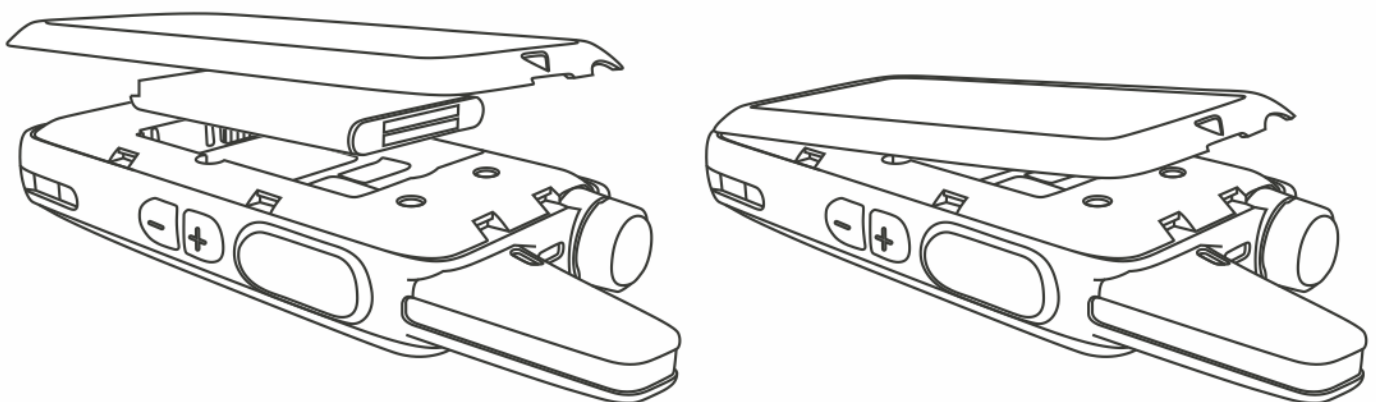
HOW TO ASSEMBLY:

1. Clip:



To attach the clip, align it with the hole on the bottom of the HT and press the top and bottom until you hear a 'click'.

2. Battery:



- Before installing or removing the battery, make sure the device is turned off/inactive by rotating the power knob counterclockwise.
- Align the (+) and (-) pins properly, gently slide the battery from bottom to top following the provided track.
- Once a “click” sound is heard, the battery is properly installed.

BATTERY CHARGING AND MAINTENANCE :

1. Charging the Battery

Follow the steps below to prepare and use the charger :

- Connect the power adapter to an electrical outlet.
- Connect the Type-C cable to the charging port on the HT.
- The indicator will light red while charging is in progress.
- The indicator will light green when charging is complete.

2. Battery Maintenance

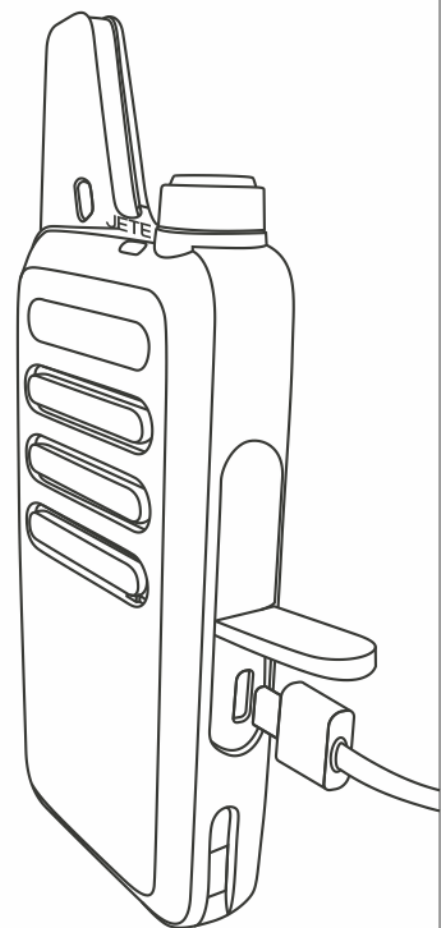
The battery for this device is not pre-charged from the factory.

Please charge for 1.5 hours before first use.

- Use only original batteries.
- Never attempt to disassemble the battery.
- Do not expose the battery to fire or high heat.
- Dispose of the battery according to local recycling regulations.

3. Extending Battery Life

- Charge the battery only at normal room temperature.
- When charging the battery installed in the device, turn off the device for faster charging.
- Do not disconnect the charger or remove the battery and/or device before charging is complete.
- Never charge a wet battery.
- Battery performance decreases at temperatures below freezing. When operating in cold environments, it is recommended to carry spare batteries, preferably inside a jacket or similar place to keep them warm.
- Dust may interfere with battery contacts. If necessary, clean the contacts with a clean cloth to ensure proper contact with the device and charger.



4. Storage

Before storing the device for a long period, ensure the battery is fully charged to prevent damage caused by deep discharge.

To avoid significant battery capacity loss during long-term storage, perform a battery charging cycle at least every six (6) months.

Store the battery in a cool, dry place, and avoid room temperatures exceeding normal levels.

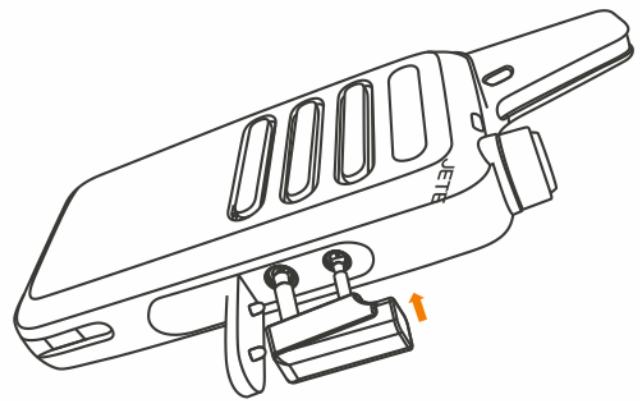
5. If Exposed to Water

If the battery gets wet, remove it from the device, dry it with a towel, and place it in a plastic bag filled with dry rice or silica gel.

Seal the plastic bag and leave it overnight. The rice or silica gel will absorb the remaining moisture in the battery.

6. External Headset

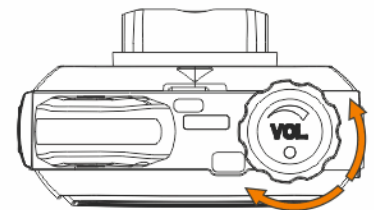
- Remove the accessory port cover on the side of the device.
- Connect the external headset to the provided port.



BASIC FUNCTIONS :

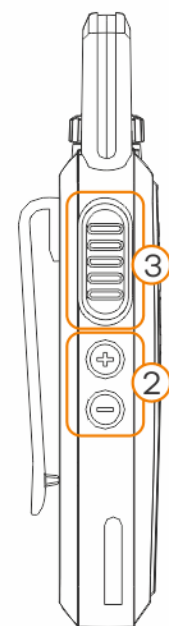
1. How to Turn On the H102

- Turn the power knob clockwise until a click sound is heard.
- Then rotate the power knob further to increase the volume until a sound is heard, indicating the HT is active.
- Select the same channel as the other HT to start communication.
- There are 16 adjustable channels.



2. How to Select a Channel

- Press the + / - button to select channels 1–16.
- When pressing the button, a voice prompt will indicate which channel the HT is on.



3. Transmission

- To start a conversation, press the PTT button and the indicator light will turn red.
- Begin speaking at a distance of approximately 2–3 cm from the microphone.

ADVANCED FUNCTIONS :

1. How to Enable the Auto Scan Feature

- A. Press the (-) button for 2 seconds until the voice indicator says "On".
- B. Wait until the indicator light flashes green, indicating that the HT is scanning.
- C. Press the PTT button on another HT until the indicator on the first HT lights green. This indicates that the pairing process has been successful.

Note : The scan feature will remain active. If there is no transmission for 10 seconds, the first HT will flash green again to rescan frequencies.

2. How to Disable the Auto Scan Feature

- A. Press the (-) button for 2 seconds until the voice indicator says "Off".
- B. This indicates that the automatic scan feature has been successfully deactivated.

3. Voice Prompt

This voice prompt function is used to announce the current settings used on the device.

How to change the language : When the device is turned off, select channel 15, press the PTT button and the (-) button simultaneously, then turn on the device to change the voice language.

4. Voice Operated Transmission (VOX)

VOX allows communication without pressing the PTT button. VOX detects audio input from the microphone and automatically starts transmission. For optimal VOX use, please use external headphones/earphones for direct monitoring.

- a. To enable or disable VOX, select channel 5, press the PTT button and the (-) button simultaneously, then turn on the device.
- b. When using VOX, ensure the VOX setting allows the device to properly recognize voice before starting transmission.

5. Battery Saver

To conserve your device's battery, the battery saver function activates automatically. When the channel is idle and there is no operation (button press or knob rotation) for more than 10 seconds, the battery saver function will activate. The battery saver will turn off when the device performs an operation or receives a transmission.

6. Low Battery Warning

When the device battery is low, a warning tone will sound and the LED indicator on the device will flash red.

7. Busy Channel Lockout (BCL)

Pengunci Saluran Sibuk (Busy Channel Lockout/BCL) berfungsi mencegah interferensi dengan melarang transmisi saat saluran sedang digunakan. Jika tombol [PTT] ditekan ketika ada transmisi lain, perangkat mengeluarkan nada peringatan dan memblokir sinyal hingga saluran kosong. Melepas [PTT] akan menghentikan peringatan dan kembali ke mode penerima.

This feature can only be used with an additional accessory cable and is configured using separate software.

Note : Additional accessories are not included in the purchase package.

8. QT/DQT

QT/DQT can be programmed per channel via software. The squelch opens only when receiving a signal with the same QT/DQT, and remains closed if different, with the indicator lighting green only. Supports 50 CTCSS sub-groups and 105 DCS groups.

A. QT : (50 in Total)

No	Code	No	Code	No	Code	No	Code	No	Code
1	D023N	22	D131N	43	D251N	64	D371N	85	D532N
2	D025N	23	D132N	44	D252N	65	D411N	86	D546N
3	D026N	24	D134N	45	D255N	66	D412N	87	D565N
4	D031N	25	D143N	46	D261N	67	D413N	88	D606N
5	D032N	26	D145N	47	D263N	68	D423N	89	D612N
6	D036N	27	D152N	48	D265N	69	D431N	90	D624N
7	D043N	28	D155N	49	D266N	70	D432N	91	D627N
8	D047N	29	D156N	50	D271N	71	D445N	92	D631N
9	D051N	30	D162N	51	D274N	72	D446N	93	D632N
10	D053N	31	D165N	52	D306N	73	D452N	94	D645N
11	D054N	32	D172N	53	D311N	74	D454N	95	D654N
12	D065N	33	D174N	54	D315N	75	D455N	96	D662N
13	D071N	34	D205N	55	D325N	76	D462N	97	D664N
14	D072N	35	D212N	56	D331N	77	D464N	98	D703N
15	D073N	36	D223N	57	D332N	78	D465N	99	D712N
16	D074N	37	D225N	58	D343N	79	D466N	100	D723N
17	D114N	38	D226N	59	D346N	80	D503N	101	D731N
18	D115N	39	D243N	60	D351N	81	D506N	102	D732N
19	D116N	40	D244N	61	D356N	82	D516N	103	D734N
20	D122N	41	D245N	62	D364N	83	D523N	104	D743N
21	D125N	42	D246N	63	D365N	84	D526N	105	D754N

No	Code	No	Code	No	Code	No	Code	No	Code
1	D023I	22	D131I	43	D251I	64	D371I	85	D532I
2	D025I	23	D132I	44	D252I	65	D411I	86	D546I
3	D026I	24	D134I	45	D255I	66	D412I	87	D565I
4	D031I	25	D143I	46	D261I	67	D413I	88	D606I
5	D032I	26	D145I	47	D263I	68	D423I	89	D612I
6	D036I	27	D152I	48	D265I	69	D431I	90	D624I
7	D043I	28	D155I	49	D266I	70	D432I	91	D627I
8	D047I	29	D156I	50	D271I	71	D445I	92	D631I
9	D051I	30	D162I	51	D274I	72	D446I	93	D632I
10	D053I	31	D165I	52	D306I	73	D452I	94	D645I
11	D054I	32	D172I	53	D311I	74	D454I	95	D654I
12	D065I	33	D174I	54	D315I	75	D455I	96	D662I
13	D071I	34	D205I	55	D325I	76	D462I	97	D664I
14	D072I	35	D212I	56	D331I	77	D464I	98	D703I
15	D073I	36	D223I	57	D322I	78	D465I	99	D712I
16	D074I	37	D225I	58	D343I	79	D466I	100	D723I
17	D114I	38	D226I	59	D346I	80	D503I	101	D731I
18	D115I	39	D243I	60	D351I	81	D506I	102	D732I
19	D116I	40	D244I	61	D356I	82	D516I	103	D734I
20	D122I	41	D245I	62	D364I	83	D523I	104	D743I
21	D125I	42	D246I	63	D365I	84	D526I	105	D754I

B. QT : (50 in Total)

No	Tone (Hz)	No	Tone (Hz)	No	Tone (Hz)	No	Tone (Hz)	No	Tone (Hz)
1	67.0	11	94.8	21	131.8	31	171.3	41	203.5
2	69.3	12	97.4	22	136.5	32	173.8	42	206.5
3	71.9	13	100.0	23	141.3	33	177.3	43	210.7
4	74.4	14	103.5	24	146.2	34	179.9	44	218.1
5	77.0	15	107.2	25	151.4	35	183.5	45	225.7
6	79.7	16	110.9	26	156.7	36	186.2	46	229.1
7	82.5	17	114.8	27	159.8	37	189.9	47	233.6
8	85.4	18	118.8	28	162.2	38	192.8	48	241.8
9	88.5	19	123.0	29	165.5	39	196.6	49	250.3
10	91.5	20	127.3	30	167.9	40	199.5	50	254.1

HT H102 Channel Frequency List :

CH.	RX Freq (MHZ)	CTC/DCS DEC	TX Freq (MHZ)	CTC/DCS ENC
1	462.125000	69.3	462.125000	69.3
2	462.225000	OFF	462.225000	OFF
3	462.325000	OFF	462.325000	OFF
4	462.425000	103.5	462.425000	103.5
5	462.525000	114.8	462.525000	114.8
6	462.625000	127.3	462.625000	127.3
7	462.725000	136.5	462.725000	136.5
8	462.825000	162.2	462.825000	162.2
9	463.025000	D025N	463.025000	D025N
10	463.025000	D051N	463.025000	D051N
11	463.125000	D125N	463.125000	D125N
12	463.225000	D155I	463.225000	D155I
13	463.225000	D465I	463.225000	D465I
14	463.325000	D023N	463.325000	D023N
15	469.925000	OFF	469.925000	OFF
16	469.950000	203.5	469.950000	203.5

PRODUCT SPECIFICATIONS:

Wireless Range	: 3 KM (No Obstacle)
Sensitivity	: 105±3dB (@1kHz)
Battery	: 1800mAh
Microphone Sensitivity	: -42dB
Frequency	: 400–470MHz
Input	: DC 3.7V
Charging Time	: 1.5 Hours
Weight	: 95g

MAINTENANCE :

Please read the following recommendations before using JETE products:

- Avoid exposing the device to moisture or damp conditions. This can affect the internal circuitry.
- Do not use cleaning solutions to clean the device.
- Do not expose the device to extreme heat or cold temperatures. This may damage the device or alter certain plastic parts.
- Avoid exposing the device to sharp objects. This may cause scratches and damage.
- Do not disassemble or modify the device.
- Do not drop the device. This may damage the internal circuitry.
- Always store the device at room temperature.

How to Warranty Claim JETE Product :

1. All warranty claims must be made at the Authorized Service Centers listed on the warranty card.
2. Customers may visit an Authorized Service Center or contact Customer Service at 0812-1739-3609 for online product exchange inquiries.
3. All shipping costs shall be borne by the customer.
4. When making a warranty claim, the customer **MUST** present the following:
 - A purchase receipt clearly stating the outlet name and transaction date.
 - The product must still be within the specified warranty period.
 - A completed warranty card.
 - The original product box and packaging.
5. Please inform our staff of the specific issue or damage to the product.
6. **WARRANTY IS VOID** if damage is found to be caused by:
 - Breakage, cracks, burns, drops, self-modification, or water damage.
7. For any inquiries or issues regarding warranty claims, please contact Customer Service at 0812-1739-3609.

JETE

**WARRANTY CARD and
USER MANUAL**

HANDY TALKY H102



e-Usermanual

IMPORTIR

PT. DORAN SUKSES INDONESIA

Jl. Lebak Jaya 2 Tengah No. 2, Surabaya

CUSTOMER SERVICE



jete.id



jeteindonesia



jeteindonesia



jeteindonesia

Date :

Name :

Phone No. :

Address :

Model :

Shop :

Terms and Conditions of Warranty :

1. This warranty is valid for 2 years for original JETE products.
2. This warranty is valid for the warranty period stated on the product packaging since the date of sale.
3. During the warranty period, the user is exempt from any replacement costs that may occur.
4. The user must show the warranty card and purchase receipt when applying for a warranty.
5. The warranty applies to functional damage:
 - Disfunction.
 - Audio not detected.
 - Indicator off.
 - Battery damage.
6. This warranty DOES NOT APPLY if:
 - PRODUCT IS BROKEN, CRACKED, BURNED, FALLEN,
 - MODIFIED YOURSELF, SOAKED IN WATER.
 - Supporting accessories such as: cables, adapters, etc.
 - Abnormal use, not stored properly, natural disasters, modified, or anything intentionally.
 - The product has been repaired by a third party.
 - The data is not filled in completely by the seller and buyer.
 - Damage caused by user error.
 - The product warranty period has expired.

**2 YEARS
WARRANTY**



Contact Us

JETE WARRANTY POINTS

