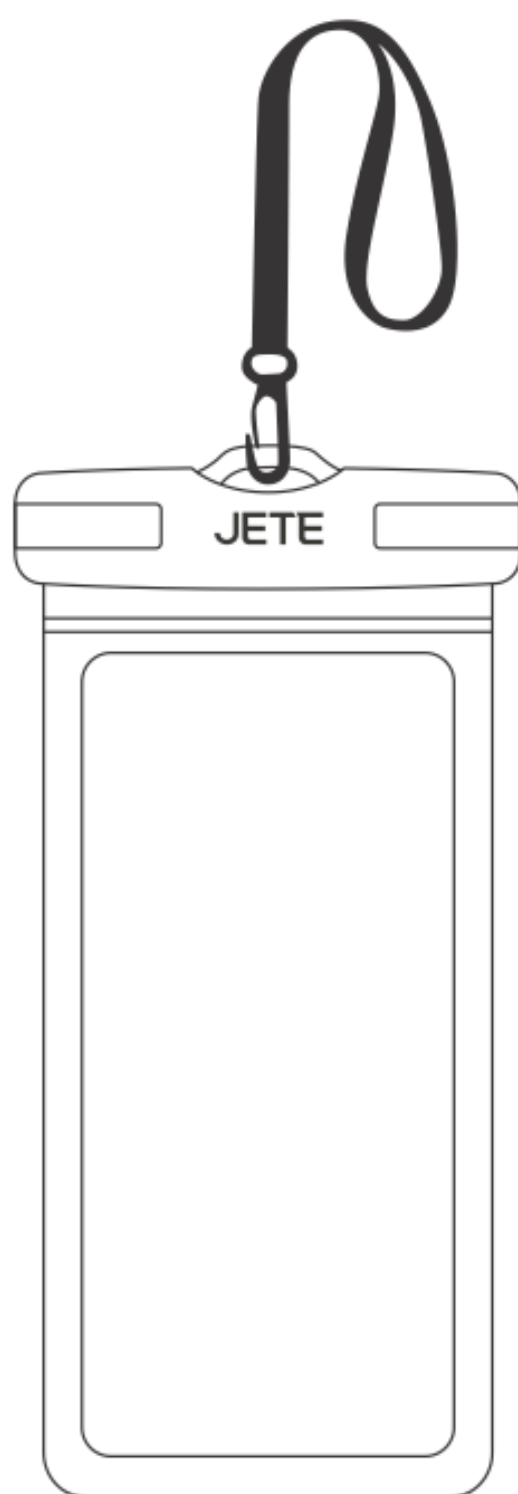


# JETE

## USER MANUAL

### WATERPROOF BAG POUCH WT1



Please read the instructions carefully before using the product.

**2 YEARS  
WARRANTY**

NEW REPLACEMENT  
FOR ANY FAULTS \*T&C



Contact Us

**JETE WARRANTY POINTS**



## Maintenance :

Please read the following recommendations before using JETE

- Avoid exposing the device to water vapor or humid places. This can affect the internal circuit.
- Do not use cleaning solutions to clean the device.
- Do not expose the device to extreme heat or cold, as this can damage the device or change certain plastic parts.
- Avoid exposing the device to sharp objects, as this can cause scratches and damage.
- Do not disassemble or modify the device.
- Do not drop the device, as this can damage the circuitry.
- Always store the device at room temperature.

# JETE

**WARRANTY CARD and  
USER MANUAL**

**WATERPROOF BAG POUCH WT1**



e-Usermanual

IMPORTIR

**PT. DORAN SUKSES INDONESIA**

Jl. Lebak Jaya 2 Tengah No. 2, Surabaya

CUSTOMER SERVICE



081217393609



jete.id



jeteindonesia

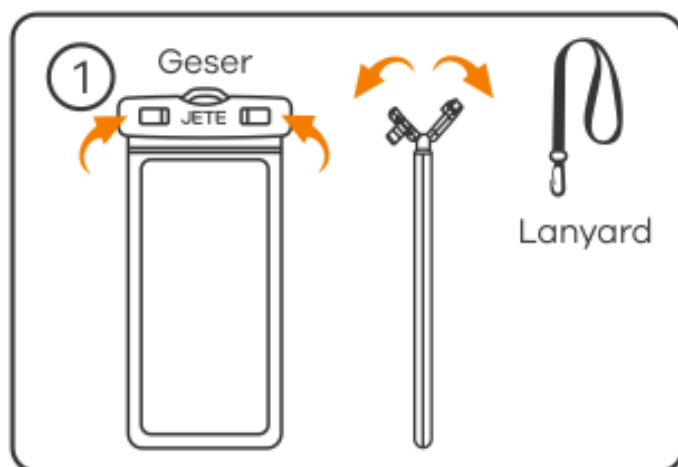


jeteindonesia

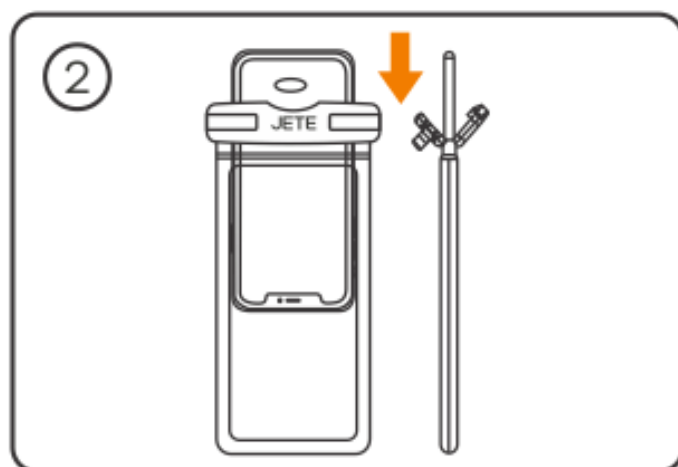


jeteindonesia

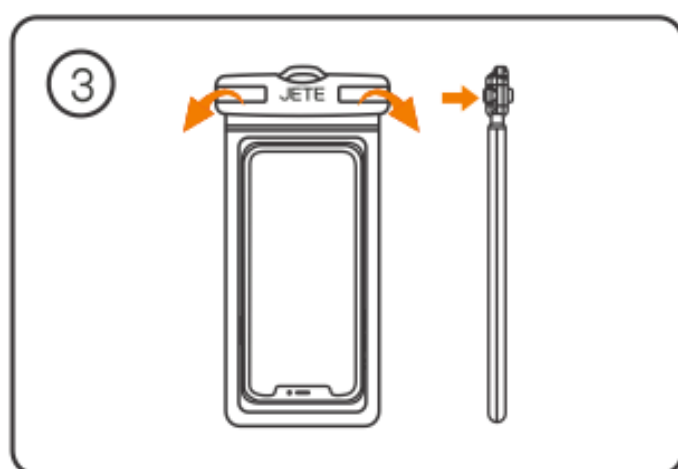
## How to Use :



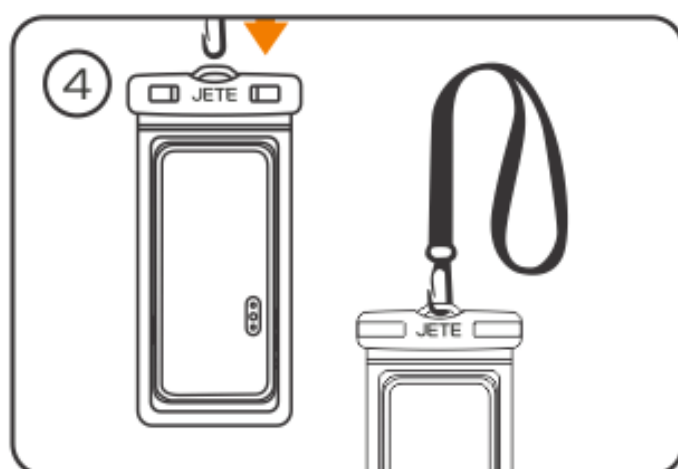
1. Slide both sides of the lever to the 'Open' position, then take out all the contents inside.



2. Insert the phone into the WT1 (with the camera facing down).



3. Return the lever to its initial position and lock it.



4. Insert the hook into the lanyard hole.

### Note :

- Make sure the WT1 is not damaged. Insert a dry tissue, soak for 30 minutes. If the tissue remains dry, the pouch is safe to use for your phone.
- After use, position the WT1 facing down and dry it first to prevent water from entering when you take out the phone.

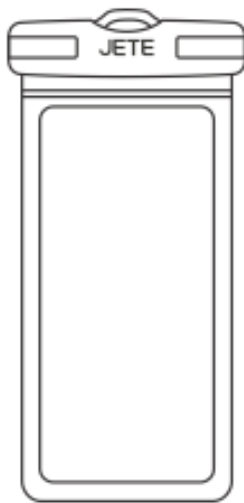
## Spesification :

|              |              |
|--------------|--------------|
| Model        | : WT1        |
| Material     | : TPU-ABS    |
| Size         | : 22*11.5 cm |
| Waterproof   | : IPX8       |
| Maximum Size | : 7.2 inch   |

## Introduction Product :

Thank you for purchasing JETE product for optimal and safe performance, expected to read the instructions well before running this product.

## Content Package :



WT1



Lanyard



User Manual

## Description Structure Product :

