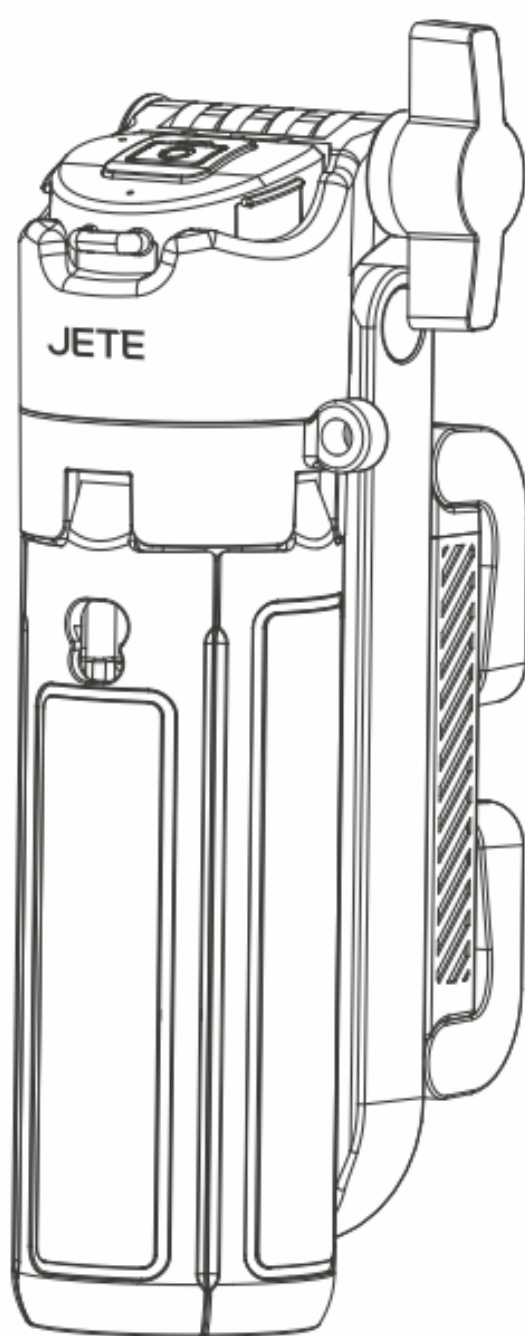


# JETE

## USER MANUAL TRIPOD STAND H19

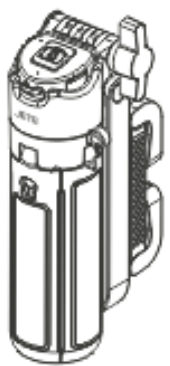


Please read the instructions carefully  
before using the product

## Product Introduction :

Thank you for purchasing JETE products. For optimal and safe performance, it is expected to read the instructions carefully before using this product.

## Content Package :



H19

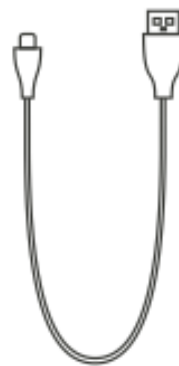


Strap



Karabiner

Remote



Charging  
Cable



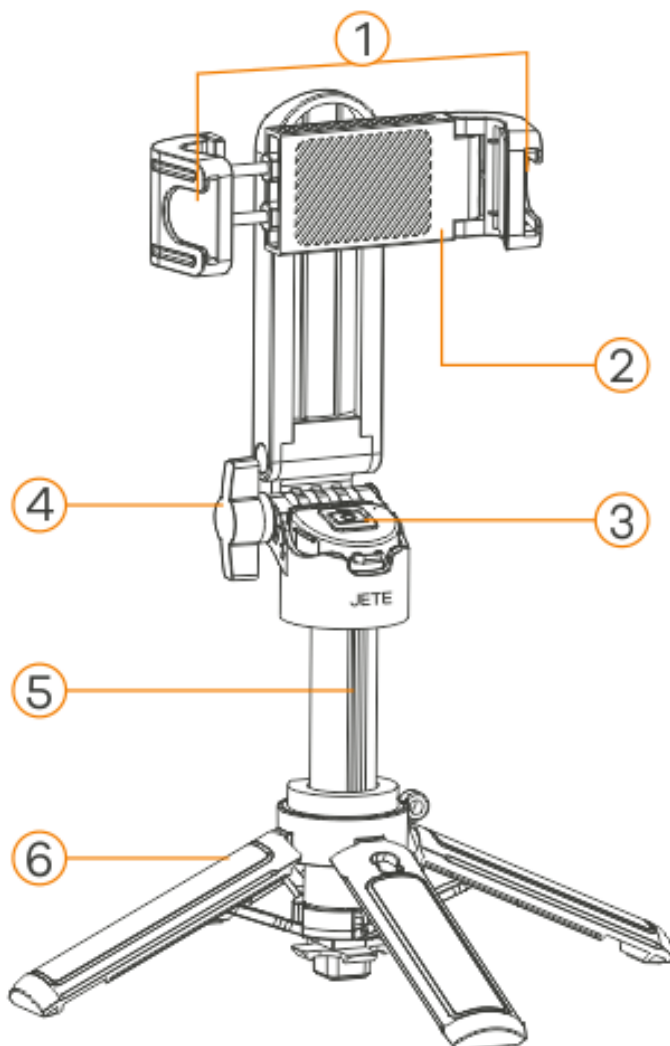
Tripod  
Bag



JETE  
Warranty Card

User  
Manual

## Description Structure Product :



1. Cold Shoe
2. Holder
3. Remote
4. Hinges
5. Sections
6. Tripod Legs

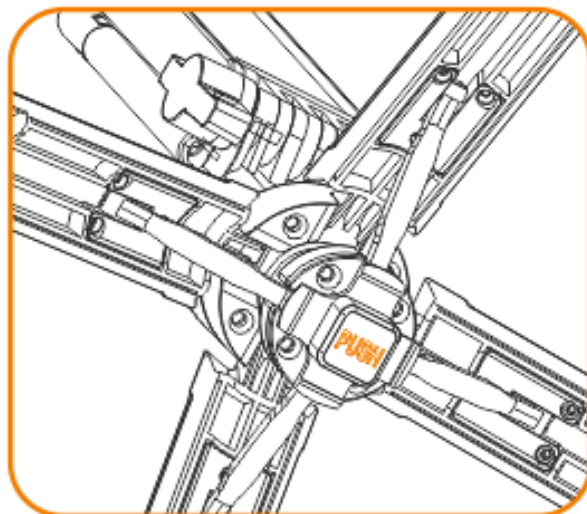
## Cara Penggunaan :

### Tripod

Press the "PUSH" button at the bottom to open it.

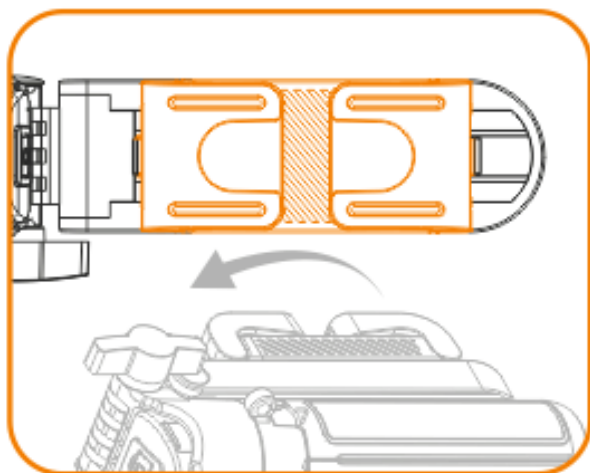


Press and open the Holder to use as a tripod.

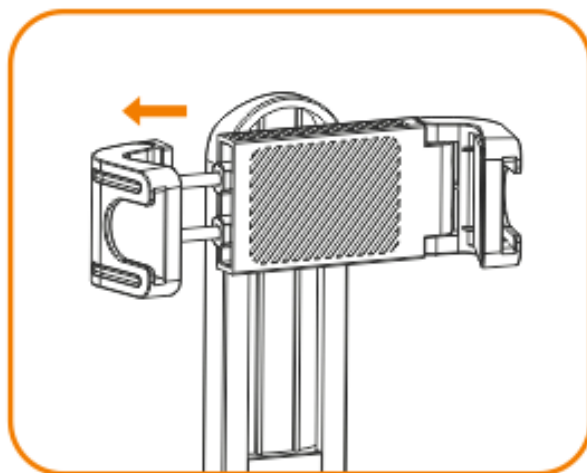


### Holder Handphone

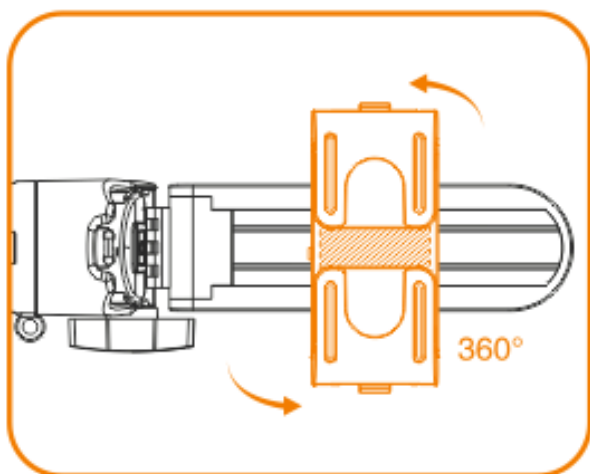
Open the holder on the tripod to mount your phone.



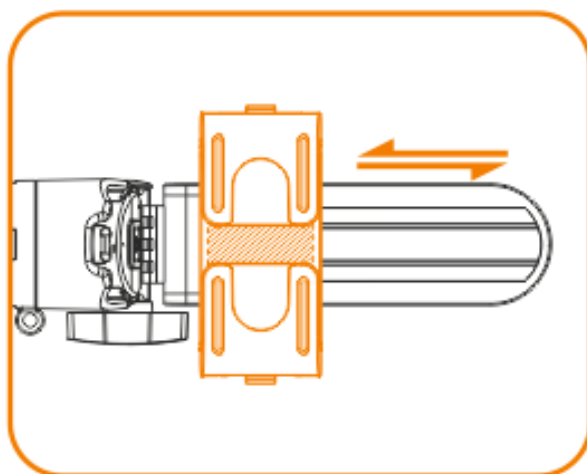
Pull the holder clip to mount the phone on the holder.



Rotate the holder to adjust the direction of the phone on the tripod.

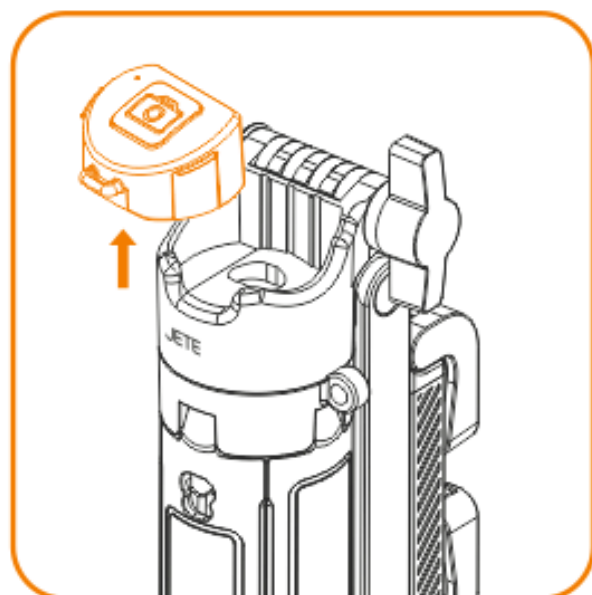


Adjust the holder to the high or low position on the tripod.

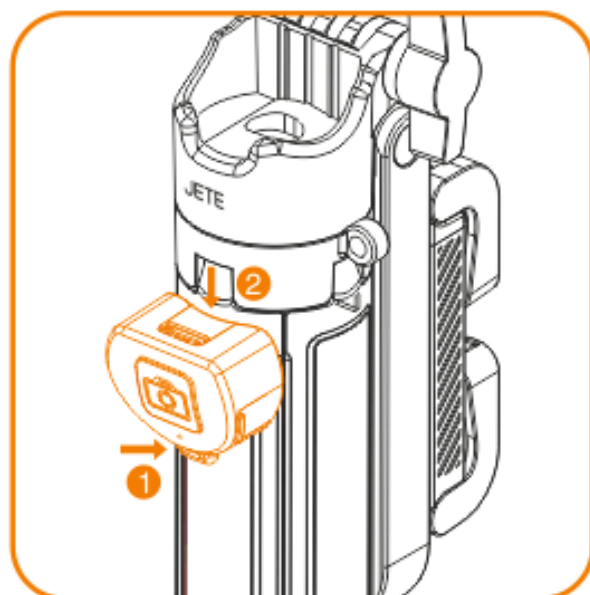


## Bluetooth Remot Kamera

To remove the camera remote from the inside of the tripod, pull up on the camera remote.

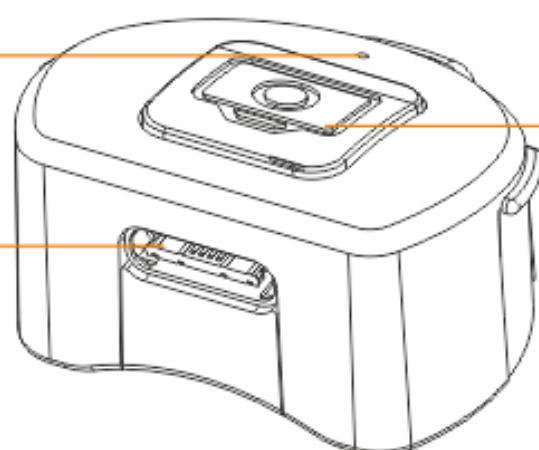


To mount the camera remote on the tripod, align and insert the protrusion into the hole on the tripod.



Light  
Indicator

Port  
Type-C



Camera  
Button

### How to Connect the Device with the Remote :

1. Activate Bluetooth on the device.
2. Press and hold the camera button on the remote for 3 seconds to activate the remote. The indicator will blink, signaling that the remote is in search mode.
3. Activate the search function on the device and select "JETE-H19." The indicator on the remote will turn off, which means the remote is already connected to the device.

4. Activate the camera function on your phone and press the camera button to take a photo or record a video.
5. Press and hold the camera button for 3 seconds to turn off the camera remote.

### **Spesification :**

Model	: H19
Bluetooth	: V5.2
Material	: ABS+Aluminum
Maximum Heigh	: 11.7cm-43cm
Folded Height	: 117mm
Weight	: 137g
Battery Capacity	: 55mAh
Remote Range	: 10m

# JETE

**WARRANTY CARD and  
USER MANUAL**

**TRIPOD STAND H19**



e-Usermanual

**IMPORTIR**

**PT. DORAN SUKSES INDONESIA**

Jl. Lebak Jaya 2 Tengah No. 2, Surabaya

**CUSTOMER SERVICE**

 **081217393609**

 [jete.id](http://jete.id)  [jeteindonesia](https://www.instagram.com/jeteindonesia)

 [jeteindonesia](https://www.facebook.com/jeteindonesia)  [jeteindonesia](https://www.twitter.com/jeteindonesia)

## Maintenance :

Please read the following recommendations before using JETE

- Avoid exposing the device to water vapor or humid places. This can affect the internal circuit.
- Do not use cleaning solutions to clean the device.
- Do not expose the device to extreme heat or cold, as this can damage the device or change certain plastic parts.
- Avoid exposing the device to sharp objects, as this can cause scratches and damage.
- Do not disassemble or modify the device.
- Do not drop the device, as this can damage the circuitry.
- Always store the device at room temperature.

## How to Warranty Claim JETE Product :

1. All warranty claims can be made at the list of Authorized Outlets listed on the warranty card.
2. Buyers can come to an authorized Outlet or contact Customer Service +62812-1739-3609 if they want to exchange the product online.
3. All expedition shipping costs / product postage are borne by the buyer.
4. When claiming the warranty, the buyer is **MANDATORY** to show the completeness of the warranty:
  - A purchase receipt that clearly states the name of the outlet and the date of the transaction.
  - The product must still be within the specified warranty period.
  - Warranty card that has been filled out.
  - Box / Packing Product.
5. Please inform the constraints / product damage that occurs to our staff.
6. **WARRANTY DOES NOT APPLY** if **USER DAMAGE** is found, namely:
  - **BROKEN, CRACKED, BURNED, DROPPED, MODIFIED BY YOURSELF, SUBMERGED IN WATER.**
7. If there are problems during warranty claims or other questions, please contact Customer Service +62812-1739-3609

## Terms and Conditions of Warranty :

1. This warranty is valid for 2 years for original JETE products.
2. This warranty is valid for the warranty period stated on the product packaging since the date of sale.
3. During the warranty period, the user is exempt from any replacement costs that may occur.
4. The user must show the warranty card and purchase receipt when applying for a warranty.
5. The warranty applies to functional damage:
  - Disfunction.
  - Audio not detected.
  - Indicator off.
  - Battery damage.
6. This warranty DOES NOT APPLY if:
  - PRODUCT IS BROKEN, CRACKED, BURNED, FALLEN,
  - MODIFIED YOURSELF, SOAKED IN WATER.
  - Supporting accessories such as: cables, adapters, etc.
  - Abnormal use, not stored properly, natural disasters, modified, or anything intentionally.
  - The product has been repaired by a third party.
  - The data is not filled in completely by the seller and buyer.
  - Damage caused by user error.
  - The product warranty period has expired.

**2 YEARS  
WARRANTY**

**NEW REPLACEMENT  
FOR ANY FAULTS \*T&C**



Contact Us

**JETE WARRANTY POINTS**

