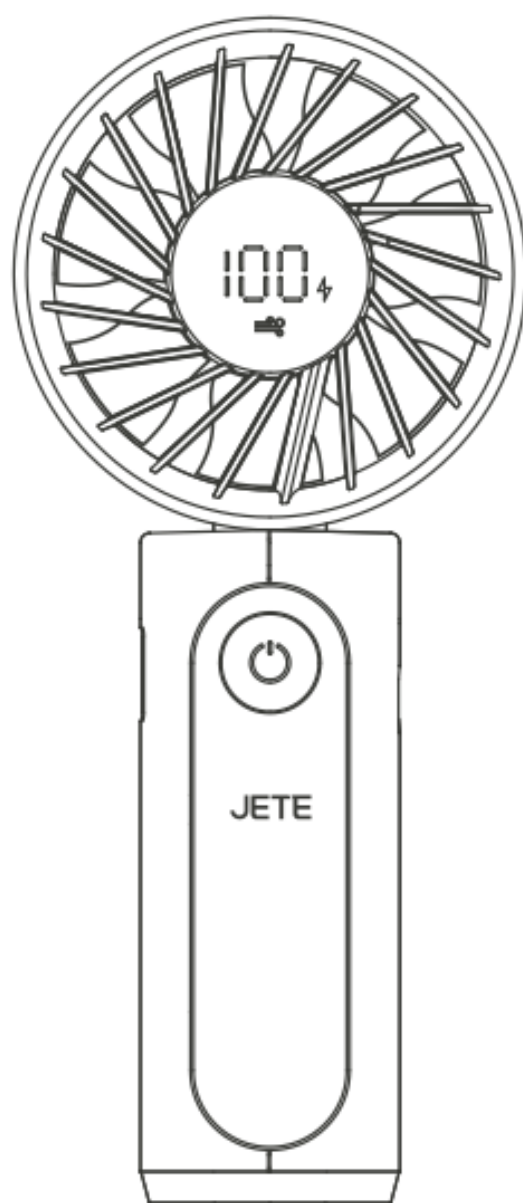


JETE

USER MANUAL

PORTABLE FAN SF6



IMKG.2107.09.2020

Please read the instructions carefully
before using the product.

Product Introduction :

Thank you for purchasing JETE products. For optimal and safe performance, it is expected to read the instructions carefully before using this product.

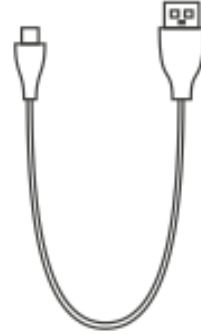
Content Package :



SF6



Strap

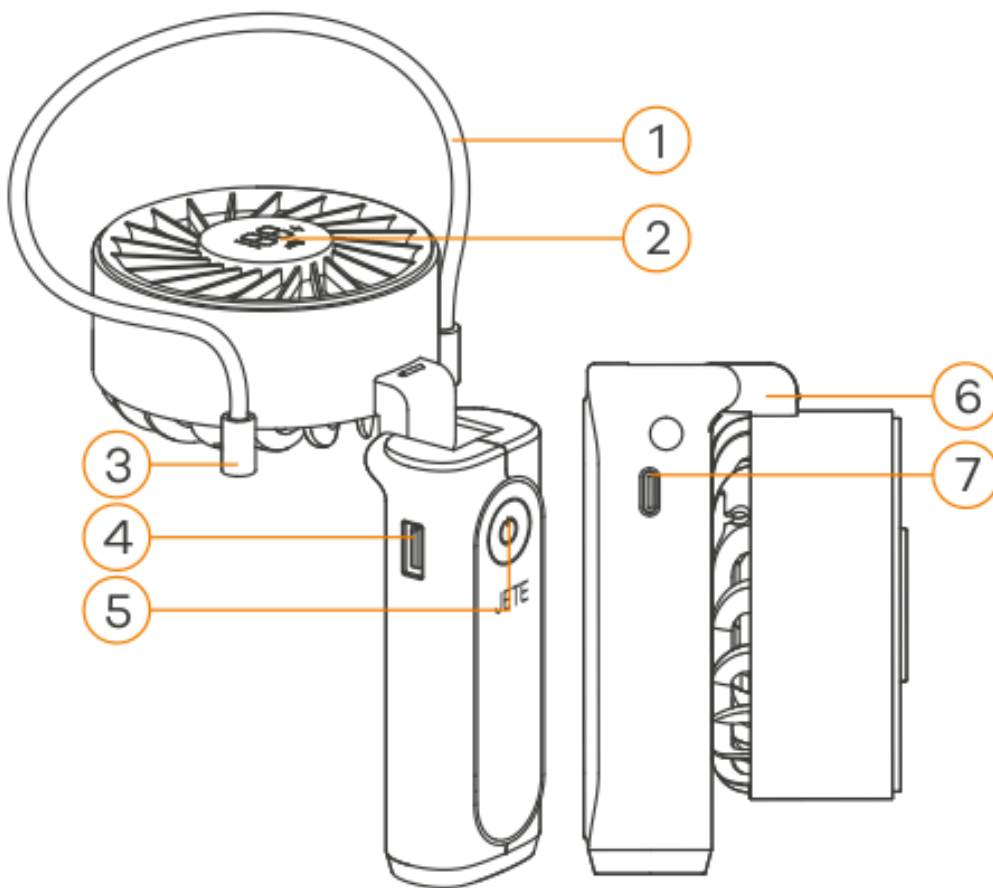


Cable Charger



User Manual

Description Structure Product :



1. Strap

2. LED Display

4. USB Port

6. Hinge

3. Slot Strap

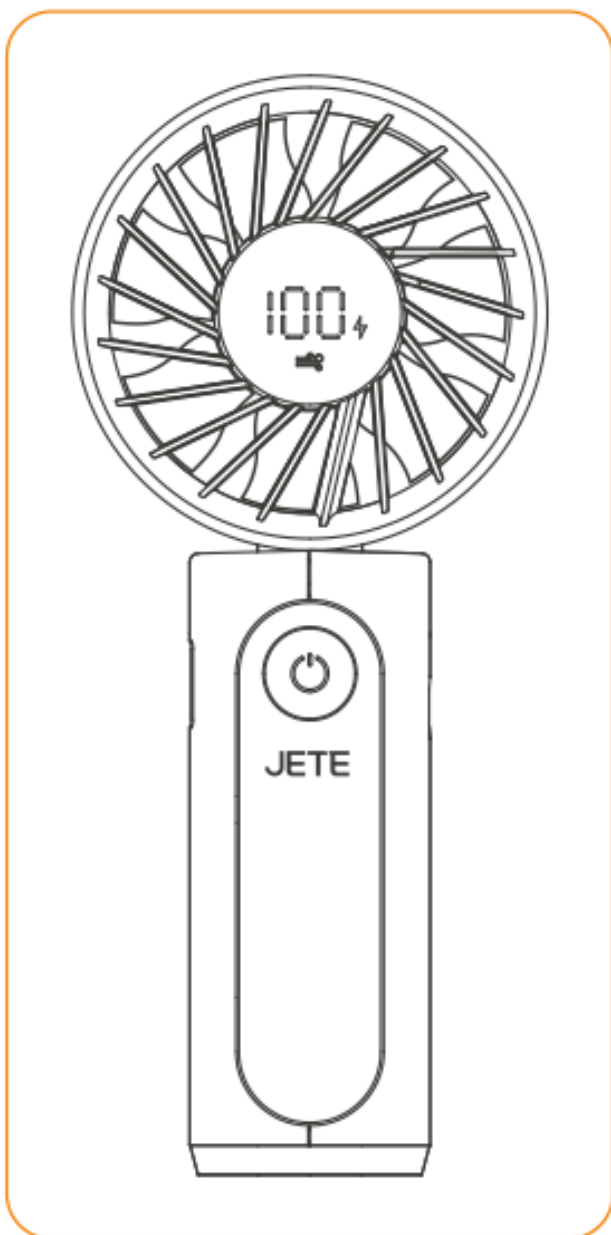
5. Power Button

7. Type-C Port

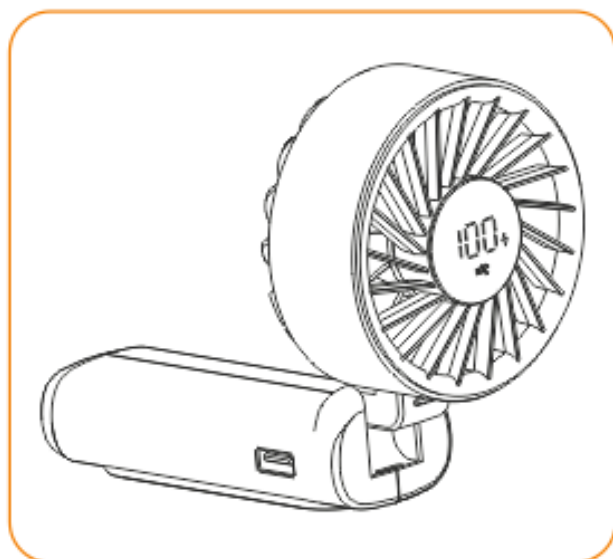
Tips :

- Regular use of the fan is the easiest maintenance you can do.
- It is recommended to turn on the fan at a medium speed to prevent it from getting damaged quickly.

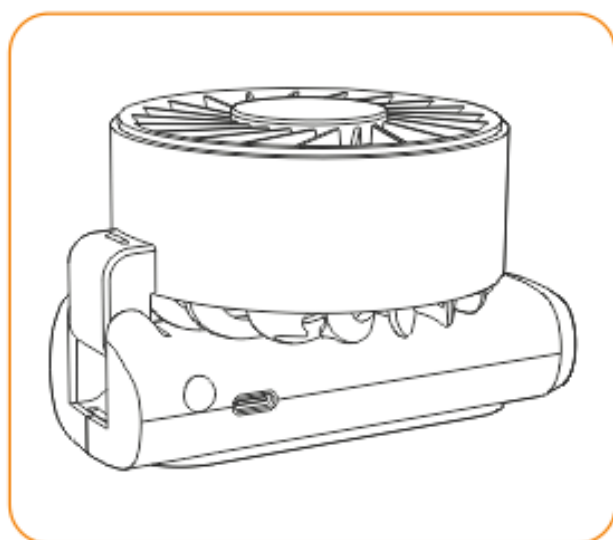
How to Use :



Full Display View



Desktop View



Storage View

Turning On the Fan :

This product has 6 speed options :

- Press the power button once, the LED display will show each fan speed level.

- At any level, press and hold the power button for 2 seconds to turn off the fan directly.

Notes:

After 3 seconds, the LED Display will show the remaining battery percentage.

How to Charge :

- It is recommended to use a Type-C cable with a DC 5V charging adapter.
- A green lightning icon on the LED screen indicates that the battery is charging and will light up with the number 100% when charging is complete.

Powerbank Usage :

This fan is equipped with a power bank feature so it can be used to charge other devices portably.

Spesification :

Voltase	: 3.7V
Battery	: 3600mAh
Input	: DC 5V/1A
Output Power	: 5W
Output USB-A	: DC 5V/1A
Working Time	: Level 6 2.5 H Level 5 3.5 H Level 4 5 H Level 3 6.5 H Level 2 9 H Level 1 11 H
Charging Time	: 5 H
Material	: ABS+PC
Weight	: 218g

JETE

**WARRANTY CARD and
USER MANUAL**

PORTABLE FAN SF6



e-Usermanual

IMPORTIR

PT. DORAN SUKSES INDONESIA

Jl. Lebak Jaya 2 Tengah No. 2, Surabaya

CUSTOMER SERVICE

 081217393609

 jete.id  jeteindonesia

 jeteindonesia  jeteindonesia

Maintenance :

Please read the following recommendations before using JETE

- Avoid exposing the device to water vapor or humid places. This can affect the internal circuit.
- Do not use cleaning solutions to clean the device.
- Do not expose the device to extreme heat or cold, as this can damage the device or change certain plastic parts.
- Avoid exposing the device to sharp objects, as this can cause scratches and damage.
- Do not disassemble or modify the device.
- Do not drop the device, as this can damage the circuitry.
- Always store the device at room temperature.

How to Warranty Claim JETE Product :

1. All warranty claims can be made at the list of Authorized Outlets listed on the warranty card.
2. Buyers can come to an authorized Outlet or contact Customer Service +62812-1739-3609 if they want to exchange the product online.
3. All expedition shipping costs / product postage are borne by the buyer.
4. When claiming the warranty, the buyer is MANDATORY to show the completeness of the warranty:
 - A purchase receipt that clearly states the name of the outlet and the date of the transaction.
 - The product must still be within the specified warranty period.
 - Warranty card that has been filled out.
 - Box / Packing Product.
5. Please inform the constraints / product damage that occurs to our staff.
6. WARRANTY DOES NOT APPLY if USER DAMAGE is found, namely:
 - BROKEN, CRACKED, BURNED, DROPPED, MODIFIED BY YOURSELF, SUBMERGED IN WATER.
7. If there are problems during warranty claims or other questions, please contact Customer Service +62812-1739-3609

Terms and Conditions of Warranty :

1. This warranty is valid for 2 years for original JETE products.
2. This warranty is valid for the warranty period stated on the product packaging since the date of sale.
3. During the warranty period, the user is exempt from any replacement costs that may occur.
4. The user must show the warranty card and purchase receipt when applying for a warranty.
5. The warranty applies to functional damage:
 - Disfunction.
 - Audio not detected.
 - Indicator off.
 - Battery damage.
6. This warranty DOES NOT APPLY if:
 - PRODUCT IS BROKEN, CRACKED, BURNED, FALLEN,
 - MODIFIED YOURSELF, SOAKED IN WATER.
 - Supporting accessories such as: cables, adapters, etc.
 - Abnormal use, not stored properly, natural disasters, modified, or anything intentionally.
 - The product has been repaired by a third party.
 - The data is not filled in completely by the seller and buyer.
 - Damage caused by user error.
 - The product warranty period has expired.

**2 YEARS
WARRANTY**

**NEW REPLACEMENT
FOR ANY FAULTS *T&C**



Contact Us

JETE WARRANTY POINTS

