

JETE

**WARRANTY CARD and
USER MANUAL**

PORTABLE TRIPOD STAND H15



e-Usermanual

IMPORTIR

PT. DORAN SUKSES INDONESIA

Jl. Lebak Jaya 2 Tengah No. 2, Surabaya

CUSTOMER SERVICE

 **081217393609**

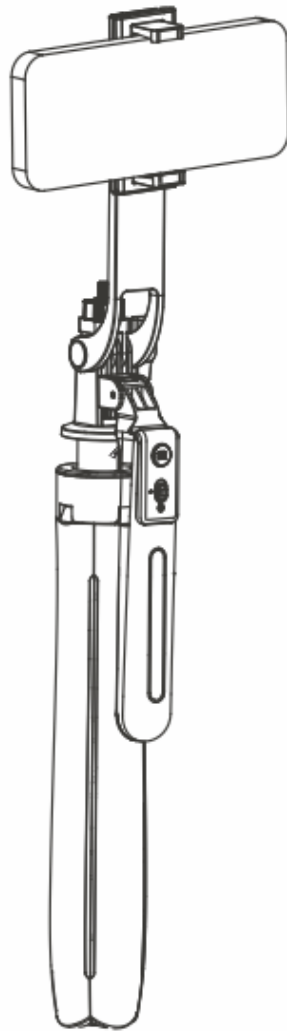
 jete.id  [jeteindonesia](https://www.instagram.com/jeteindonesia)

 [jeteindonesia](https://www.facebook.com/jeteindonesia)  [jeteindonesia](https://www.twitter.com/jeteindonesia)

JETE

USER MANUAL

PORTABLE TRIPOD STAND H15



Mohon bacalah instruksi dengan teliti
sebelum menggunakan produk

Product Introduction :

Thank you for purchasing JETE products. For optimal and safe performance, it is expected to read the instructions carefully before using this product.

Content Package :



H15



Camera
Remote



Charging
Cable



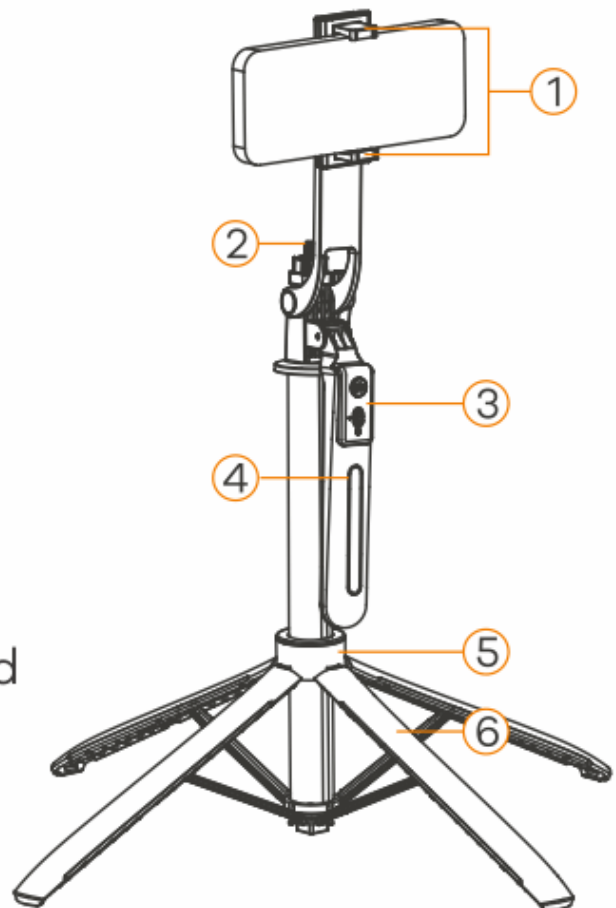
Tripod
Bag



User
Manual

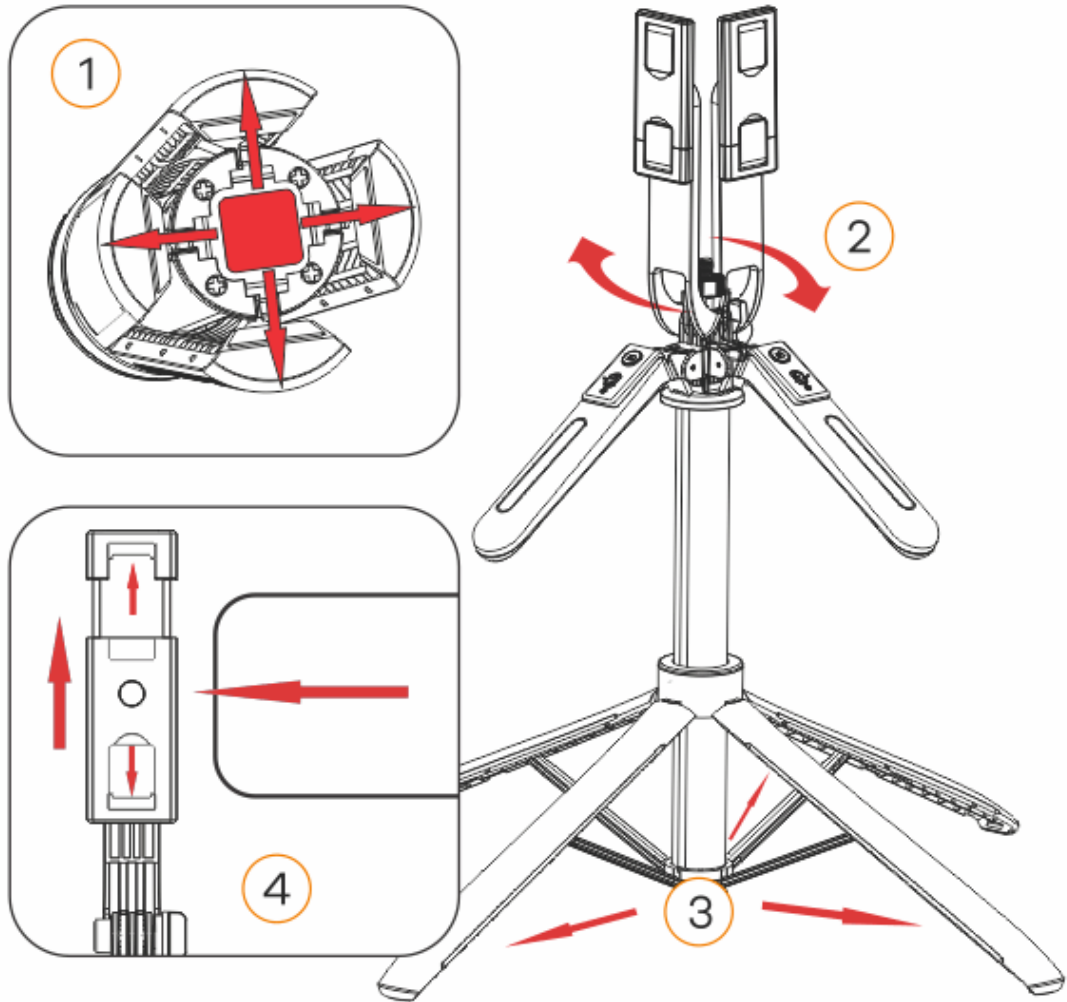
Description Structure Product :

1. Holder
2. Screw
3. Remote
4. Handle
5. Section Monopod
6. Tripod Stand

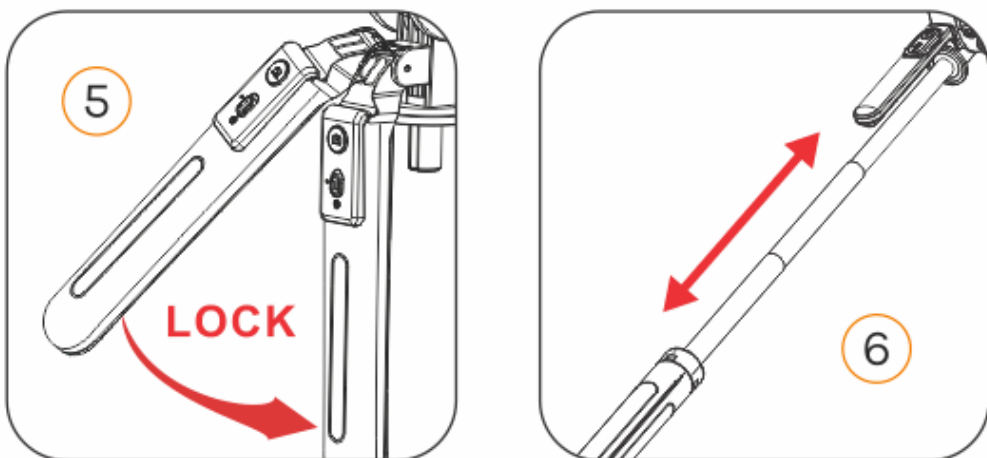


How to Use :

Tripod :

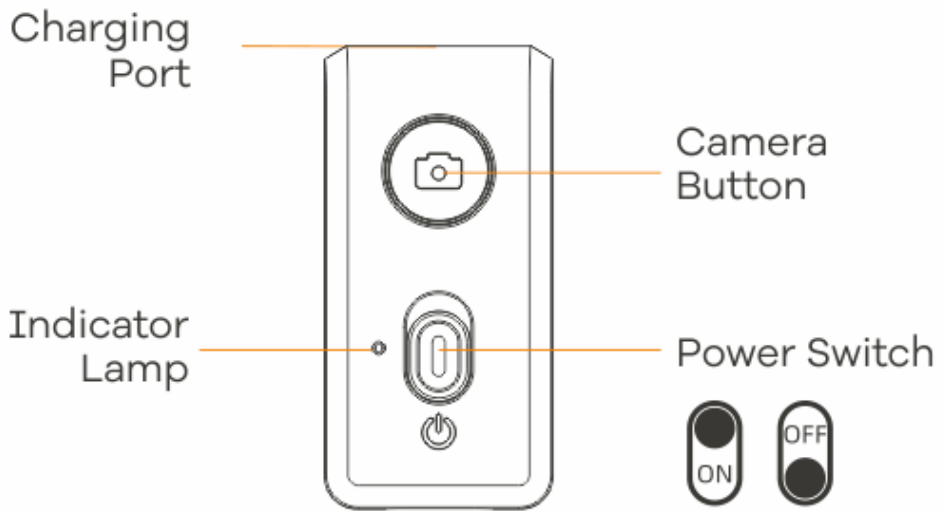


1. Press the "PUSH" button at the bottom to open the device.
2. 360° panorama rotation is enabled.
3. Ensure the surface on which the device is placed is level and stable.
4. Open the phone clip and firmly clamp your phone in place.



1. Secure the handle in the downward position.
2. Extend the selfie stick and take a photo.

Bluetooth Remote Camera :



1. Enable Bluetooth on your device.
2. Slide the power switch upwards to turn on the remote. The indicator will blink white, indicating that the remote has entered pairing mode.
3. Activate the search function on your device and select "JETE-H15". The indicator on the remote will turn off, indicating that the remote has been paired with the device.
4. Activate the camera function on your phone and press the camera button to take a photo or video recording.
5. Slide the power switch downwards to turn off the camera remote.

Spesification :

Model	: H15
Material	: Aluminium Alloy
Diameter	: 30mm
Height when bent	: 440mm
Max weight pressure	: 500g
Head type	: 3 Section
Section Number	: 8
Number Legs	: 4
Height Min	: 33cm
Height Max	: 180cm
Weight	: 400g

Maintenance :

Please read the following recommendations before using JETE

- Avoid exposing the device to water vapor or humid places. This can affect the internal circuit.
- Do not use cleaning solutions to clean the device.
- Do not expose the device to extreme heat or cold, as this can damage the device or change certain plastic parts.
- Avoid exposing the device to sharp objects, as this can cause scratches and damage.
- Do not disassemble or modify the device.
- Do not drop the device, as this can damage the circuitry.
- Always store the device at room temperature.

How to Warranty Claim JETE Product :

1. All warranty claims can be made at the list of Authorized Outlets listed on the warranty card.
2. Buyers can come to an authorized Outlet or contact Customer Service +62812-1739-3609 if they want to exchange the product online.
3. All expedition shipping costs / product postage are borne by the buyer.
4. When claiming the warranty, the buyer is MANDATORY to show the completeness of the warranty:
 - A purchase receipt that clearly states the name of the outlet and the date of the transaction.
 - The product must still be within the specified warranty period.
 - Warranty card that has been filled out.
 - Box / Packing Product.
5. Please inform the constraints / product damage that occurs to our staff.
6. WARRANTY DOES NOT APPLY if USER DAMAGE is found, namely:
 - BROKEN, CRACKED, BURNED, DROPPED, MODIFIED BY YOURSELF, SUBMERGED IN WATER.
7. If there are problems during warranty claims or other questions, please contact Customer Service +62812-1739-3609

Terms and Conditions of Warranty :

1. This warranty is valid for 2 years for original JETE products.
2. This warranty is valid for the warranty period stated on the product packaging since the date of sale.
3. During the warranty period, the user is exempt from any replacement costs that may occur.
4. The user must show the warranty card and purchase receipt when applying for a warranty.
5. The warranty applies to functional damage:
 - Disfunction.
 - Audio not detected.
 - Indicator off.
 - Battery damage.
6. This warranty DOES NOT APPLY if:
 - PRODUCT IS BROKEN, CRACKED, BURNED, FALLEN,
 - MODIFIED YOURSELF, SOAKED IN WATER.
 - Supporting accessories such as: cables, adapters, etc.
 - Abnormal use, not stored properly, natural disasters, modified, or anything intentionally.
 - The product has been repaired by a third party.
 - The data is not filled in completely by the seller and buyer.
 - Damage caused by user error.
 - The product warranty period has expired.

**2 YEARS
WARRANTY**

NEW REPLACEMENT
FOR ANY FAULTS *T&C



Contact Us

JETE WARRANTY POINTS

