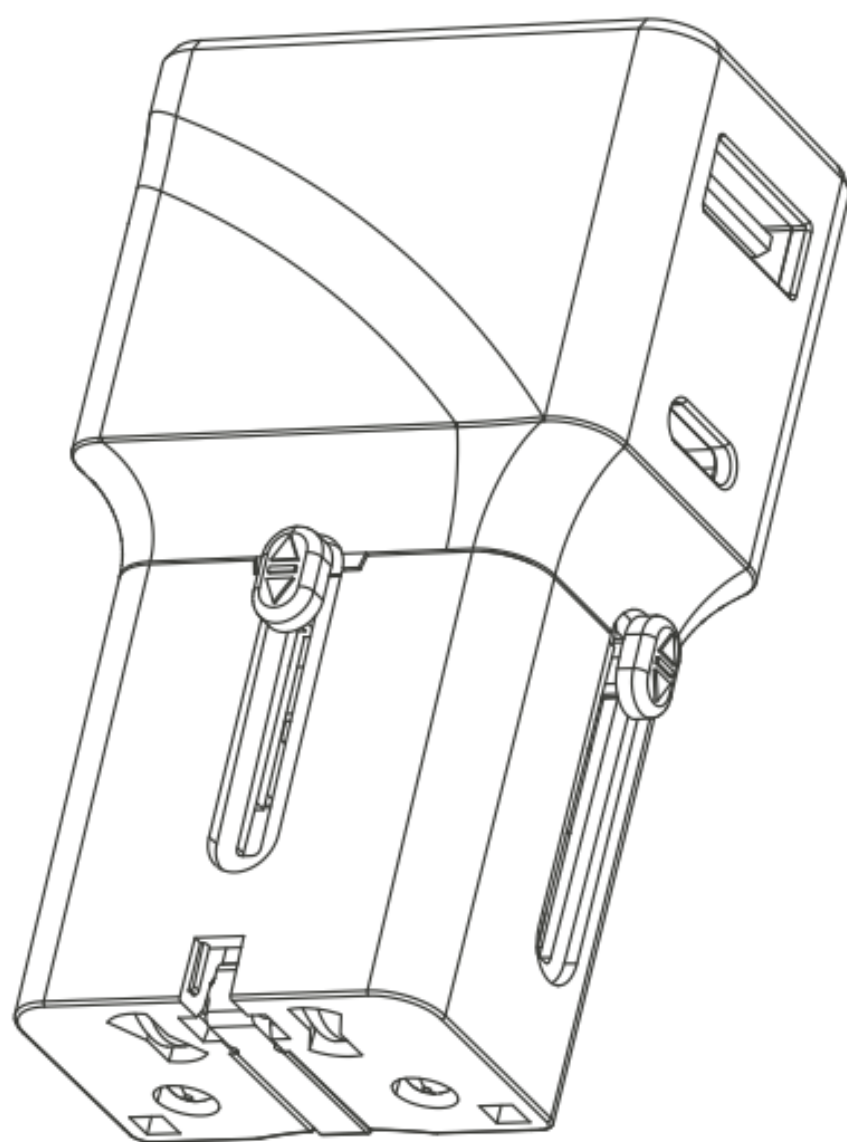


JETE

USER MANUAL

ADAPTOR CN5

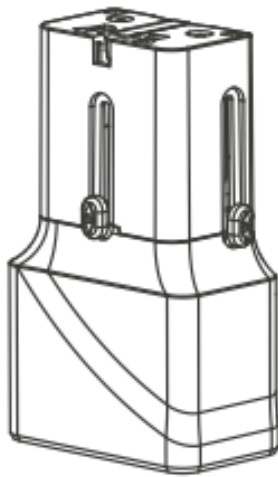


Please read the instructions carefully
before using the product.

Product Introduction :

Thank you for purchasing JETE products. For optimal and safe performance, it is expected to read the instructions carefully before using this product.

Content Package :

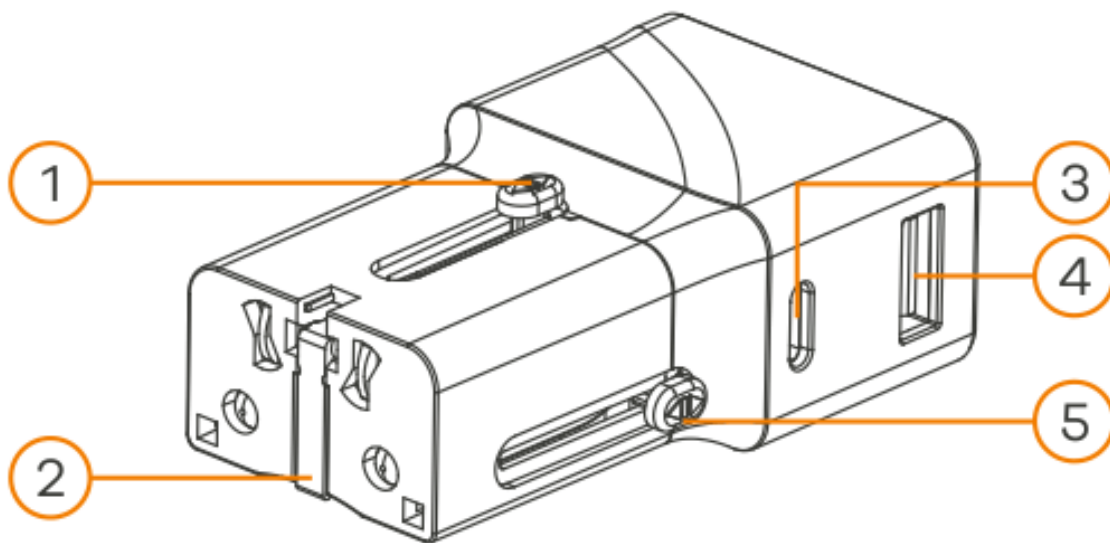


CN5



User Manual

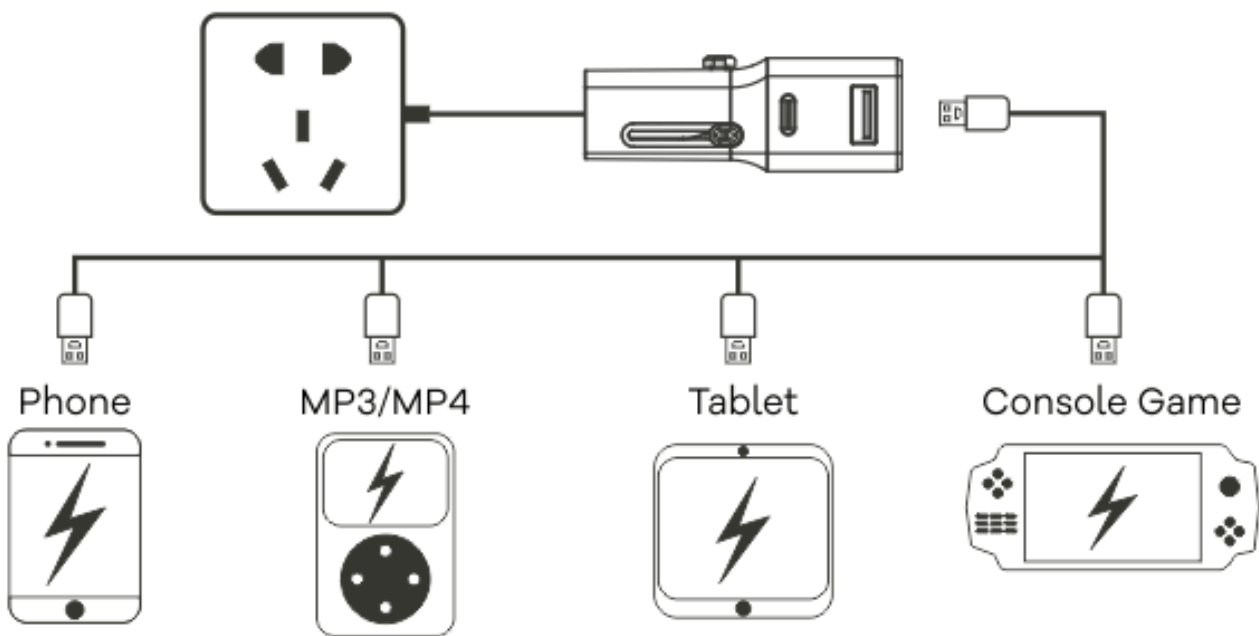
Deskripsi Struktur Produk :



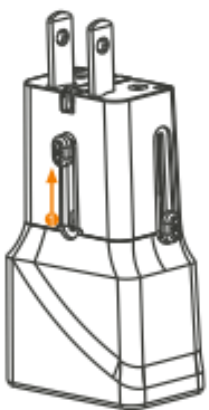
1. Kenob US/AU
2. Toggle Slider UK
3. Port Type-C
4. Port USB-A
5. Kenob EU/UK

Product Features :

- Supports over 150 countries with US/EU/UK/AU plugs.
- Equipped with a shutter protector to protect users from direct contact with parts of the socket.
- Only one plug can be used at a time by sliding one of the knobs; the other knobs will automatically lock.

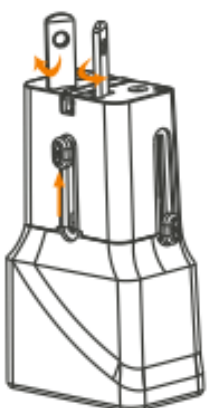


Types of Charger Plugs :



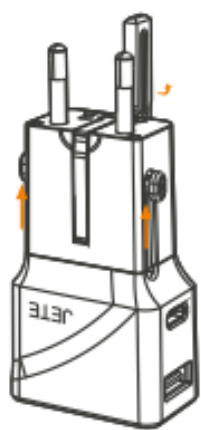
USA 🇺🇸 🇺🇸

Slide the USA knob as shown. Make sure the plug shape is straight.



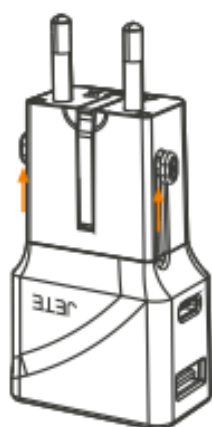
Australia/New Zealand 🇺🇸 🇺🇸

Slide the USA/AUS knob to use the plug as shown. Make sure the plug shape is rotated to the position shown.



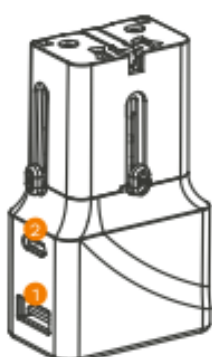
United Kingdom

Slide the EU knob and then open the UK toggle slider.



Europe

Slide the EU knob as shown.

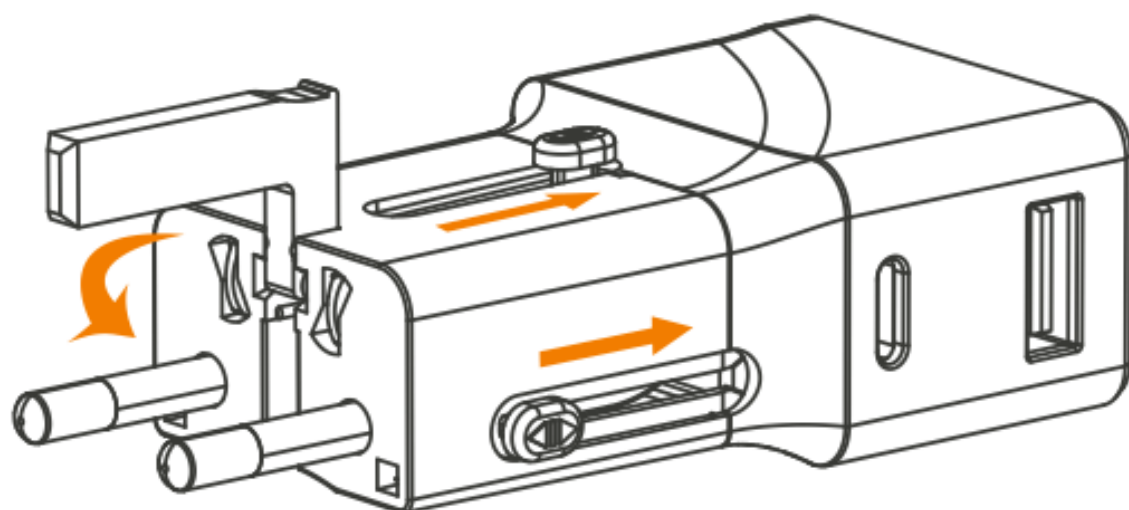


USB

1. Port USB-A
2. Port USB-C

How to Return the Plug to its Original Position:

Press the knob and slide it back to the initial position.



Please Note:

- Before using this product, please read these instructions! This product cannot change the voltage. To avoid possible damage to your device or other items, please ensure the main power voltage is suitable for your device before using this adapter.
- Every country has its own regulations for using adapters like this. Please check each country's regulations before you use this adapter.

Specification :

Model	: CN5
Input	: 100-240V 50/60Hz 0.8A
Output	: 25W Max
USB-C Output	: DC 3.3-11V/2.25A (PPS) 5V/3A 9V/2.77A DC 12V/2.08A (25W)
USB-A Output	: DC 5V/3A 9V/2A 12V/1.5A (18W)
USB-C+USB-A Output	: 15W Max
Size	: 42*25.4*70.2mm
Weight	: 64g

JETE

**WARRANTY CARD and
USER MANUAL**

ADAPTOR CN5



e-Usermanual

IMPORTIR

PT. DORAN SUKSES INDONESIA

Jl. Lebak Jaya 2 Tengah No. 2, Surabaya

CUSTOMER SERVICE

 081217393609

 jete.id  jeteindonesia

 jeteindonesia  jeteindonesia

Maintenance :

Please read the following recommendations before using JETE

- Avoid exposing the device to water vapor or humid places. This can affect the internal circuit.
- Do not use cleaning solutions to clean the device.
- Do not expose the device to extreme heat or cold, as this can damage the device or change certain plastic parts.
- Avoid exposing the device to sharp objects, as this can cause scratches and damage.
- Do not disassemble or modify the device.
- Do not drop the device, as this can damage the circuitry.
- Always store the device at room temperature.

How to Warranty Claim JETE Product :

1. All warranty claims can be made at the list of Authorized Outlets listed on the warranty card.
2. Buyers can come to an authorized Outlet or contact Customer Service +62812-1739-3609 if they want to exchange the product online.
3. All expedition shipping costs / product postage are borne by the buyer.
4. When claiming the warranty, the buyer is **MANDATORY** to show the completeness of the warranty:
 - A purchase receipt that clearly states the name of the outlet and the date of the transaction.
 - The product must still be within the specified warranty period.
 - Warranty card that has been filled out.
 - Box / Packing Product.
5. Please inform the constraints / product damage that occurs to our staff.
6. **WARRANTY DOES NOT APPLY** if **USER DAMAGE** is found, namely:
 - **BROKEN, CRACKED, BURNED, DROPPED, MODIFIED BY YOURSELF, SUBMERGED IN WATER.**
7. If there are problems during warranty claims or other questions, please contact Customer Service +62812-1739-3609

Terms and Conditions of Warranty :

1. This warranty is valid for 2 years for original JETE products.
2. This warranty is valid for the warranty period stated on the product packaging since the date of sale.
3. During the warranty period, the user is exempt from any replacement costs that may occur.
4. The user must show the warranty card and purchase receipt when applying for a warranty.
5. The warranty applies to functional damage:
 - Disfunction.
 - Audio not detected.
 - Indicator off.
 - Battery damage.
6. This warranty DOES NOT APPLY if:
 - PRODUCT IS BROKEN, CRACKED, BURNED, FALLEN,
 - MODIFIED YOURSELF, SOAKED IN WATER.
 - Supporting accessories such as: cables, adapters, etc.
 - Abnormal use, not stored properly, natural disasters, modified, or anything intentionally.
 - The product has been repaired by a third party.
 - The data is not filled in completely by the seller and buyer.
 - Damage caused by user error.
 - The product warranty period has expired.

**2 YEARS
WARRANTY**

**NEW REPLACEMENT
FOR ANY FAULTS *T&C**



Contact Us

JETE WARRANTY POINTS

