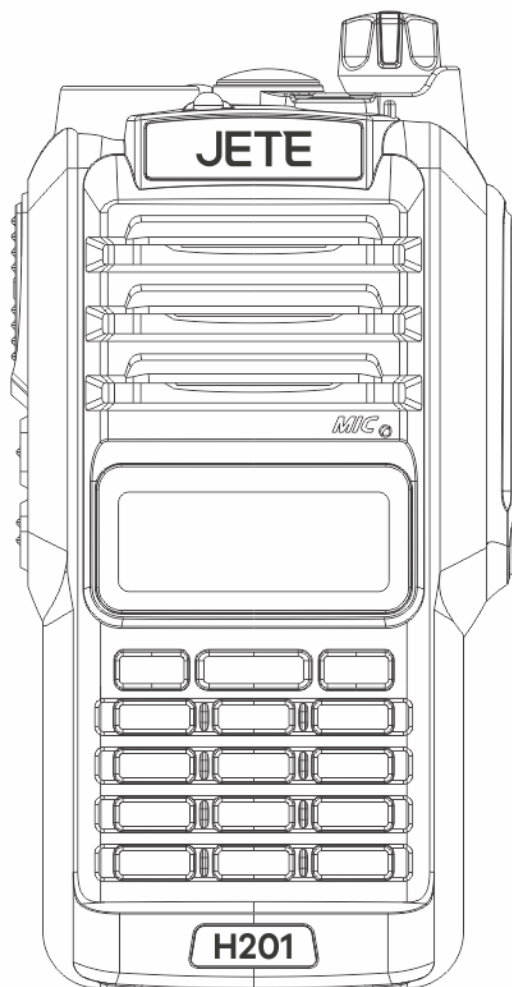


# JETE

## USER MANUAL

### HANDY TALKY H201



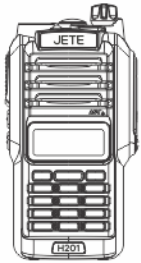
**IMKG.888.05.2024**

Please read the instructions carefully  
before using the product.

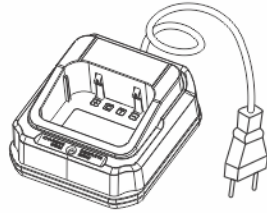
## Product Introduction :

Thank you for purchasing a JETE product. For optimal performance and safety, please read these instructions carefully before using this product.

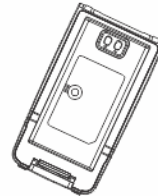
## Package Content :



HT



Charging dock



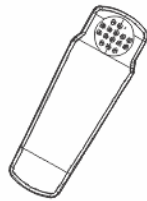
Belt clip



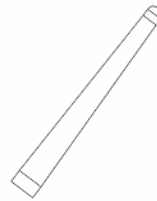
User Manual



Strap



Battery Pack

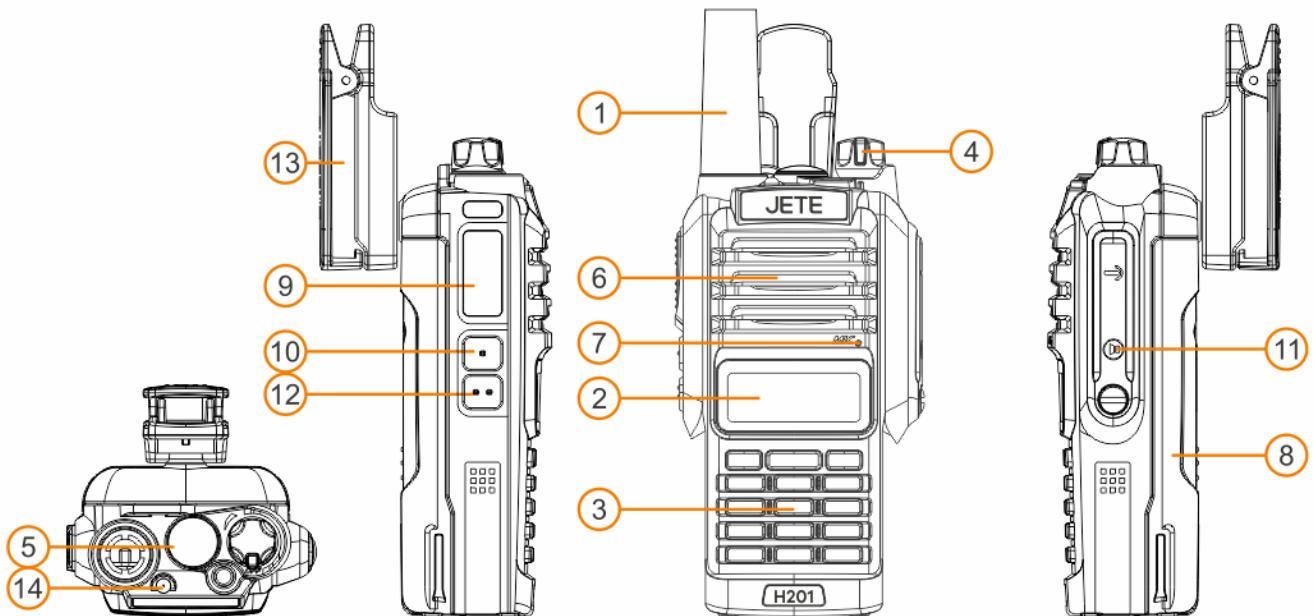


Antenna



Earbud Microphone

## Product Description :



- |                   |               |                    |                    |
|-------------------|---------------|--------------------|--------------------|
| 1. Antena         | 5. Flashlight | 9. PTT Button      | 12. SK-side key2/M |
| 2. Layar          | 6. Speaker    | 10. SK-side key1/F | 13. Strap Buckle   |
| 3. Keypad         | 7. Mic        | 11. Port Jack      | 14. LED Indicator  |
| 4. Power / Volume | 8. Battery    |                    |                    |

## **Features and Functions :**

This product has an IP57 rating, meaning it is resistant to both water and dust. After being submerged in 1 meter of water for 30 minutes, the radio will still function properly.

Voice prompts in Chinese/English:

- Dual-band handheld transceiver with LCD display menu.
- Operating frequency: VHF 130-176MHz & UHF 400-520MHz
- Power output: Selectable high/mid/low (5W/3W/1W)
- Up to 128 channel storage
- Cross-band reception/transmission
- Versatile display options for channel, number, frequency, channel name, etc.
- CTCSS & DCS
- End of transmission tone
- VOX function (voice-operated transmission)
- DTMF emergency alarm
- ANI Code
- Frequency step: 2.5/5/6.25/10/12.5/20/25/50 kHz
- Frequency memory
- Battery saving function "SAVE"
- Emergency SOS tone and alert light
- PC programmable
- Wideband (25KHz) / Narrowband (12.5KHz)
- Commercial FM Radio frequency (65 MHz ~ 108 MHz)
- Programmable backlight for display and keypad
- Equipped with LED light

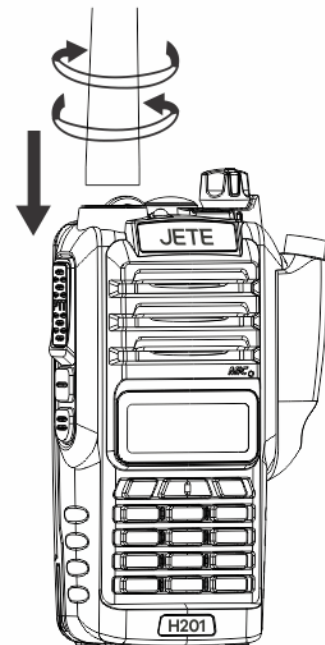
## 1. How to assemble :

### A. Installing the Antenna

Attach the antenna as shown in the figure below and turn clockwise until tight.

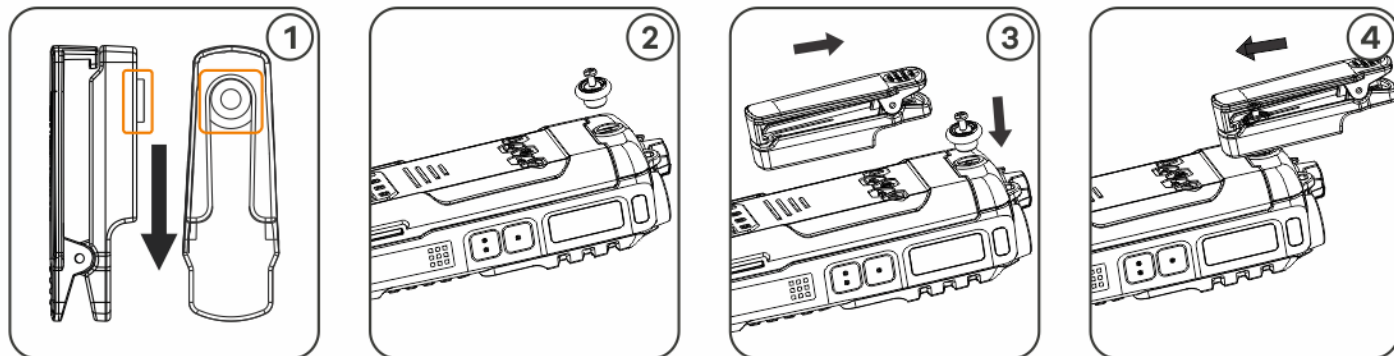
Note:

- Correct antenna installation : When installing the antenna, do not twist the top part while holding the base. Hold the base of the antenna and turn it clockwise until it is tight.
- External antenna : If using an external antenna, ensure the "SWR" value is around 1.5:1 or less. A high SWR value can damage the transistors in the device.
- Avoid touching the antenna : Do not touch the antenna with your hands or wrap anything around it. This can interfere with the device's performance.
- Always use an antenna : Never transmit without an antenna attached. This can damage your device.



### B. Attaching the Clip (Optional)

If necessary, attach the belt clip to the back of the battery compartment cover as shown in the picture on the side.

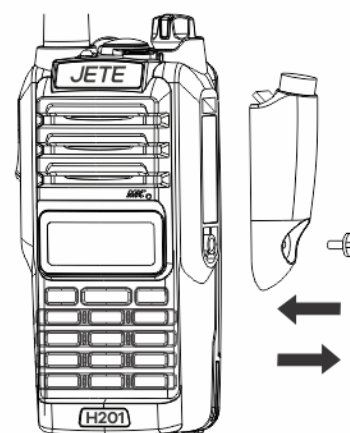


Note:

- Do not use any adhesive to attach the clip screw.
- The solvent in the adhesive can damage the battery casing.

### C. Attaching an External Headset

Connect the external headset connector to the "SP. & MIC" port on the HT device as shown in the picture on the side.

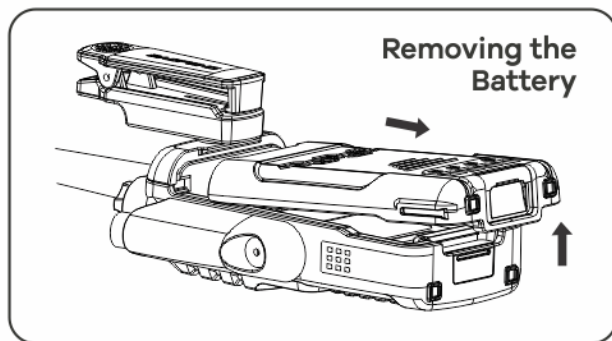
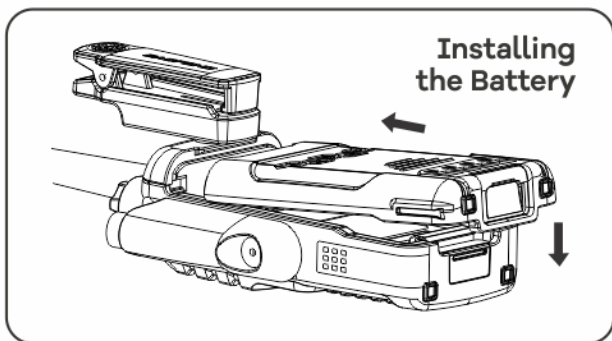


### D. To Remove the Battery

Slide the battery lock at the bottom of the HT body, in the direction indicated by the arrow.

Slide the battery down about 1 cm to 2 cm, then release the battery from the HT body.

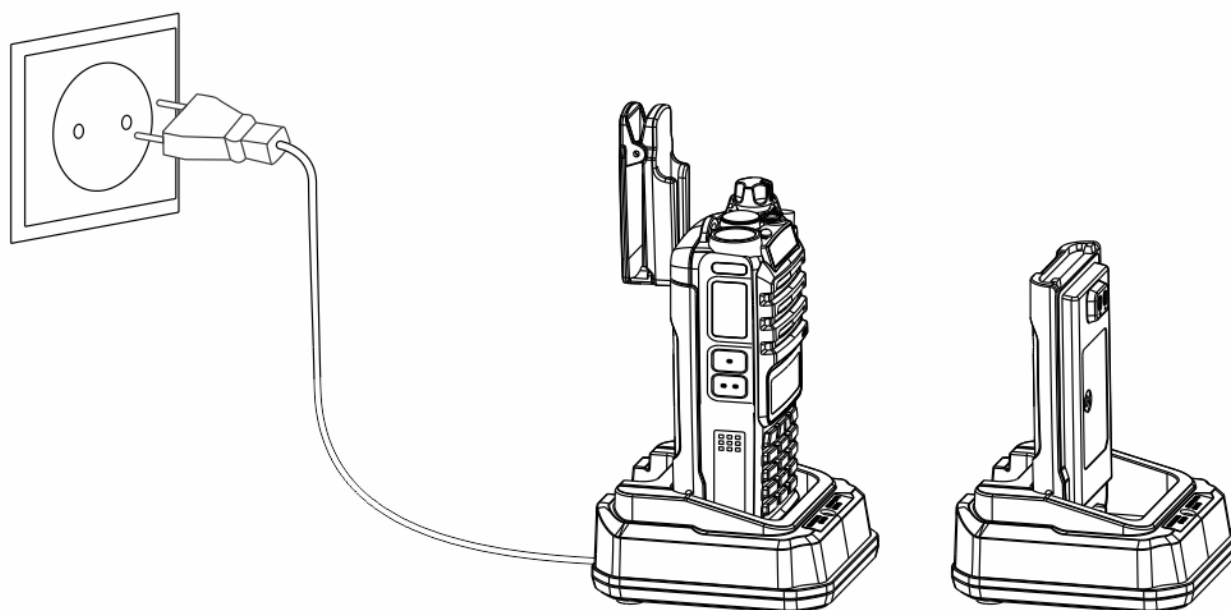
To install correctly : Align the battery with the track on the aluminum frame and slide it upwards until you hear a "click" sound. Make sure the HT is turned off before removing the battery.



### E. Battery Charging

Ensure that only the charger specified by the manufacturer is used. The LED on the charger indicates the battery charging status.

Charging Status	LED Indication
Standby (no battery)	Green LED lights up
Charging	Red LED lights up
Full	Green LED lights up
Error	Red and green LEDs blink alternately



Follow these steps to connect the charger :

1. Plug the AC adapter connector into a power outlet.
2. Place the HT device with the installed battery, or just the battery, into the charger.
3. Make sure the battery terminals make good contact. The charging process will begin when the red LED lights up.
4. The green LED will light up for about 4 hours, indicating the battery is fully charged. After that, remove the HT device with the installed battery, or just the battery, from the charger.

#### **F. Battery Care :**

The battery in this device is pre-charged from the factory. Please charge for 4 to 5 hours before using the device.

- Use only original batteries.
- Never attempt to disassemble the battery.
- Do not expose the battery to fire or excessive heat.
- Dispose of batteries according to local recycling regulations.

#### **Extending Battery Life :**

- Charge the battery at normal room temperature.
- When charging an installed battery on the device, turn off the device for faster charging.
- Do not unplug the charger or remove the battery and/or device before charging is complete.
- Never charge a wet battery.
- Battery performance will decrease at temperatures below zero degrees Celsius. When working in cold environments, it is recommended to carry a spare battery in a jacket or similar place to keep the battery warm
- Dust can interfere with contacts. If necessary, clean the contacts with a clean cloth to ensure good contact between the device and the charger.

#### **Storage :**

Before storing the device for a long time, make sure the battery is fully charged to prevent damage due to power depletion.

To avoid a drastic decrease in battery capacity during long-term storage, cycle the battery charge at least every six (6) months.

Store the battery in a cool and dry place, and avoid room temperatures exceeding normal.

## 2. Definition of Buttons and Functions

### How to Turn On:

Rotate the Power/VOL knob clockwise. You will hear a "beep" and the HT will sound a busy tone. The HT is ready for use. Rotate the Power/VOL knob to adjust the volume.

### B. SOS Alarm Button:

Press the Side Button SK-1/[F] for 2 seconds to activate the alarm. The green, red, and flashlight will blink simultaneously. Press this button again to deactivate the alarm.

### C. PTT Button:

Press and hold the PTT button, then speak into the microphone. Release PTT to receive transmission.

### D. Side Button SK-1/[F] :

Press the SK-1/[F] button once to activate the FM Radio. Press it again to deactivate the FM Radio.

### E. Side Button SK-2/[M] :

- Press the [M] button once to turn on the flashlight. Press it again to turn off the flashlight.
- Press and hold the button to monitor signals.

### F. Function Button :

#### [MENU]:

- For setting confirmation.
- To switch to Frequency mode and Channel mode, when the HT is off, press and hold the MENU button and turn on the HT.

### Up [▲] and [▼] Down Button :

- Press the [▲] or [▼] button to perform channel scanning.
- Press and hold the [▲] or [▼] button to accelerate the increase or decrease of frequency.

### [EXIT/AB] Button :

- To cancel/delete or exit.
- In standby mode, press the [EXIT/AB] button to switch between frequencies A and B.
- In FM radio mode 65-75MHz/76-108MHz, press the [EXIT/AB] button to switch between radio FM 65-75MHz and 76-108MHz.

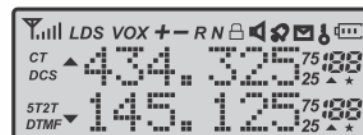
### G. Numeric Keypad:

Used to manually enter numbers, whether for selecting channels, entering frequencies, or performing certain settings according to the function.



## H. LCD Display:

Icons on the screen will appear when certain operations or special features are activated.



Icon	Description
<i>CT</i>	CTCSS activated
<i>DCS</i>	DCS activated
<b>+</b>	Frequency Shift (+)
<b>-</b>	Frequency Shift (-)
<b>+ -</b>	Frequency offset direction for repeater access
<b>S</b>	Dual Watch/Dual Reception function activated
<i>VOX</i>	VOX function activated
<i>R</i>	Reverse function activated
<i>N</i>	Wide Band mode selected
	Battery Level Indicator
	Keypad Lock function activated
<b>L</b>	Low Power Transmit
<b>▲▼</b>	Operating Frequency
	Signal Strength Level
<b>188</b>	Operating Channel
<b>75 25</b>	Frequency being used

## 3. Basic Operation:

### A. Turning On/Off the HT & Volume Control:

- Ensure the antenna and battery are properly installed and the battery is charged.
- Turn the knob clockwise to turn on the HT.
- Turn the knob fully counter-clockwise until you hear a "click" sound to turn off the HT.
- Turn the knob clockwise to increase the volume, or counter-clockwise to decrease the volume.

Attention: The HT will not make a "click" sound if you turn off the voice command function. The booting display can be adjusted from function 38.

### B. Transmitting and Receiving:

1. Select the correct channel number or enter the frequency you need.
2. Then, press and hold the PTT button, the HT will transmit.

3. Speak into the microphone; your voice will be transmitted. Release the PTT button to receive a signal.

- When you press PTT, the LCD displays L, meaning the HT is on low power.
- When you press PTT, the LCD displays M, meaning the HT is on medium power.
- When you press PTT, the LCD displays H, meaning the HT is on high power.
- Press PTT then SOS to send a 1750Hz signal.
- Press PTT then a number button to send a DTMF signal.

### C. "VOX" Function (Voice Operated Transmission):

This function allows transmission without needing to press the PTT button. Transmission will activate automatically when the HT detects your voice. When you finish speaking, transmission will automatically stop and the HT will return to signal reception mode. Be sure to adjust the VOX sensitivity level for smooth transmission.

#### How to Activate VOX:

1. Press MENU to enter the menu settings.
2. Press (▲) or (▼) to select Function 4; the screen will display [display content is missing here, but usually "VOX" or a related setting name].
3. Press MENU, you will hear a VOX sound, then press (▲) or (▼) to select a sensitivity level from 1-10, with 10 being the most sensitive level.
4. Press MENU to confirm the setting. The LCD screen will display VOX after this function is activated.
5. You can select the VOX OFF level and press MENU to deactivate this function.



### D. AUTOLK (Automatic Keypad Lock):

This HT has two lock options: automatic and manual.

OFF: Disables automatic lock.

ON: The keypad will be locked if no button is pressed for more than 8 seconds.

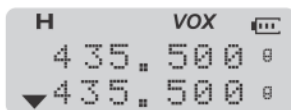
How to Activate AUTOLK:

1. In standby mode, press MENU + number button 24, the screen will display "AUTOLK".
2. Press MENU to enter, then press (▲) or (▼) to select ON or OFF.
3. Press MENU to confirm, then press EXIT to return to standby mode.

### E. VFO Mode/Channel Mode:

Turn off the HT, then press MENU and rotate the power knob to turn on the HT.

The screen will display



or



The lower LCD will display the channel number, indicating the HT is in channel mode. In this way, you can also change the channel mode to VFO.

When the HT is in VFO mode, frequencies can be entered directly using the keypad.

### F. TDR (Dual Watch/Dual Reception):

This feature allows you to operate between frequency A and frequency B alternately. The HT will periodically check for signals received on other frequencies that you have set. If a signal is detected, the unit will remain on that frequency until the signal disappears.

1. In standby mode, press MENU + number 7 on the keypad, the screen will display "TDR".
2. Press MENU to enter, then press (▲) or (▼) to select TDR OFF or ON.
3. Press MENU to confirm, then press EXIT to return to standby mode.

### G. DEL-CH (Menghapus Saluran):

In standby mode, press MENU + number 28, the screen will display "DEL-CH".

1. Press MENU to enter, then press (▲) or (▼) to select the channel you want to delete.
2. Press MENU to confirm, then press EXIT to return to standby mode.

Note:

This HT has 128 channel memories from 000 to 127. If you enter a channel without a display, it means the channel has not been programmed and cannot be used.

### H. MEM-CH (Save to Memory Channel):

When the HT is in frequency mode or standby mode, enter the frequency and parameters you want to save.

Complete memory channel settings include:

- RX Frequency (for receiving)
- TCSS (code for group identification)
- DCS (digital code for identification)
- RF Power (signal strength)
- Bandwidth (frequency band width)

- PTT-ID (Push-to-Talk Identifier)
- BCL (Busy Channel Lockout)
- ANI (Automatic Number Identification)
- Add to Scan (adding channels to scan)
- Channel name

Except for the "Add to Scan" and "Channel name" settings, all other settings can be made using the keypad in VFO (variable frequency) mode.

Example: If you want to program all data to channel 106, please follow these instructions:

RX Frequency	440.625MHz
TX Frequency	430.625MHz
RX CTCSS	100.0Hz
TX DCS	250.3Hz
RF Power	High
Bandwidth	Wide
PTT-ID	OFF

1. Check for data on Ch106:

- Open menu 28.
- If there is "CH" before "106", it means there is already data on that channel.
- Delete the existing data so you can save new data on this channel.
- Make sure there is no "CH" before "106" after you delete the data.

2. Enter VFO mode

- Press and hold the MENU button, then turn on the HT.
- Press the EXIT/AB button to select frequency A (UP).

3. Enter frequency 4460.625MHz

4. Now, through the menu, you can set other parameters such as CTCSS, DCS, RF power, bandwidth, and so on.

5. After completing all other settings, press the MENU button, then go to menu 27. Press the MENU button twice, all data will be saved to CH106. However, for now, only the RX frequency is saved. Press the MENU button twice more to save the TX frequency.

Note: If you want to save the TX frequency 430.625 to CH106, repeat the same steps as saving the RX frequency.

### **I. CTCSS/DCS Scan :**

Before setting up CTCSS/DCS, ensure you have an RX frequency, deactivate the Dual Standby function, and the HT is operating in VFO mode.

Open menu 11, press the MENU button once, then press the \*/SCAN button. At this point, press the PTT button on another HT to start automatic CTCSS scanning. When the scan stops, it means you have found the same CTCSS as the other HT. Press MENU to save the CTCSS.

### **J. Repeater Receiver :**

A repeater receives a signal on one frequency and simultaneously re-transmits the same information on a different frequency. The tail end is a "beep" sound indicating that the repeater is active and has heard your transmission.

Menus 35, 36, and 37 are very helpful when the HT operates through a repeater. It is recommended to set menus 35 and 36 to OFF. Parameter menu 37 is between 1-10, preferably set to 5.

HT Alarms :

- HT will sound an alarm and the light will blink.
- Sending alarm code: HT will send the alarm code that has been programmed.
- Sending background sound: HT will send the background sound that has been selected.

Activating and Deactivating the Alarm :

- Press the SOS button to activate the alarm.
- Press the SOS button again to deactivate the alarm.

During Active Alarm :

- When the alarm is active, the HT will only respond to the PTT and SOS buttons.
- Press PTT to transmit. When it receives a transmission, the alarm will automatically stop.

### **11. CTCSS/DCS :**

CTCSS and DCS are used to create closed group communication on a specific frequency or channel.

CTCSS : Uses tone code to open the squelch (noise reduction) only when receiving a signal with the same tone.

DCS : Uses digital code to open the squelch only when receiving a signal with the same code.

Note : The use of CTCSS or DCS does not guarantee complete communication privacy.

**CTCSS TABLE :**

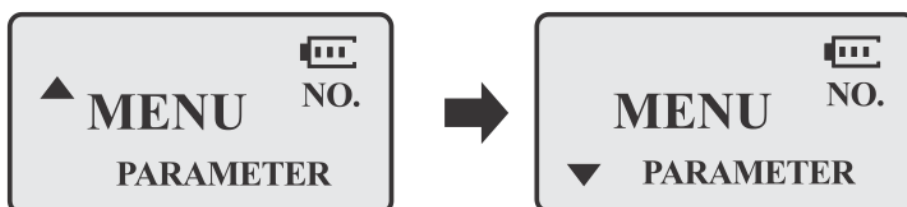
No	Tone (Hz)	No	Tone (Hz)	No	Tone (Hz)	No	Tone (Hz)	No	Tone (Hz)
1	67.0	11	94.8	21	131.8	31	171.3	41	203.5
2	69.3	12	97.4	22	136.5	32	173.8	42	206.5
3	71.9	13	100.0	23	141.3	33	177.3	43	210.7
4	74.4	14	103.5	24	146.2	34	179.9	44	218.1
5	77.0	15	107.2	25	151.4	35	183.5	45	225.7
6	79.7	16	110.9	26	156.7	36	186.2	46	229.1
7	82.5	17	114.8	27	159.8	37	189.9	47	233.6
8	85.4	18	118.8	28	162.2	38	192.8	48	241.8
9	88.5	19	123.0	29	165.5	39	196.6	49	250.3
10	91.5	20	127.3	30	167.9	40	199.5	50	254.1

**DCS TABLE :**

No	Code	No	Code	No	Code	No	Code	No	Code
1	D023N	22	D131N	43	D251N	64	D371N	85	D532N
2	D025N	23	D132N	44	D252N	65	D411N	86	D546N
3	D026N	24	D134N	45	D255N	66	D412N	87	D565N
4	D031N	25	D143N	46	D261N	67	D413N	88	D606N
5	D032N	26	D145N	47	D263N	68	D423N	89	D612N
6	D036N	27	D152N	48	D265N	69	D431N	90	D624N
7	D043N	28	D155N	49	D266N	70	D432N	91	D627N
8	D047N	29	D156N	50	D271N	71	D445N	92	D631N
9	D051N	30	D162N	51	D274N	72	D446N	93	D632N
10	D053N	31	D165N	52	D306N	73	D452N	94	D645N
11	D054N	32	D172N	53	D311N	74	D454N	95	D654N
12	D065N	33	D174N	54	D315N	75	D455N	96	D662N
13	D071N	34	D205N	55	D325N	76	D462N	97	D664N
14	D072N	35	D212N	56	D331N	77	D464N	98	D703N
15	D073N	36	D223N	57	D332N	78	D465N	99	D712N
16	D074N	37	D225N	58	D343N	79	D466N	100	D723N
17	D114N	38	D226N	59	D346N	80	D503N	101	D731N
18	D115N	39	D243N	60	D351N	81	D506N	102	D732N
19	D116N	40	D244N	61	D356N	82	D516N	103	D734N
20	D122N	41	D245N	62	D364N	83	D523N	104	D743N
21	D125N	42	D246N	63	D365N	84	D526N	105	D754N

### Shortcut Menu Operation :

1. Press the MENU button, then press the (▲) or (▼) button to select the desired menu.
2. Press the MENU button again to enter the parameter settings.
3. Press the (▲) or (▼) button to select the desired parameter.
4. Press the MENU button to confirm and save the setting.
5. Press the EXIT button to cancel the setting or delete the entered input.



### Menu Description Options :

Menu	Function/Description	Available settings
0	SQL (Squelch level)	0-9
1	STEP(Frequency step)	2.5/5/6.25/10/12.5/20/25/50kHz
2	TXP(Transmit power)	HIGH/MID/LOW
3	SAVE( Battery save, 1:1/1:2/1:3/1:4)	OFF/1/2/3/4
4	VOX(Voice operated transmission)	OFF/1-10
5	W/N( Wideband/narrowband)	WIDE/NARR
6	ABR(Display illumination)	OFF/1/2/3/4/5s
7	TDR(Dual watch/dual reception)	OFF/ON
8	BEEP(Keypad beep)	OFF/ON
9	TOT(Transmission timer)	15/30/45/60.../585/600seconds
10	R-DCS(Reception digital coded squelch)	OFF/D023N...D754I
11	R-CTS(Reception Continuous Tone Coded Squelch)	67.0Hz...254.1Hz
12	T-DCS(Transmission digital coded squelch)	OFF/D023N...D754I
13	T-CTS(Transmission Continuous Tone Coded Squelch)	67.0Hz...254.1Hz
14	VOICE(Voice prompt)	OFF/ON
15	ANI(Automatic number identification of the radio,only can be set by PC software.	
16	DTMFST(The DTMF tone of transmitting code.)	OFF/DT-ST/ANI-ST/DT+ANI
17	S-CODE(Signal code, only could be set by PC software.)	1,.....,15 groups
18	SC-REV(Scan resume method)	TO/CO/SE
19	PTT-ID(press or release the PTT button to transmit the signal code)	OFF/BOT/EOT/BOTH
20	PTT-LT(delay the signal code sending)	0,.....,30ms

21	MDF-A(under channel mode, A channel displays. Note:name display only can be set by PC software.	FREQ/CH/NAME
22	MDF-B(under channel mode, B channel displays. Note:name display only can be set by PC software.	FREQ/CH/NAME
23	BCL(busy channel lockout)	OFF/ON
24	AUTOLK(keypad locked automatically)	OFF/ON
25	SFT-D(direction of frequency shift)	OFF/+/-
26	OFFSET(frequency shift)	00.000...69.990
27	MEMCH(stored in memory channels)	000,...127
28	DELCH(delete the memory channels)	000,...127
29	WT-LED(illumination display color of standby)	OFF/BLUE/ORANGE/PURPLE
30	RX-LED(illumination display color of reception)	OFF/BLUE/ORANGE/PURPLE
31	TX-LED(illumination display color of transmitting)	OFF/BLUE/ORANGE/PURPLE
32	AL MOD(alarm mode)	SITE/TONE/CODE
33	BAND(band selection)	VHF/UHF
34	TX-AB(transmitting selection while in dual watch/ reception)	OFF/A/B
35	STE(Tail Tone Elimination)	OFF/ON
36	RP_STE(Tail tone elimination in communication through repeater)	OFF/1,2,3...10
37	RPT_RL(Delay the tail tone of repeater)	OFF/1,2,3...10
38	PONMGS(Boot display)	FULL/MGS
39	ROGER(tone end of transmission)	ON/OFF
40	A/B-BP(Tone end of reception)	OFF/A/B
41	RESET (Restore to default setting)	VFO/ALL

### Restore to Default Settings (Reset):

This HT has a menu to restore VFO settings or all settings to factory default.

- VFO Reset: Restores all VFO parameters to factory default.
- ALL Reset : Restores all HT parameters, including channel settings, to factory default.

### Langkah-langkah Reset:

- In standby mode, press MENU + number 40, the screen will display "RESET".
- Press MENU to enter, then press (▲) or (▼) to select VFO or ALL.
- Press MENU to confirm, then press EXIT to return to standby mode.

## Problem

Problem	Solution
Radio won't turn on	The battery is not installed correctly. Please remove and reinsert the battery.
Baterai habis dengan cepat	The battery life may be worn out. Please replace it with a new battery and charge it fully
Indicator lights up but can't hear incoming sound	The battery is not installed correctly. Please remove and reinsert the battery
when transmitting with other members in your group but unable to receive transmissions	Ensure that the 'CTCSS' or 'DCS' code is programmed identically across all transceivers in your group. Other members may be out of range, or you or another member may be in an area with poor signal.
When in standby mode, the transmitter remains on without pressing the PTT button.	Check the level function of VOX to make sure it is not too sensitive.
Receiving communications from other groups while communicating with your group	Change frequency or channel, change "CTCSS" or "DCS" code in your group
the quality of communication with your members is too poor	You or another member may be in an area with a very weak signal, such as inside a tunnel, underground, or at the top of a mountain

## **Maintenance :**

### **Please read the following recommendations before using JETE products:**

- Avoid exposing the device to moisture or damp conditions. This can affect the internal circuitry.
- Do not use cleaning solutions to clean the device.
- Do not expose the device to extreme heat or cold temperatures. This may damage the device or alter certain plastic parts.
- Avoid exposing the device to sharp objects. This may cause scratches and damage.
- Do not disassemble or modify the device.
- Do not drop the device. This may damage the internal circuitry.
- Always store the device at room temperature.

## **How to Warranty Claim JETE Product :**

1. All warranty claims must be made at the Authorized Service Centers listed on the warranty card.
2. Customers may visit an Authorized Service Center or contact Customer Service at 0812-1739-3609 for online product exchange inquiries.
3. All shipping costs shall be borne by the customer.
4. When making a warranty claim, the customer **MUST** present the following:
  - A purchase receipt clearly stating the outlet name and transaction date.
  - The product must still be within the specified warranty period.
  - A completed warranty card.
  - The original product box and packaging.
5. Please inform our staff of the specific issue or damage to the product.
6. **WARRANTY IS VOID** if damage is found to be caused by:
  - Breakage, cracks, burns, drops, self-modification, or water damage.
7. For any inquiries or issues regarding warranty claims, please contact Customer Service at 0812-1739-3609.

# JETE

**WARRANTY CARD and  
USER MANUAL**

**HANDY TALKY H201**



e-Usermanual

**IMPORTIR**

**PT. DORAN SUKSES INDONESIA**

Jl. Lebak Jaya 2 Tengah No. 2, Surabaya

**CUSTOMER SERVICE**



**081217393609**



[jete.id](http://jete.id)



[jeteindonesia](https://www.instagram.com/jeteindonesia)



[jeteindonesia](https://www.facebook.com/jeteindonesia)



[jeteindonesia](https://www.twitter.com/jeteindonesia)

Date :

---

Name :

---

Phone No. :

---

Address :

---

Model :

---

Shop :

---

## **Terms and Conditions of Warranty :**

1. This warranty is valid for 2 years for original JETE products.
2. This warranty is valid for the warranty period stated on the product packaging since the date of sale.
3. During the warranty period, the user is exempt from any replacement costs that may occur.
4. The user must show the warranty card and purchase receipt when applying for a warranty.
5. The warranty applies to functional damage:
  - Disfunction.
  - Audio not detected.
  - Indicator off.
  - Battery damage.
6. This warranty DOES NOT APPLY if:
  - PRODUCT IS BROKEN, CRACKED, BURNED, FALLEN,
  - MODIFIED YOURSELF, SOAKED IN WATER.
  - Supporting accessories such as: cables, adapters, etc.
  - Abnormal use, not stored properly, natural disasters, modified, or anything intentionally.
  - The product has been repaired by a third party.
  - The data is not filled in completely by the seller and buyer.
  - Damage caused by user error.
  - The product warranty period has expired.

**2 YEARS  
WARRANTY**



Contact Us

**JETE WARRANTY POINTS**

