

JETE

**WARRANTY CARD and
USER MANUAL**

LENSA PL2



e-Usermanual

IMPORTIR

PT. DORAN SUKSES INDONESIA

Jl. Lebak Jaya 2 Tengah No. 2, Surabaya

CUSTOMER SERVICE

 **081217393609**

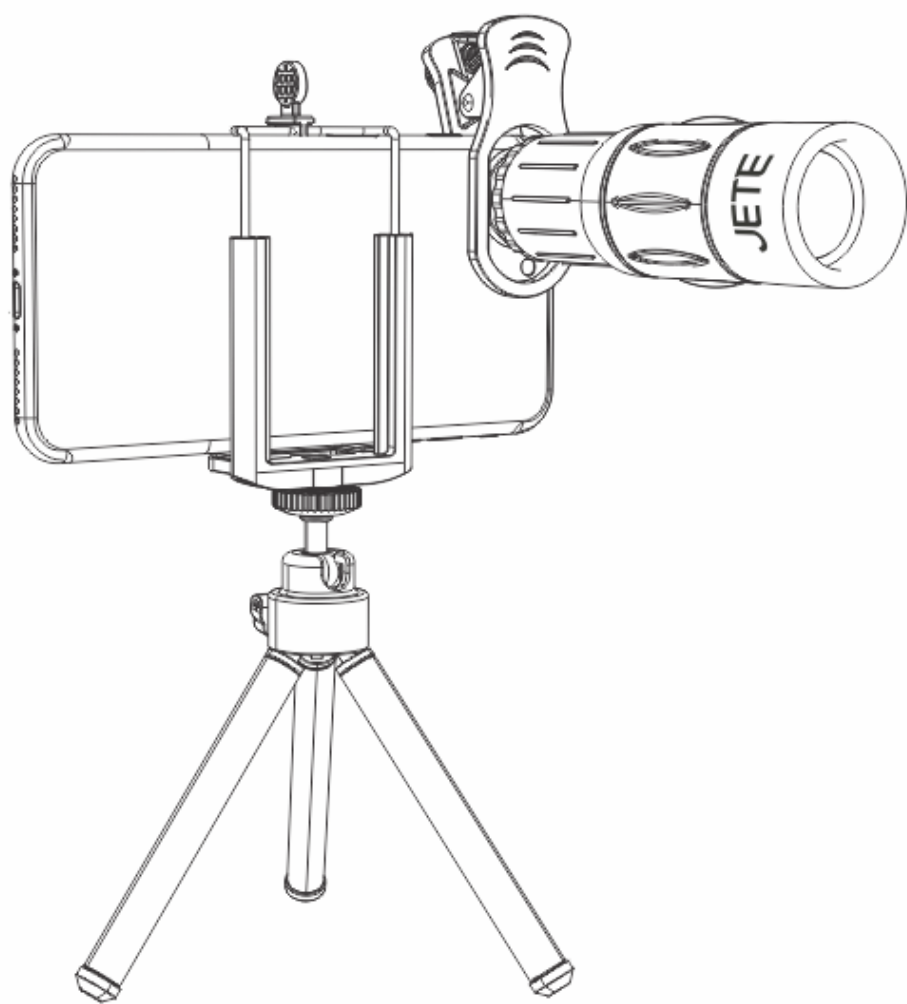
 jete.id  [jeteindonesia](https://www.instagram.com/jeteindonesia)

 [jeteindonesia](https://www.facebook.com/jeteindonesia)  [jeteindonesia](https://www.twitter.com/jeteindonesia)

JETE

USER MANUAL

LENSA PL2

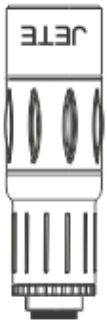


Please read the instructions carefully
before using the product

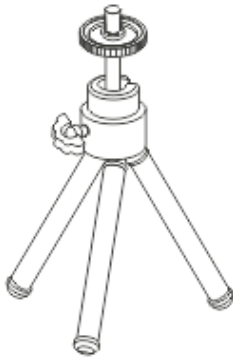
Product Introduction :

Thank you for purchasing JETE products. For optimal and safe performance, it is expected to read the instructions carefully before using this product.

Content Package :



PL2



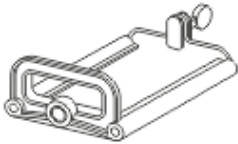
Tripod



Pouch



User Manual



Holder



Clip

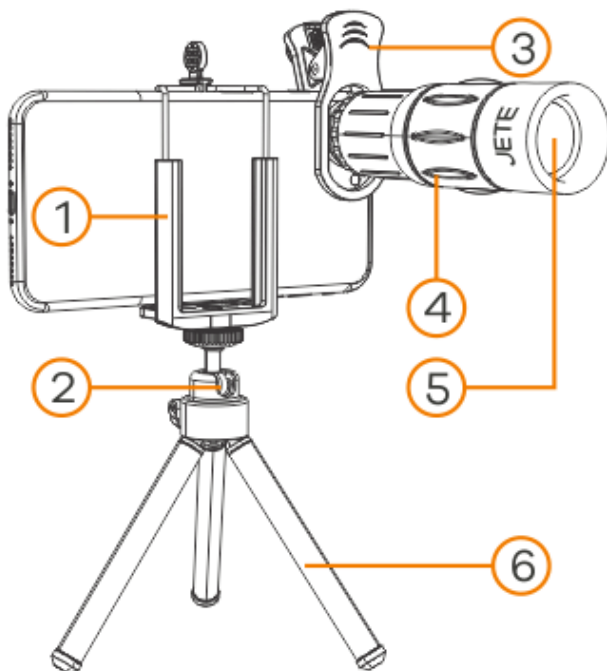


Eye Mask



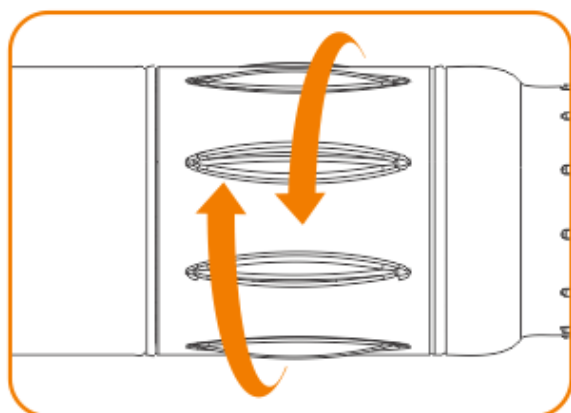
Micro Fiber

Deskripsi Struktur Produk :

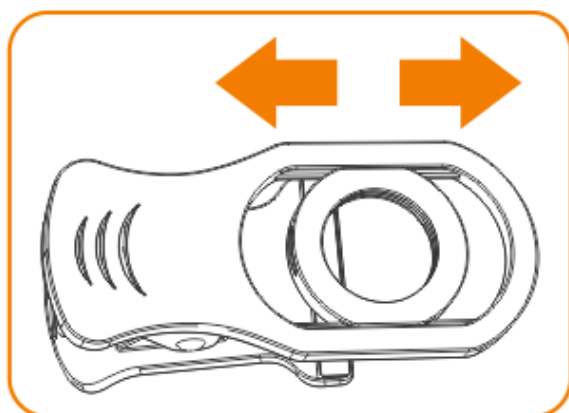


1. Holder
2. Ball Head
3. Clip
4. Focus Ring
5. Lens Manual
6. Tripod

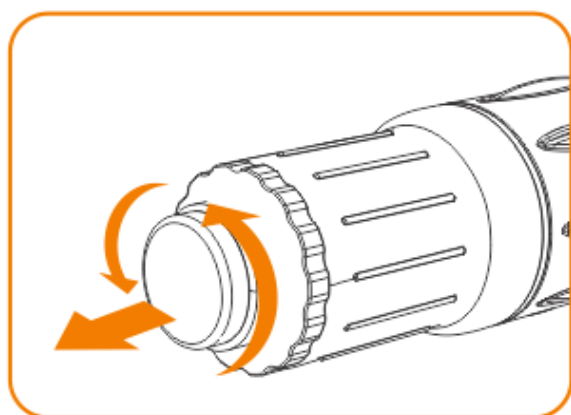
Product Usage :



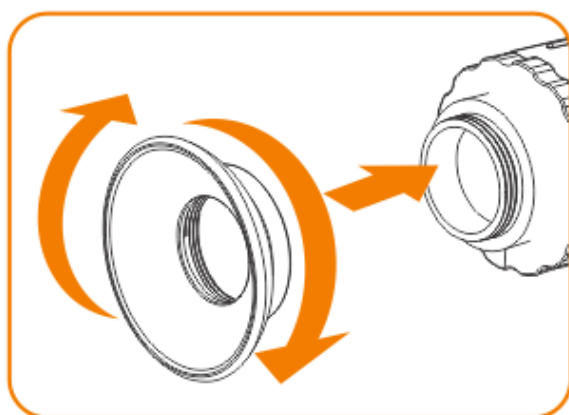
1. Manual Focus Ring :
Rotate the focus ring to adjust focus and start HD recording.



2. Port Lens :
The lens port can be slid up or down to adjust the position for various lenses.

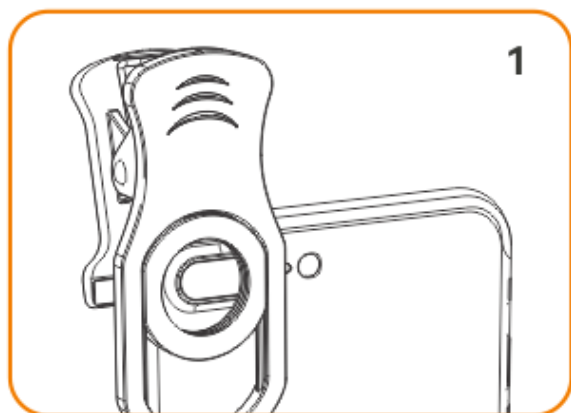


3. Removing the Lens Cover :
Rotate counterclockwise to remove the lens cap.

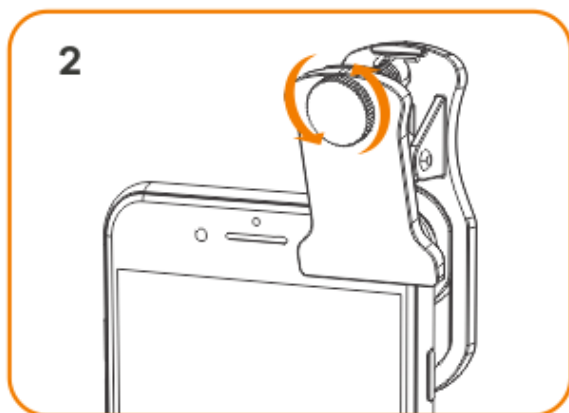


4. Eye Mask :
Install the eye mask by turning it clockwise to switch to monocular/binocular mode.

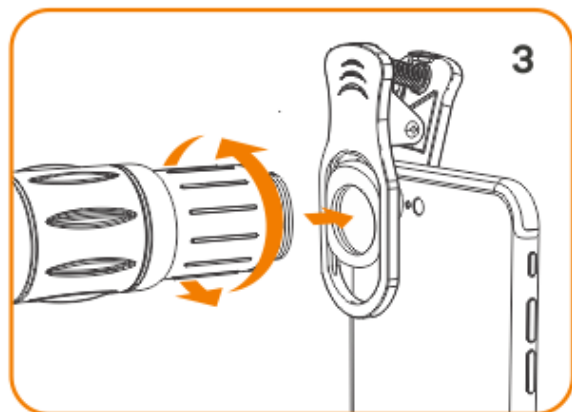
Installation to Mobile Phone :



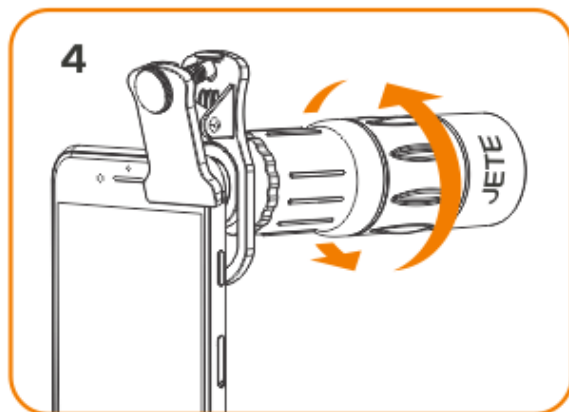
Align and clamp the clip on the phone's main camera.



Turn the clip fixing bolt to tighten the clip.

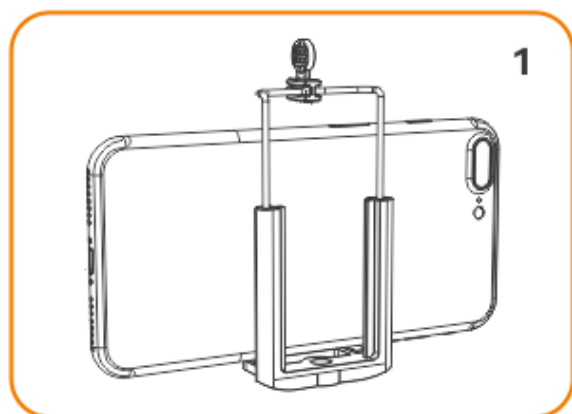


Rotate the lens into the clip lens port.

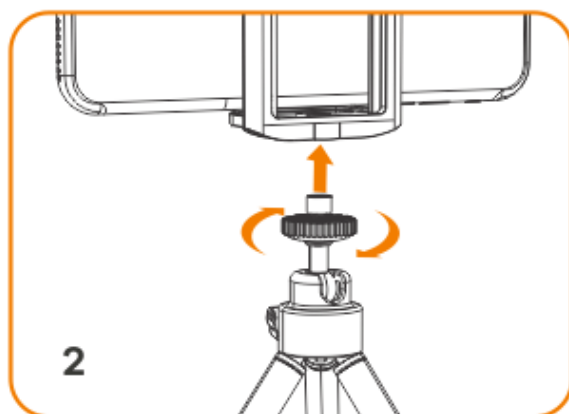


Slowly rotate the focus ring to set the focus on the point you want to record. Once the image is clear, you can start recording.

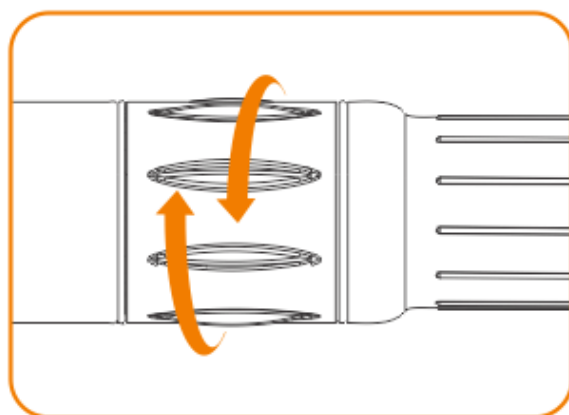
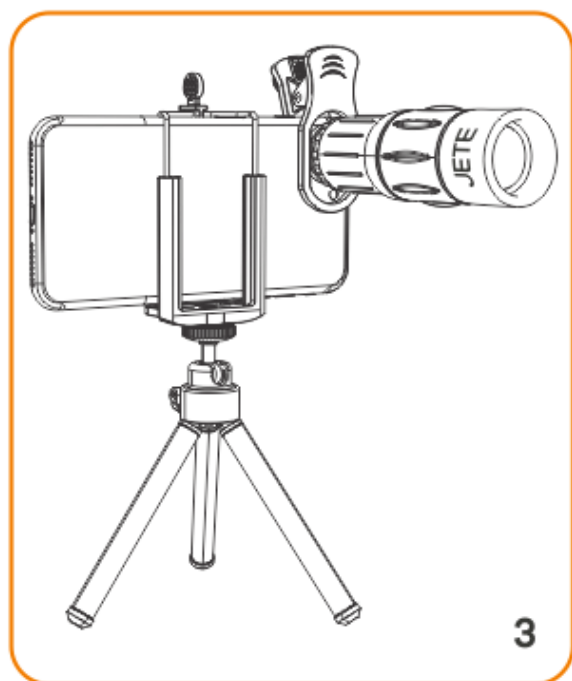
Mounting to Tripod :



Open the clip and insert the phone inside.



Rotate and tighten the ball head part with the port holder.



Installation is complete, ready to record. If the image is blurry, you can rotate the focus ring to adjust the focus.

Specification :

Model	: PL2
Material	: Metal + Rubber
Lens Diameter	: 28mm
Eyepiece caliber	: 15mm
Prism Material	: BAK4
Maximum Weight Pressure	: 96g
Size	: 18x37x123mm

Maintenance :

Please read the following recommendations before using JETE

- Avoid exposing the device to water vapor or humid places. This can affect the internal circuit.
- Do not use cleaning solutions to clean the device.
- Do not expose the device to extreme heat or cold, as this can damage the device or change certain plastic parts.
- Avoid exposing the device to sharp objects, as this can cause scratches and damage.
- Do not disassemble or modify the device.
- Do not drop the device, as this can damage the circuitry.
- Always store the device at room temperature.

How to Warranty Claim JETE Product :

1. All warranty claims can be made at the list of Authorized Outlets listed on the warranty card.
2. Buyers can come to an authorized Outlet or contact Customer Service +62812-1739-3609 if they want to exchange the product online.
3. All expedition shipping costs / product postage are borne by the buyer.
4. When claiming the warranty, the buyer is **MANDATORY** to show the completeness of the warranty:
 - A purchase receipt that clearly states the name of the outlet and the date of the transaction.
 - The product must still be within the specified warranty period.
 - Warranty card that has been filled out.
 - Box / Packing Product.
5. Please inform the constraints / product damage that occurs to our staff.
6. **WARRANTY DOES NOT APPLY** if **USER DAMAGE** is found, namely:
 - **BROKEN, CRACKED, BURNED, DROPPED, MODIFIED BY YOURSELF, SUBMERGED IN WATER.**
7. If there are problems during warranty claims or other questions, please contact Customer Service +62812-1739-3609.

Terms and Conditions of Warranty :

1. This warranty is valid for 2 years for original JETE products.
2. This warranty is valid for the warranty period stated on the product packaging since the date of sale.
3. During the warranty period, the user is exempt from any replacement costs that may occur.
4. The user must show the warranty card and purchase receipt when applying for a warranty.
5. The warranty applies to functional damage:
 - Disfunction.
 - Audio not detected.
 - Indicator off.
 - Battery damage.
6. This warranty DOES NOT APPLY if:
 - PRODUCT IS BROKEN, CRACKED, BURNED, FALLEN,
 - MODIFIED YOURSELF, SOAKED IN WATER.
 - Supporting accessories such as: cables, adapters, etc.
 - Abnormal use, not stored properly, natural disasters, modified, or anything intentionally.
 - The product has been repaired by a third party.
 - The data is not filled in completely by the seller and buyer.
 - Damage caused by user error.
 - The product warranty period has expired.

**2 YEARS
WARRANTY**

NEW REPLACEMENT
FOR ANY FAULTS *T&C



Contact Us

JETE WARRANTY POINTS

