

JETE

WARRANTY CARD and USER MANUAL

VIDEO CONFERENCE JETE AUTO FRAME PRO



e-Usermanual

IMPORTIR

PT. DORANSUKSES INDONESIA

Jl. Lebak Jaya 2 Tengah No. 2, Surabaya

CUSTOMER SERVICE



jete.id



jeteindonesia



jeteindonesia

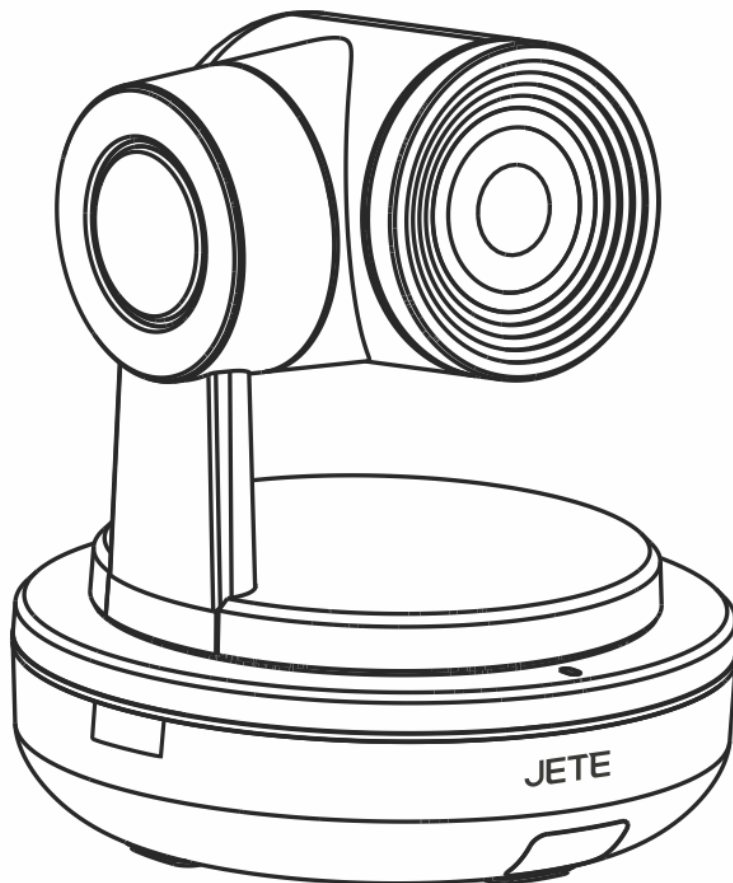


jeteindonesia

JETE

USER MANUAL

VIDEO CONFERENCE
JETE AUTO FRAME PRO



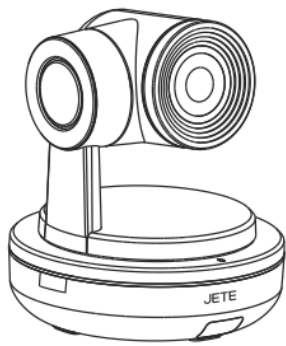
IMKG.1573.10.2021

Please read the instructions carefully
before using the product.

Product Introduction :

Thank you for purchasing JETE products. For optimal and safe performance, it is expected to read the instructions carefully before using this product.

Content Package :



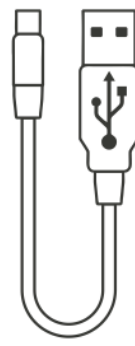
JETE AUTO
FRAME PRO



Remote



Power
Cable



USB
Cable

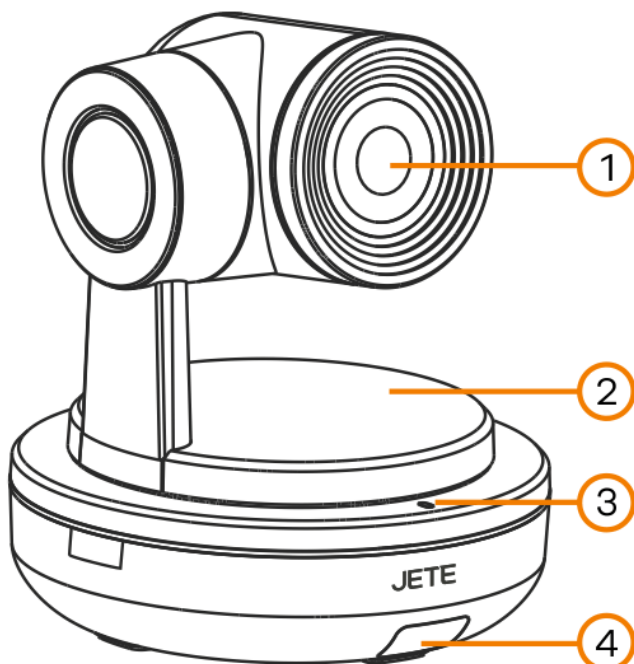


Baterai *2

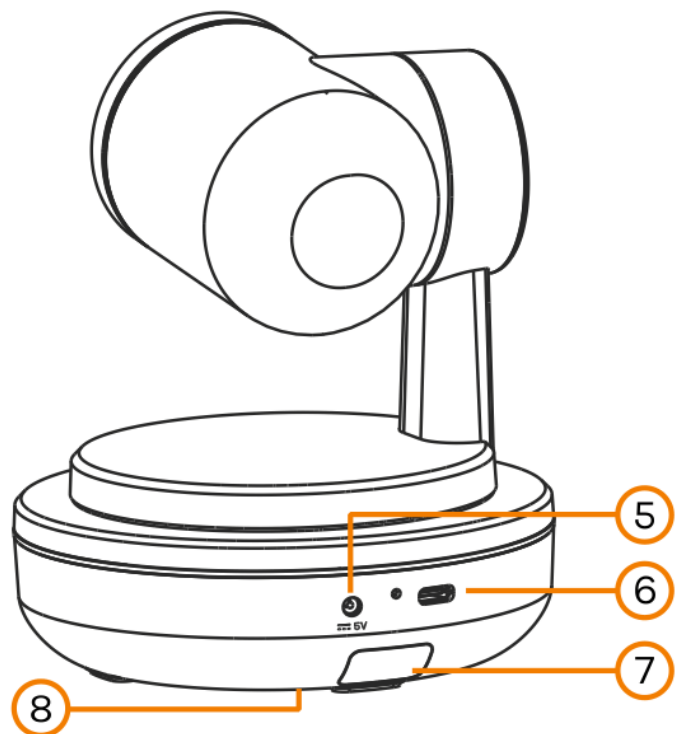


User
Manual

Description Structure Product :

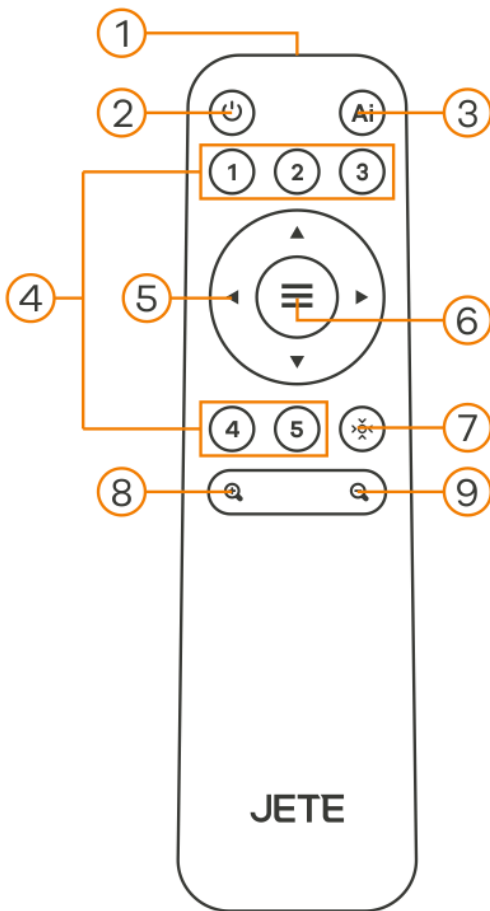


1. Lens
2. Pan & Tilt
3. Indicator Light
4. Receiver Infrared 1



5. Port Power DC 5V
6. Port Type-C
7. Receiver Infrared 2
8. ¼ Universal Screw

Remote Control Button Description :

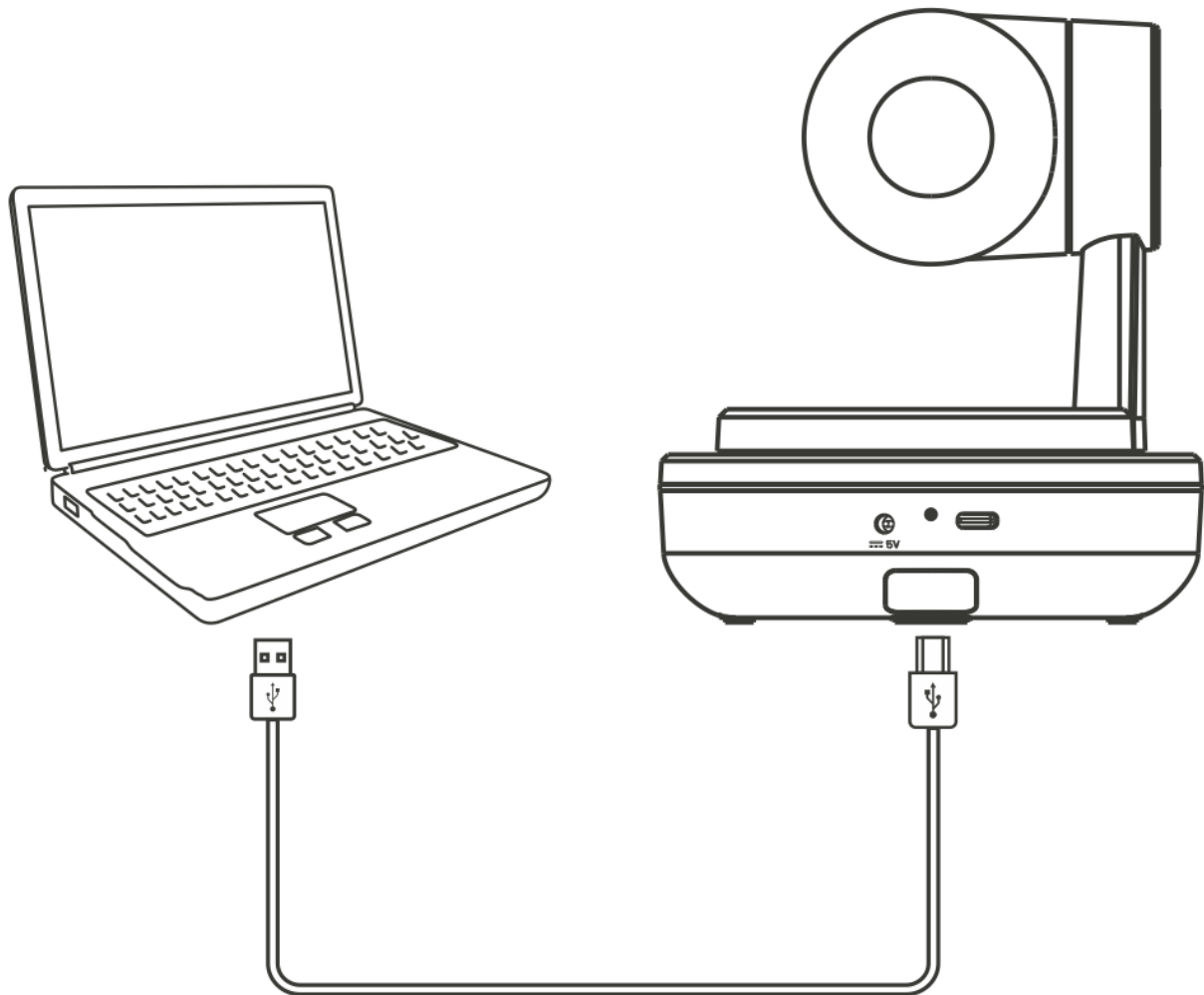


1	Sensor	Sensor on Remote
2	Power	If pressed, the camera will enter standby mode, if pressed again, the camera will turn on
3	AI	Button to activate the AI / Face tracking feature
4	Number Button	Button to call up presets
5	Pan & Tilt	Navigation buttons to move the camera
6	Menu	Menu button
7	Preset Button	Button to save Preset at number 1-5
8	Zoom In	Button to enlarge the image
9	Zoom Out	Button to reduce the image

Note :

1. Avoid manually adjusting the lens while the device is in operation. This can interfere with the automatic movement system.
2. Do not touch the camera lens surface to prevent scratches or stains that can degrade image quality.
3. Ensure that the infrared signal receiver sensor on the remote control is not obstructed. This is important to maintain optimal remote control function.
4. It is recommended to use Windows 7/Android 7.1 or later operating systems for best performance.
5. This device can store up to 5 preset positions. Press the number buttons on the remote control to select the desired position.

Instal Camera :



1. Place the camera on a flat surface or tripod.
2. Connect the USB to Type-C cable to the device as a power source.

Note : If the camera does not turn on, there is a possibility that the USB port on your laptop/computer does not have enough power to turn on the camera.


Add power by connecting a DC 5V USB Power cable.

How to Use :


Getting Started with AI Face Tracking Feature :

Ensure your face is within the camera's range.




1. Activate AI Face Tracking:

Make a "  " gesture in front of the lens or press the AI button on the remote once. The green indicator light will turn on, indicating that the AI mode is active and the camera will follow your movements.

2. Deactivate AI Face Tracking:

Make an "  " gesture in front of the lens or press the AI button on the remote once. The green indicator light will turn off, indicating that the AI mode is inactive and the camera will no longer follow your movements.

3. Zoom Function:


Make a "  " or "spread" gesture in front of the lens or press the "  " and "  " buttons on the remote to zoom in or out.

Note:

When tracking is lost, the green light will blink, and when the object returns to the lens's range, the light will turn green again and automatically resume tracking.

While the AI function is active, the navigation buttons on the remote will be disabled.

4. Preset Feature :

Point the camera at the desired position, then press  " " button on the remote. The indicator will blink, then press a number button (choose between 1-5) to save that position.

To recall a preset, press the corresponding number button (choose between 1-5) to recall the saved preset.

Spesifikasi Produk :

Image Sensor	: 1/3 inch CMOS sensor
Video Capture Resolution	: 2K HD upto 2560*1440
Video Format	: MJPEG : 1080P@30fps; 2560*1440@30fps
Perspective	: D88°, H82°, V52°
White Balance	: Auto
Wide Dynamic Range (WDR)	: Support
Zoom Digital	: 3 Times
Humanoid Tracking	: Support
Movement	: Support
Contrast Adjustment	: Support
Preset Position	: Support
Long Distance Remote Control	: Support
Corner	: 340°
PC OS System	: Windows 7/Android 9.0/Mac OS 10.1 or above
Firmware Update	: Support
Connectivity Technology	: USB2.0 / USB Video Device Class
Input	: 5V/2.5A
Remote Control Infrared	: Support

Maintenance :

Please read the following recommendations before using JETE :

- Avoid exposing the device to water vapor or humid places. This can affect the internal circuit.
- Do not use cleaning solutions to clean the device.
- Do not expose the device to extreme heat or cold, as this can damage the device or change certain plastic parts.
- Avoid exposing the device to sharp objects, as this can cause scratches and damage.
- Do not disassemble or modify the device.
- Do not drop the device, as this can damage the circuitry.
- Always store the device at room temperature.

How to Warranty Claim JETE Product :

1. All warranty claims can be made at the list of Authorized Outlets listed on the warranty card.
2. Buyers can come to an authorized Outlet or contact Customer Service +62812-1739-3609 if they want to exchange the product online.
3. All expedition shipping costs / product postage are borne by the buyer.
4. When claiming the warranty, the buyer is MANDATORY to show the completeness of the warranty:
 - A purchase receipt that clearly states the name of the outlet and the date of the transaction.
 - The product must still be within the specified warranty period.
 - Warranty card that has been filled out.
 - Box / Packing Product.
5. Please inform the constraints / product damage that occurs to our staff.
6. WARRANTY DOES NOT APPLY if USER DAMAGE is found, namely :
 - BROKEN, CRACKED, BURNED, DROPPED, MODIFIED BY YOURSELF, SUBMERGED IN WATER.
7. If there are problems during warranty claims or other questions, please contact Customer Service +62812-1739-3609.

Terms and Conditions of Warranty :

1. This warranty is valid for 2 years for original JETE products.
2. This warranty is valid for the warranty period stated on the product packaging since the date of sale.
3. During the warranty period, the user is exempt from any replacement costs that may occur.
4. The user must show the warranty card and purchase receipt when applying for a warranty.
5. The warranty applies to functional damage:
 - Disfunction.
 - Audio not detected.
 - Indicator off.
 - Battery damage.
6. This warranty DOES NOT APPLY if:
 - PRODUCT IS BROKEN, CRACKED, BURNED, FALLEN,
 - MODIFIED YOURSELF, SOAKED IN WATER.
 - Supporting accessories such as: cables, adapters, etc.
 - Abnormal use, not stored properly, natural disasters, modified, or anything intentionally.
 - The product has been repaired by a third party.
 - The data is not filled in completely by the seller and buyer.
 - Damage caused by user error.
 - The product warranty period has expired.

**2 YEARS
WARRANTY**



Contact Us

JETE WARRANTY POINTS

