

# JETEX

**WARRANTY CARD and  
USER MANUAL**

**TWS TG101**



e-Usermanual

**IMPORTIR**

**PT. DORAN SUKSES INDONESIA**

Jl. Lebak Jaya 2 Tengah No. 2, Surabaya

**CUSTOMER SERVICE**

 **081217393609**

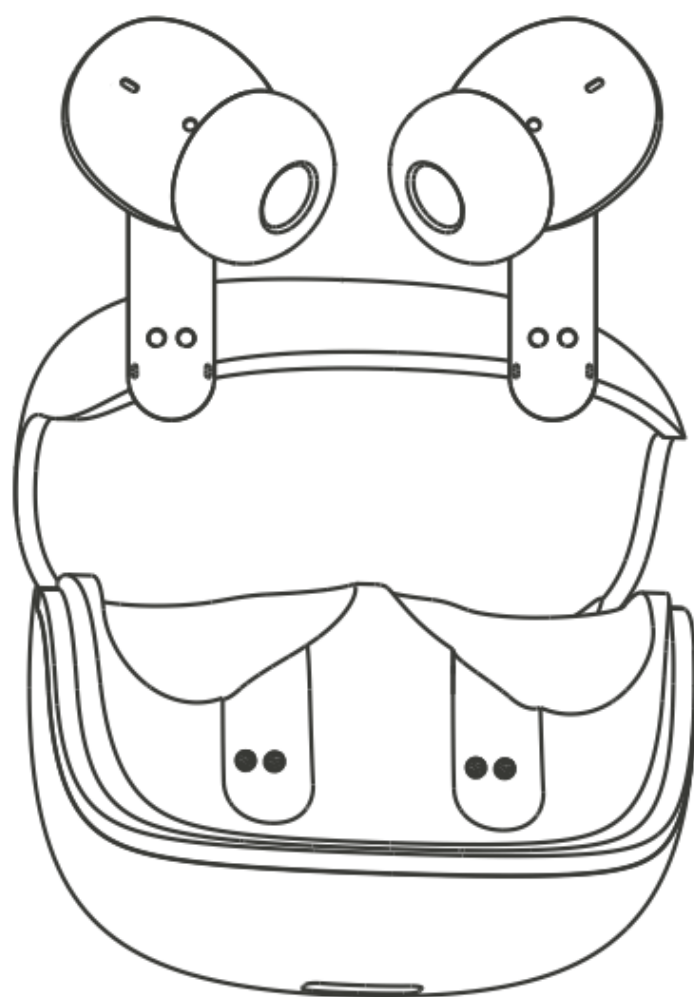
 [jete.id](http://jete.id)  [jeteindonesia](https://www.instagram.com/jeteindonesia)

 [jeteindonesia](https://www.facebook.com/jeteindonesia)  [jeteindonesia](https://www.twitter.com/jeteindonesia)

# JETE X

## USER MANUAL

TWS TG101



Please read the process carefully  
before using the product

## Product Introduction :

Thank you for purchasing JETE products. For optimal and safe performance, please read the instructions carefully before using this product.

## Package Content :

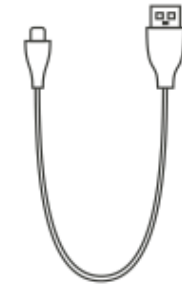


Charging Case



Eartips \*2

Earbud \*2

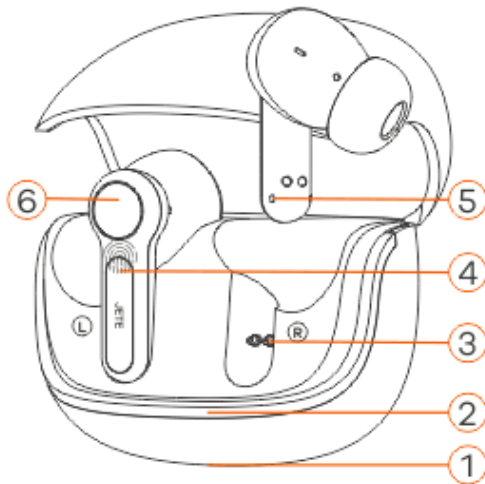


Charging Cable



User Manual

## Description Structure Product :



1. Port pengisian Type-C
2. LED indikator kotak pengisian
3. Charging pin
4. MFB (Multifunction Button)
5. Mikrofon
6. LED Indikator Earbud

## Tips :

Gently insert the earbuds into your ears and adjust the position to fit your ears.



## Notes :

Please remove the plastic seal from both ends of the earbuds and ensure they are charged in the charging case for approximately 10 minutes for optimal performance.

## How to Use :

### How to Turn On the Earbud :

- Take the earbuds out of the charging box to switch on.
- If the earbuds are out of the charging box and turned off, press 5 seconds on the left or right earbuds to turn on the earbuds.

### How to Turn Off the Earbud :

- Put the Earbuds into the charging box and rotate the characters, so that the earbuds will not fall out.
- When the earbuds are outside the charging case, touch either the left or right earbud for 5 seconds.

### How to Connect the Device with Earbud :

- Take the earbuds out of the charging box
- Switch on bluetooth on the device
- Then switch on search and select "JETE-T13"
- The earbuds are ready for use
- If within 180 seconds of the earbuds activating you do not pair with bluetooth on your device. the earbuds should be restarted.

### Notes:

- The earbuds will automatically connect to the previous device when switched on.
- The connection will be lost when you go out of range and will automatically reconnect when you return to range within 3 minutes.

### How to Answer Incoming Call :

Press once at the earbud on the right/left to answer the call

Note : Some devices can only answer calls through their own device. Please refer to your device's specific instructions for further guidance.

### **How to End a Call :**

Press once at the earbud on the right/left to end the call.

### **How to Reject a Call :**

Press the 2 seconds at the earbud on the right/left to reject the call.

### **How to Controll Music :**

- Play/Pause : Press once at the earbud on the right/left to Play/pause music.
- Next song : Press 3 times at the earbud on the right for play music next.
- Previous song : Press 3 times at the earbud on the left for play music previous.

### **How to Increase & Decrease Volume :**

- Increase volume : Press 2 times at the earbud on the left for increase volume.
- Decrease volume : Press 2 times at the earbud on the right for decrease volume.

### **How to Active Feature Voice Assistant :**

Press 2 times at the earbud on the right for active voice assistance.

### **How to use Mono Mode on earbud :**

- Simply taking one earbud out of the case will automatically connect it to your last device.
- Then play the music (This mode also supports music playback and phone calls).

### **How to Factory Reset :**

- Press 6 times at the earbud on the left/right for reset earbud.

### **How to Change Mode :**

Press 2 times at the earbud on the right earbud for change game mode and music.

## How to Charge :

- **Charging Case**

Charge the box, the indicator will flash red while charging then the indicator will flash after charging.

- **Earbud**

Put the earbuds into the charging box to charge, the earbuds indicator will be red and the indicator will turn off when the earbuds battery is fully charged.

## Spesification :

Bluetooth	: V5.3
Driver	: $\Phi$ 10mm
Wireless Range	: 10M
Frequency	: 20Hz~20KHz
Earbud Battery	: 40mAh*2
Charging Case Battery	: 500mAh
Standby Time	: 300 Hour
Talk Time	: 12 Hour
Sensitivity	: -38 $\pm$ 1dB
Charging Time	: 1.5 Hour
Input	: DC 5V/1A
Impedance	: 32 $\Omega$ $\pm$ 15%
Weight	: 7.9g (Earbud), 28.9g (Kotak pengisian daya)



## Maintenance :

Please read the following recommendations before using JETE

- Avoid exposing the device to water vapor or humid places. This can affect the internal circuit.
- Do not use cleaning solutions to clean the device.
- Do not expose the device to extreme heat or cold, as this can damage the device or change certain plastic parts.
- Avoid exposing the device to sharp objects, as this can cause scratches and damage.
- Do not disassemble or modify the device.
- Do not drop the device, as this can damage the circuitry.
- Always store the device at room temperature.

## How to Warranty Claim JETE Product :

1. All warranty claims can be made at the list of Authorized Outlets listed on the warranty card.
2. Buyers can come to an authorized Outlet or contact Customer Service +62812-1739-3609 if they want to exchange the product online.
3. All expedition shipping costs / product postage are borne by the buyer.
4. When claiming the warranty, the buyer is MANDATORY to show the completeness of the warranty:
  - A purchase receipt that clearly states the name of the outlet and the date of the transaction.
  - The product must still be within the specified warranty period.
  - Warranty card that has been filled out.
  - Box / Packing Product.
5. Please inform the constraints / product damage that occurs to our staff.
6. WARRANTY DOES NOT APPLY if USER DAMAGE is found, namely:
  - BROKEN, CRACKED, BURNED, DROPPED, MODIFIED BY YOURSELF, SUBMERGED IN WATER.
7. If there are problems during warranty claims or other questions, please contact Customer Service +62812-1739-3609



## Terms and Conditions of Warranty :

1. This warranty is valid for 2 years for original JETE products.
2. This warranty is valid for the warranty period stated on the product packaging since the date of sale.
3. During the warranty period, the user is exempt from any replacement costs that may occur.
4. The user must show the warranty card and purchase receipt when applying for a warranty.
5. The warranty applies to functional damage:
  - Disfunction.
  - Audio not detected.
  - Indicator off.
  - Battery damage.
6. This warranty DOES NOT APPLY if:
  - PRODUCT IS BROKEN, CRACKED, BURNED, FALLEN,
  - MODIFIED YOURSELF, SOAKED IN WATER.
  - Supporting accessories such as: cables, adapters, etc.
  - Abnormal use, not stored properly, natural disasters, modified, or anything intentionally.
  - The product has been repaired by a third party.
  - The data is not filled in completely by the seller and buyer.
  - Damage caused by user error.
  - The product warranty period has expired.

**2 YEARS  
WARRANTY**

**NEW REPLACEMENT  
FOR ANY FAULTS \*T&C**



Contact Us

**JETE WARRANTY POINTS**

