

JETE

WARRANTY CARD and USER MANUAL

VIDEO CONFERENCE JETE PTZ 3X OPTICAL ZOOM



e-Usermanual

IMPORTIR

PT. DORAN SUKSES INDONESIA

Jl. Lebak Jaya 2 Tengah No. 2, Surabaya

CUSTOMER SERVICE



081217393609



jete.id



jeteindonesia



jeteindonesia

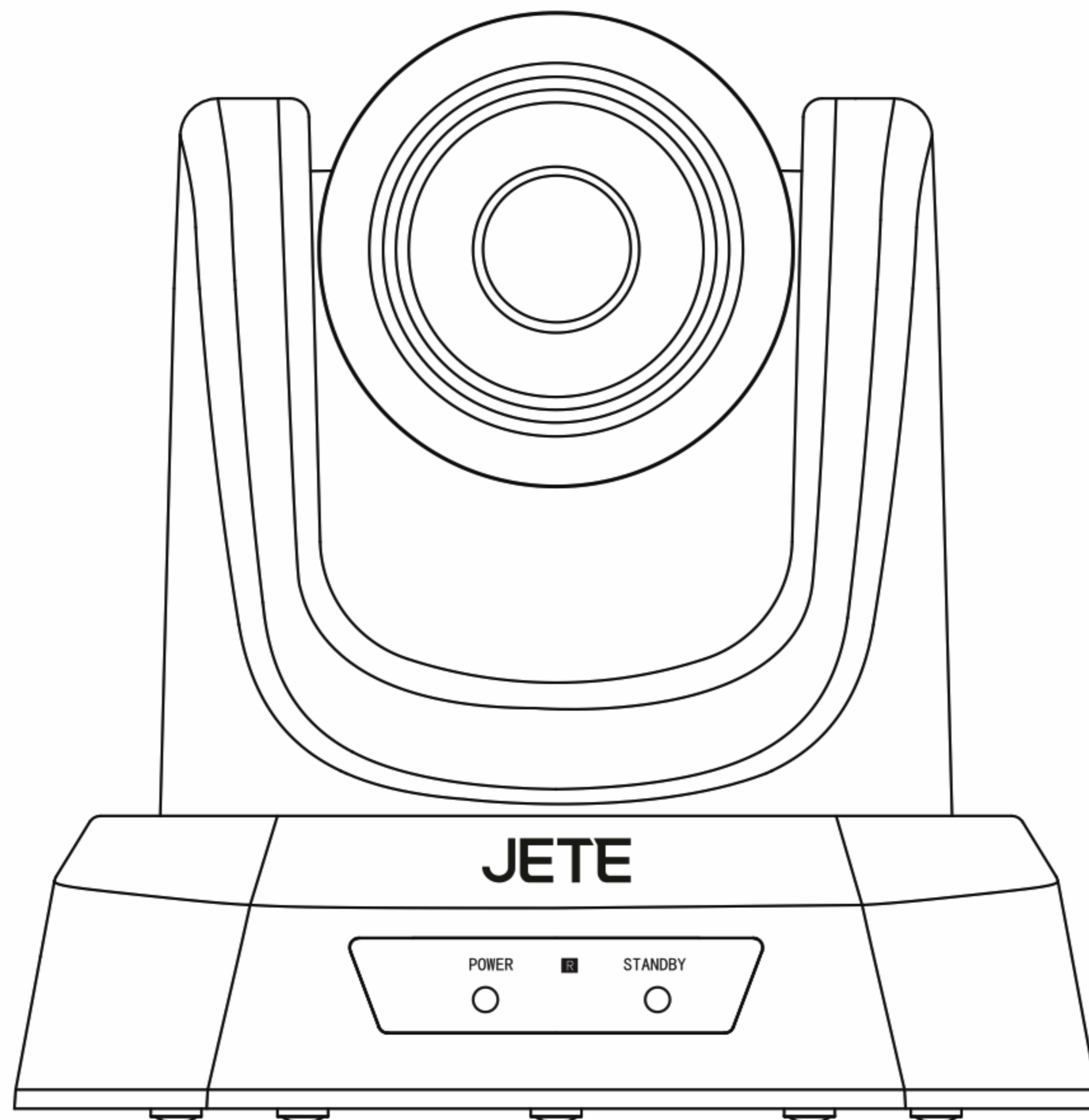


jeteindonesia

JETE

USER MANUAL

VIDEO CONFERENCE JETE PTZ 3X OPTICAL ZOOM



IMKG.1573.10.2021

Please read the instructions carefully
before using the product.

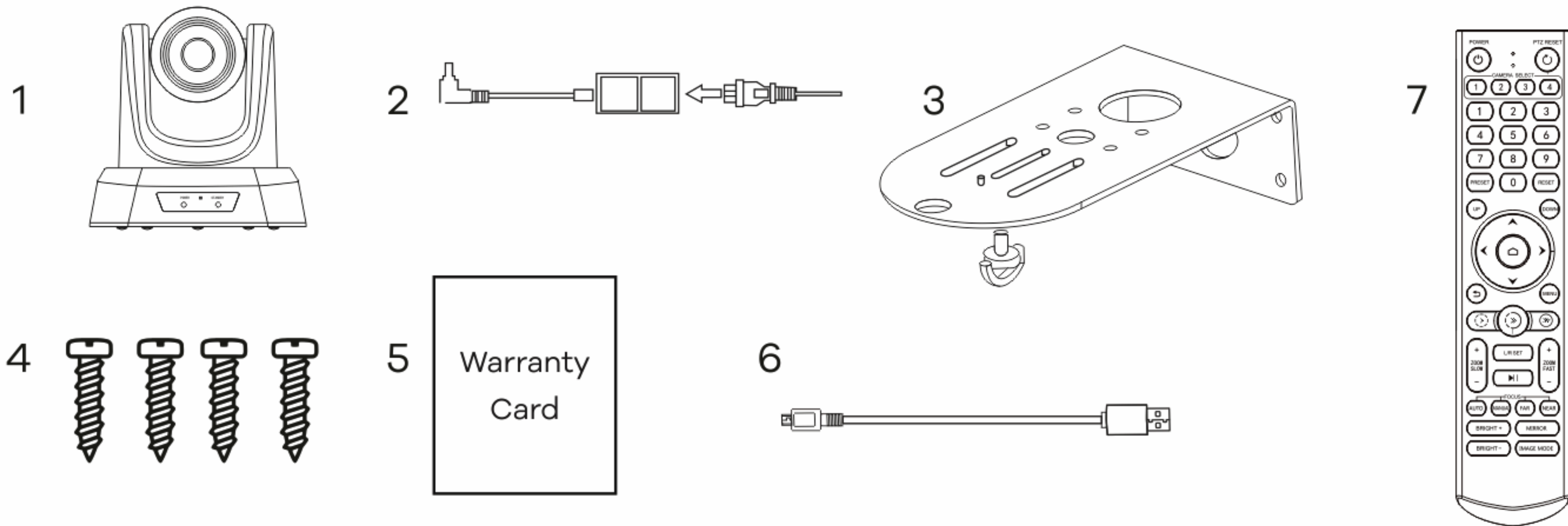
TABLE OF CONTENTS :

1. Description Product	1
A. Package Content	1
2. Spesification	1
A. Parameter Technology	1
B. Camera	2
3. Struktur Produk	3
A. Camera	3
B. Install Camera	3
4. Safety Instructions	3
A. How to install on a flat surface	3
B. How to install on the ceiling	3
5. Remote Control Button Description	4
6. Camera Settings Menu	5-8
7. Camera Operation	9
8. Attention	10
9. Maintenance	10
10. How to Warranty Claim JETE Product	10
Warranty Card	11-13
12. Term and Condition of Warranty	11-13

1. DESCRIPTION PRODUCT

Thank you for purchasing JETE products for optimal and safe performance. it is expected to read the instructions well before running this product.

A. Package Content



- 1. JETE PTZ 3X ZOOM
- 2. DC 12V Power Supply
- 3. Socket Bolt
- 4. Bolt
- 5. User Manual
- 6. USB Cable
- 7. Remote Control

2. SPESIFICATION

A. Parameter Technology

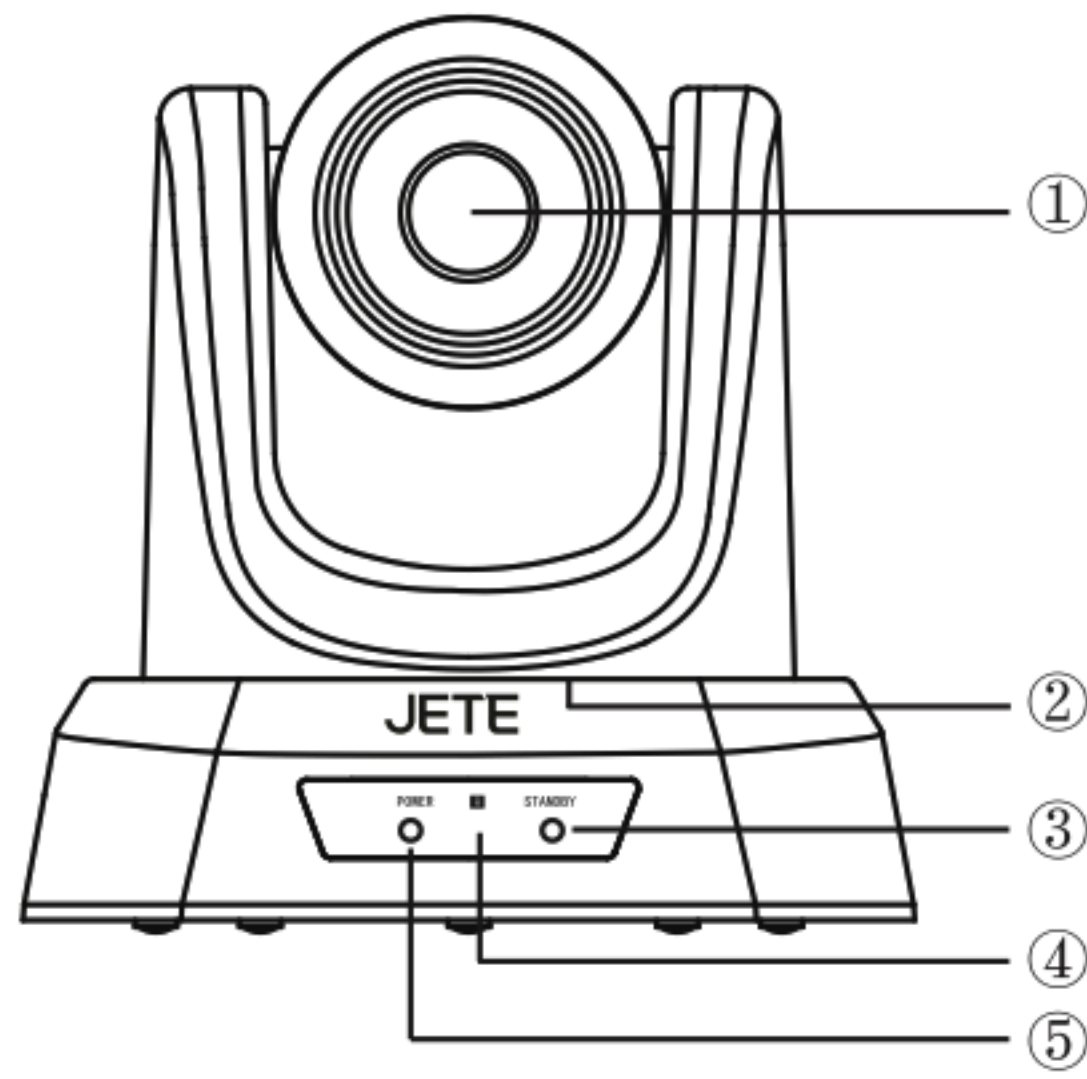
ELECTRICITY		COMUNICATION	
Voltage	DC12V	Baud	9600/38400bps
Power	12V	Protocol	VISCA/PELACO-D/PELACO-P
Decoder	Internal	Date set	0-64
OPERATION		ENVIRONMENT	
Horizontal Round	±175°	Room temperature	0° ~ 50°
Vertical Round	90°	Operational Temperature	0° ~ 95° Tanpa - kondensasi
Rotation Speed	100/s		
PHYSICAL		INSTALLATION METHOD	
Control Point	Preset point : 9 For remote Control, 255 for PELCO 64 For VISCA	Table mounted, wall hanging, tripod	
Weight	1.46 Kg		

B. Camera

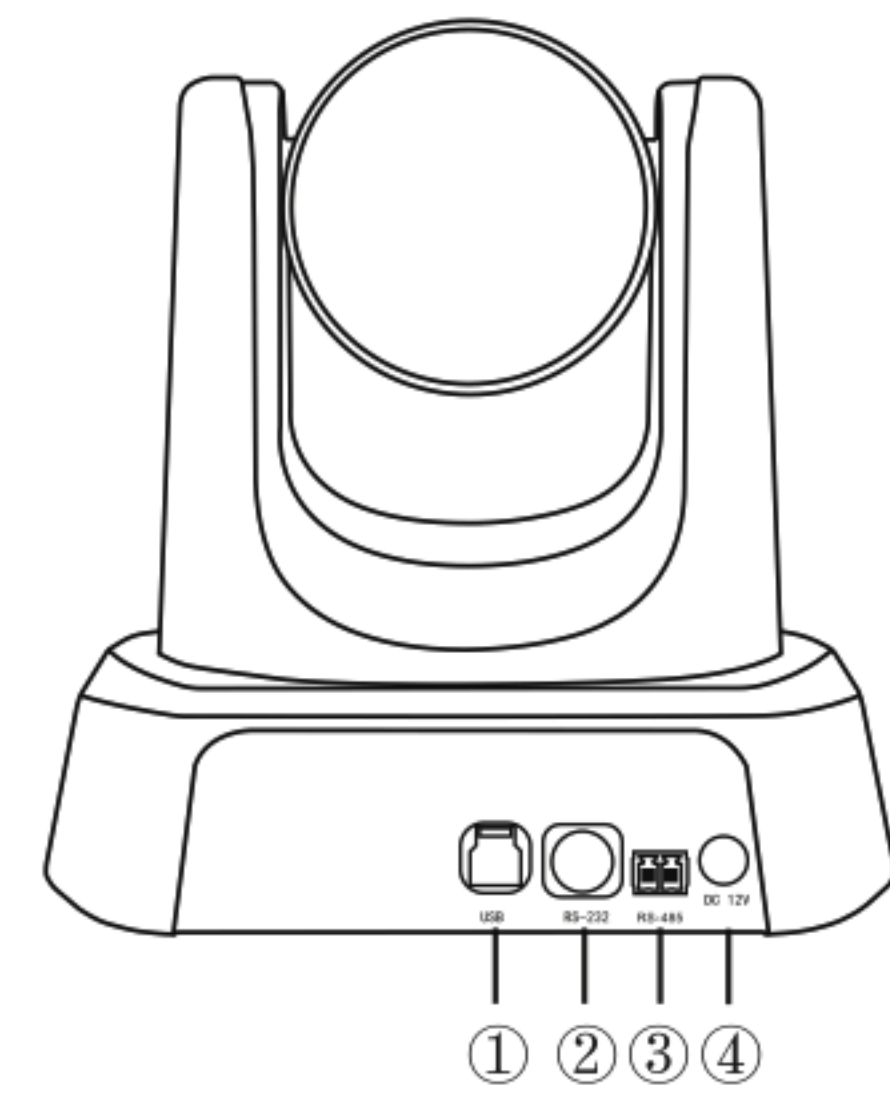
Model	PTZ 3x zoom
Sensor	1/2.8"SONY CMOS
Pixel	2.38 mega pixel
Video Signal	1080p@60/50/30/25fps, 720p@60/50/30/25fps
Zoom	3X optical zoom
Lensa	f=2.38-7mm
Aperture	F1.96-3.64
Angle Horizontal	103.69°(W)-42.12°(T)
Angle Vertical	67.14°(W)-24.87°(T)
Angle Diagonal	113.91°(W)-47.55°(T)
Output	USB 3.0
Format Encoding Video	H.264, H.265, MJPG, YUY2
Resolution Video	1080P (1920 *1080) etc
Standard Signal	NTSC/PAL
Potition Preset : 10 Preset	User can set up to 255 presets (10 presets by IR remote)
Interface Control	RS-232 (input only), RS-485
Shutter	1/30s-1/10000s, auto
Baud Rate	2400/4800/9600/38400bps
Protocol Control	VISCA, PELCO-D, PELCO-P(RS-232, RS-485)
Protocol USB	UVC1.1
Minimal Illumination	0.1Lux
SNR	≥50dB
Rotation Horizontal	350° (±175°) 0.1°/s ~ 100°/s
Rotation Vertical	180° (±90°)0.1°/s ~ 80°/s
Power Supply	DC 12V/2A
Power Consumption	12W
Temperature	0°~+50°
Moisture	0~95% RH
Size Product	181*184*174mm/285*217*197mm(before / after packing)
Weight Product	1.5kg/2.0kg (net / gross weight)
Accesories	1*DC 12V Power adaptor, 1*IR remote control, 1*Manual, 1*USB3.0 Cable, 1*Ceiling bracket & screws.

3. STRUCTURE PRODUCT

A. Camera

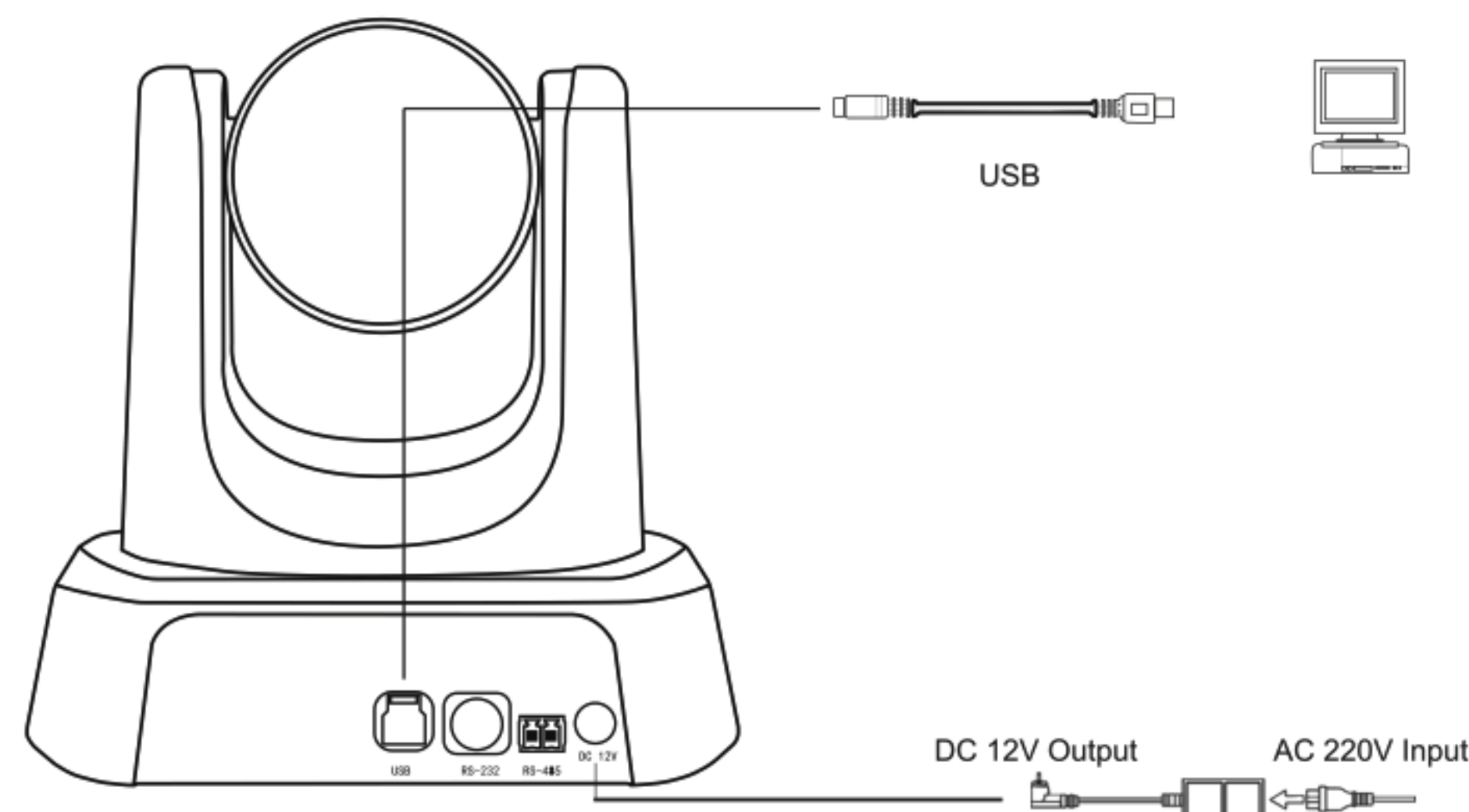


- 1. Lensa
- 2. Pan & Tilt
- 3. Indikator Stanby
- 4. Remote Indicator
- 5. Power Indicator



- 1. Port USB
- 2. Port RS-232
- 3. Port RS-485
- 4. Port Adaptor Power

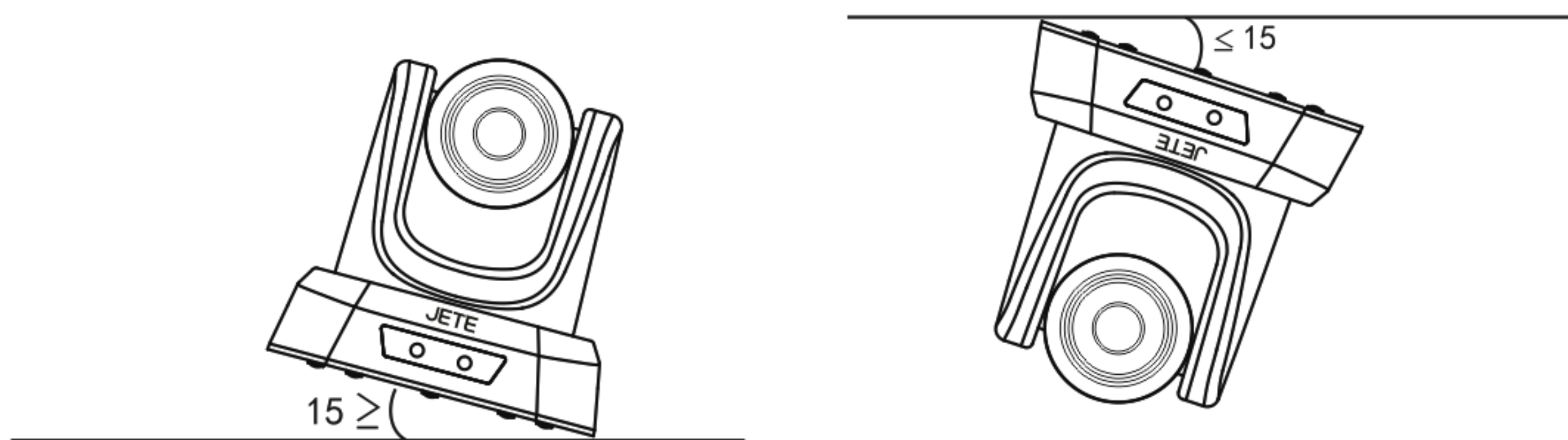
B. Install Camera



4. SAFETY INSTRUCTIONS

A. How To Installing On flat surfaces

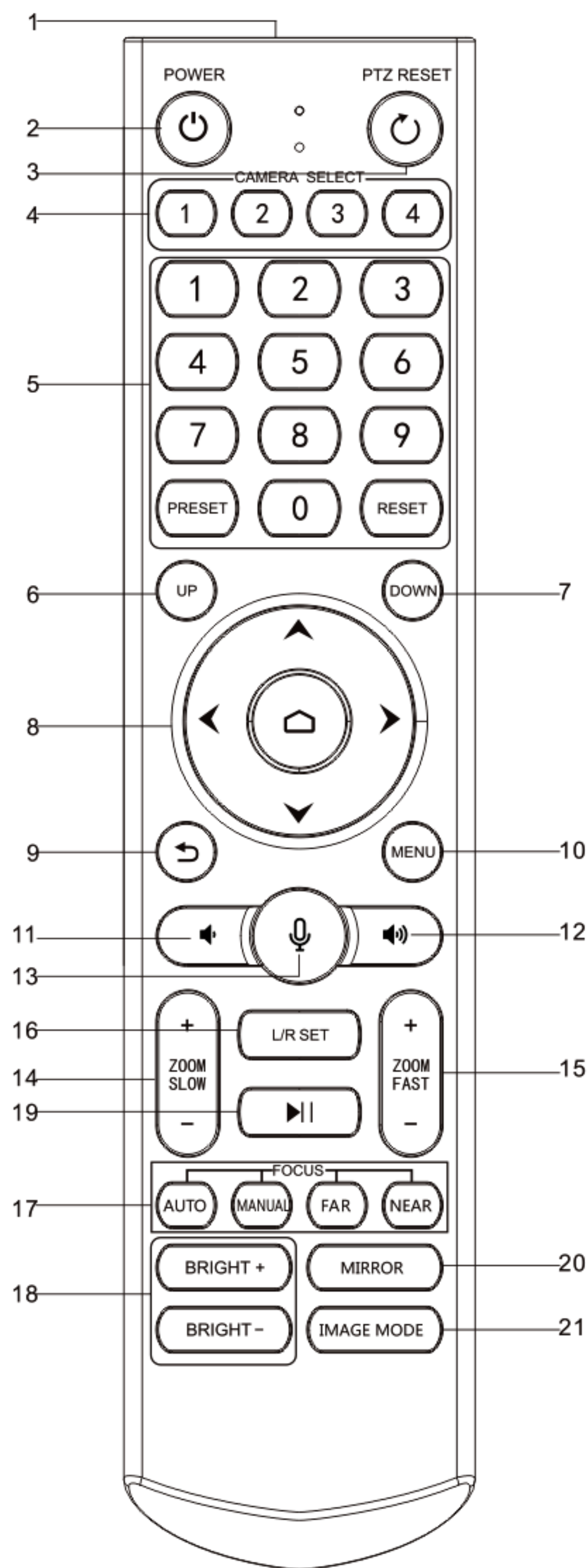
Place the camera on a flat surface, if you want to place the camera on a tilted surface, please make sure the tilt angle is less than 15 degrees to ensure normal work.



B. How to install on the ceiling

<p>1. Pemasangan Soket Baut</p> <p>langit-langit</p> <p>Socket bolt (used for wall or ceiling mounting)</p> <p>Install the socket vertically and place a bolt in each hole</p>	<p>2. Camera Installation</p> <p>Socket for camera,</p> <p>Rotate the camera clockwise to install it.</p>
---	--

5. DESCRIPTION REMOT CONTROL BUTTON



No	Nama	Function
1	Sensor	Sensors on the remote
2	Power	If pressed, the camera will enter standby mode, if pressed again, the camera will turn on
3	Reset	Button to reset the camera
4	Camera Select	Button to select which camera to control
5	Potition	Pengaturan tombol posisi, termasuk 【PRESET】 dan 【RESET】
6	Up	Normal camera view
7	Down	Gives a horizontally inverted effect
8	Control Button	Button to adjust camera motion: right, left, up and down press the (⏪) button to return to the starting position
9	Back	To return to the previous menu
10	Menu	Menu Button
11	◀	Volume -
12	▶	Volume +
13	🔇	Microphone Mute
14	Zoom Slow	Zoom out/slowly zoom in
15	Zoom Fast	Zoom in/out quickly
16	L/R Set	Press for 10 seconds this button to set the camera direction right/left (camera motion in opposite direction)
17	Focus Button	Auto/Manual/Far/Near focus setting
18	Bright + & -	adjust brightness
19	▶	Play/Pause camera
20	Mirror	Give reverse effect
21	Image mode	There are 3 picture modes that can be changed normal, PC, Bright

Attention to remote control

1. Please check the indicator on CAMERA SELECT indicator will be red remotely marked has been activated
2. If the indicator is not on not on, please replace it with a new battery
3. Make sure the remote selects the correct camera to operate it

6. CAMERA MENU SETTINGS

Menu Description

Press the menu button on the remote to enter the main menu of the video camera.

A. Main Menu

Main Menu	

Exposure	
Color	
Image	
P/T/Z	
Communication	
Information	
Restore Default	
Language	English
[Home]	Enter
[Menu]	Back

Language; Supported languages English and Chinese Press the Home button to enter the submenu.

B. Menu-Exposure

Main Menu	

Exposure	
Color	
Image	
P/T/Z	
Communication	
Information	
Restore Default	
Language	English
[Home]	Enter
[Menu]	Back

Exposure	

Mode	Auto
Backlight	On/Off
ExpComp	1
Flicker	50Hz
[Return]	

- Mode : Auto/Manual
- Backlight : On/Off backlight
- ExpComp: Exposure compensation, dengan Opsi -50--+50
- Flicker : Support Off/50Hz/60Hz

When changing the exposure mode to manual, the sub menu will be like this:

Exposure	
Mode	Manual
Iris	F1.6
Shutter	1/10000~1/25
Gain	50
Flicker	50Hz
[Return]	

- Iris : Focus setting, there are several options (F1.6/F2.0/F2.0/F2.4/F2.8/F3.4/F4.0/F4.8/F5.6/F6.8/F8.0/F9.6).
- Shutter: Shutter setting options between 1/10000 and 1/25
- Gain : Setting to increase Exposure option between 0-99
- Flicker : Support Off/50Hz/60Hz.

C. Menu – Color

Main Menu	
Exposure	
Color	
Image	
P/T/Z	
Communication	
Information	
Restore Default	
Language	English
[Home]	Enter
[Menu]	Back

Color	
Brightness	50
Contrast	50
Hue	50
Saturation	50
Sharpness	50
WB Mode	Auto
Rtuning	50
Btuning	50
[Return]	

- Brightness: Sets the brightness with a default of 50 and options between 0-99
- Contrast : Sets the Contrast with a default of 50 and options between 0-99
- Hue : Set other colors with default 50 and options between 0-99
- Saturation : Set the color effect with default 50 and options between 0-99
- Sharpness : Set the sharpness of the image with default 50 and options between 0-99
- WB mode : Auto/Manual/VAR

When WB Mode is in auto, Rtuning and Btuning can be set between 0-99

When WB mode is manual, the sub menu will be like this

Color	
Brightness	69
Contrast	53
Hue	50
Saturation	55
Sharpness	50
WB Mode	Manual
Rtuning	50
Btuning	50
Rgain	50
Bgain	50

- WB mode in manual state, Rgain and Bgain can be set between 0-99

- When WB mode is in VAR state, the sub menu will be like this
- Color Temp range can be set between 2500K-9000K

Color	
Brightness	69
Contrast	53
Hue	50
Saturation	55
Sharpness	50
WB Mode	VAR
Color Temp	5600
Rtuning	50
Btuning	50
[Return]	

Color	
Brightness	69
Contrast	53
Hue	50
Saturation	55
Sharpness	50
WB Mode	VAR
Color Temp	5600
Rtuning	50
Btuning	50
[Return]	

D. Menu – Image

Main Menu	
Exposure	
Color	
Image	
P/T/Z	
Communication	
Information	
Restore Default	
Language	English
[Home]	Enter
[Menu]	Back

Image	
Flip	Off/On
Mirror	Off/On
Video Format	1080P60fps
Menu Mirror	On/Off
USB Mode	ISOC/BULK
Style	Bright
[Return]	

Flip: Make the image upside down (up/down)

- Mirror : Make the image upside down (left/right)

- Video Format : 1080P-60/50/30/25, 720P-60/50/30/25

- USB Mode : Iso/Bulk

Customize between isochronous transfer mode (ISO) and bulk transfer mode (BULK)

- Style Mode : Normal,PC,Bright

E. Menu – P/T/Z

Main Menu	
Exposure	
Color	
Image	
P/T/Z	
Communication	
Information	
Restore Default	
Language	English
[Home]	Enter
[Menu]	Back

P/T/Z	
Acc Curve	Fast/Middle/Slow
[Return]	

Acc Curve : Set the pan, tilt and zoom speed to Fast/Middle/Slow

F. Menu – Communication

Main Menu	
Exposure	
Color	
Image	
P/T/Z	
Communication	
Information	
Restore Default	
Language	English
[Home]	Enter
[Menu]	Back

Communication	
Protocol	Auto
Baudrate	9600
RC Address	1/2/3/4
[Return]	

The default setting is "Auto" as Option (VISCA/PELACO-D/PELACO-P/AUTO)
 Address: Camera address as option 1-7 in visca, 1-255 in PELCO-D, 1-32 in PELCO-P
 RC Address: set the remote to control the selected camera, with options 1/2/3/4.

G. Menu – Information

Main Menu	
Exposure	
Color	
Image	
P/T/Z	
Communication	
Information	
Restore Default	
Language	English
[Home]	Enter
[Menu]	Back

Information	
Model	HD Camera
Version	1.1.1.1
	2022-11-04
[Return]	

Model : HD Camera
 Version : 1.1.1.1
 Tanggal : 2022-11-04

*Attention: This version number is just an example, the correct version will appear if checked directly.

H. Menu – Restore Default

Main Menu	
Exposure	
Color	
Image	
P/T/Z	
Communication	
Information	
Restore Default	
Language	English
[Home]	Enter
[Menu]	Back

Restore Default	
Restore?	No
[Return]	

Restore : No/Yes

7. CAMERA OPERATION

A. General Usage Instructions

• Camera Select

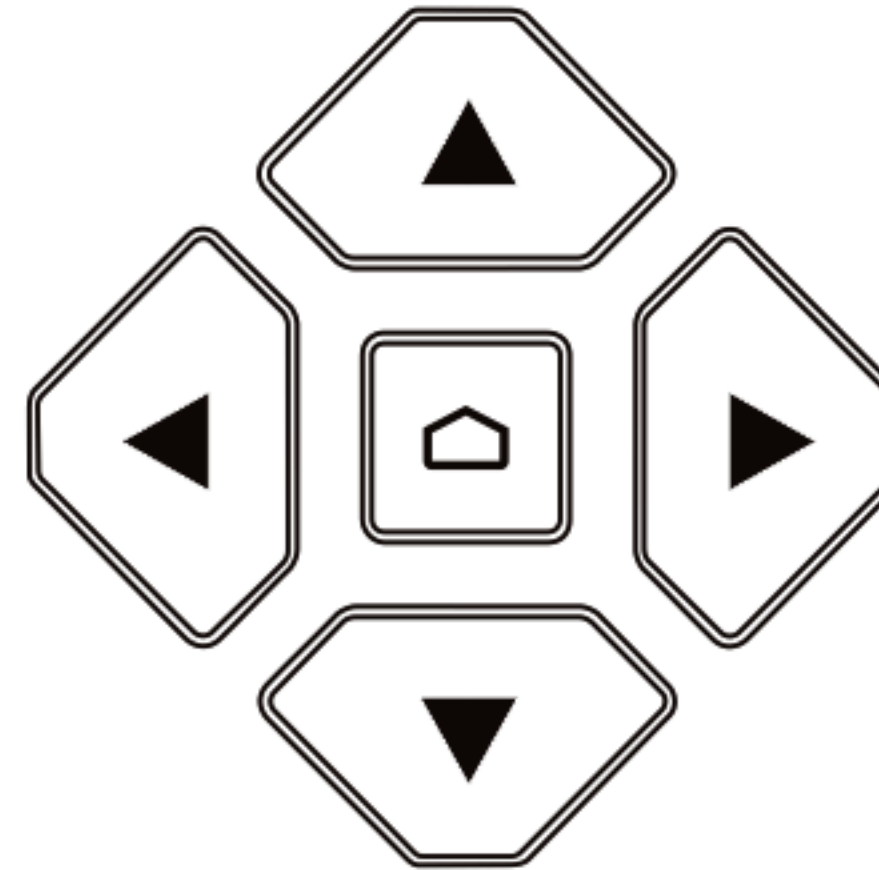
Used to select which camera to control according to the number (1-4) using 1 remote only.

* Works if you use more than 1 JETE PTZ camera simultaneously (Max 4).



• Camera direction control

- ▲ Top
- ▼ Down
- ◀ Left
- ▶ Right
- 🏠 Back



Notes: Press the direction button to move the camera, press the direction button when you want to change the angle. If you want to move the camera direction slowly, press the direction button quickly. If you want to move the camera direction quickly, simply press and hold the direction button longer.

• Pengaturan Fokus Kamera

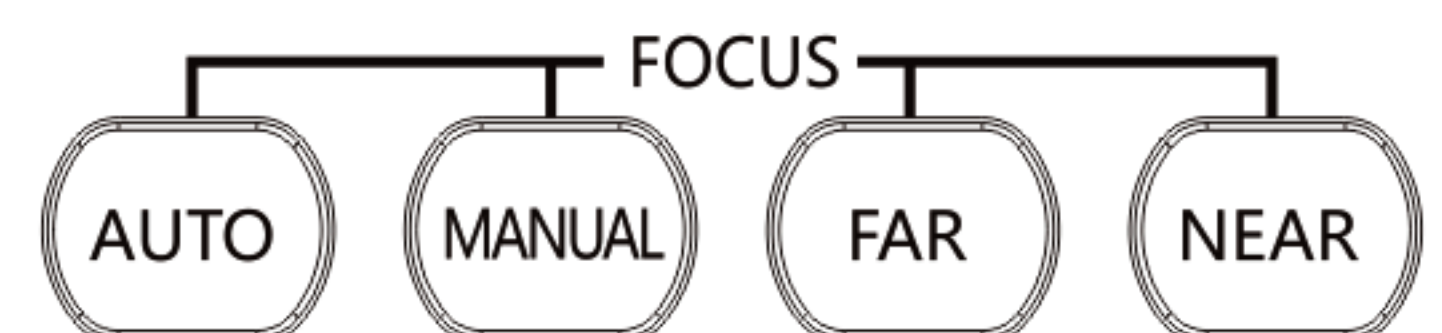
• Camera Focus Settings

(AUTO) Button for setting the focus automatically

(MANUAL) Button for setting the focus manually

(FAR) Button to set Focus to far

(NEAR) Button to set focus to close



• Camera Zoom Control

• Press one of the 4 buttons to zoom in or out on the image.



• How to lock the camera direction (PRESET)

1. Storing a preset: press the preset button and press one of the numbers (1-9) to store the preset at the following number

Note: you can only save presets 9x.

2. Using a preset : Press the numbers (1-9) to output the stored preset.

Notes: If this does not work, it means that there is no preset stored at that number.

3. Clearing a preset: press the (RESET) button and press one of the numbers (1-9) to clear the preset on the pressed button.



8. ATTENTION

If users have difficulty understanding, it is recommended to start with the initial or default version first and not change any menus. This will help build a basic understanding before moving on to more advanced or complex options.

9. MAINTENANCE

- Avoid excessive physical touch, excessive shock, and exposure to water.
- Pay attention to each camera component during installation and install the camera in the appropriate place.
- Avoid places that are too high and uneven terrain, to avoid dropping the camera.
- Hold the camera gently, do not press too hard, and do not touch the camera lens with your hands, so as not to scratch it, and do not reduce the quality of the lens.
- Do not use too much electrical power (use only ORIGINAL components), to avoid short circuits.
- Do not point the camera directly at the sun or other heat sources, this will cause the lens to become blurry and permanently damaged.
- Do not clean the camera lens with any liquid, it is recommended to blow it with a special camera blower.
- Do not disassemble the unit.

10. HOW TO WARRANTY CLAIM JETE PRODUCT :

1. All warranty claims can be made at the list of Authorized Outlets listed on the warranty card.
2. Buyers can come to an authorized Outlet or contact Customer Service +62812-1739-3609 if they want to exchange the product online.
3. All expedition shipping costs / product postage are borne by the buyer.
4. When claiming the warranty, the buyer is MANDATORY to show the completeness of the warranty:
 - A purchase receipt that clearly states the name of the outlet and the date of the transaction.
 - The product must still be within the specified warranty period.
 - Warranty card that has been filled out.
 - Box / Packing Product.
5. Please inform the constraints / product damage that occurs to our staff.
6. WARRANTY DOES NOT APPLY if USER DAMAGE is found, namely:
 - BROKEN, CRACKED, BURNED, DROPPED, MODIFIED BY YOURSELF, SUBMERGED IN WATER.
7. If there are problems during warranty claims or other questions, please contact Customer Service +62812-1739-3609

Date :

Name :

Telp. :

Address :

Model

Store :

11. TERMS AND CONDITIONS OF WARRANTY :

1. This warranty is valid for 2 years for original JETE products.
2. This warranty is valid for the warranty period stated on the product packaging since the date of sale.
3. During the warranty period, the user is exempt from any replacement costs that may occur.
4. The user must show the warranty card and purchase receipt when applying for a warranty.
5. The warranty applies to functional damage:
 - Disfunction.
 - Audio not detected.
 - Indicator off.
 - Battery damage.
6. This warranty DOES NOT APPLY if:
 - PRODUCT IS BROKEN, CRACKED, BURNED, FALLEN,
 - MODIFIED YOURSELF, SOAKED IN WATER.
 - Supporting accessories such as: cables, adapters, etc.
 - Abnormal use, not stored properly, natural disasters, modified, or anything intentionally.
 - The product has been repaired by a third party.
 - The data is not filled in completely by the seller and buyer.
 - Damage caused by user error.
 - The product warranty period has expired.

**2 YEARS
WARRANTY**



Contact Us

JETE WARRANTY POINTS

