

JETE

**WARRANTY CARD and
USER MANUAL**

**HANDY TALKY
H101**



e-Usermanual

IMPORTIR

PT. DORANSUKSES INDONESIA

Jl. Lebak Jaya 2 Tengah No. 2, Surabaya

CUSTOMER SERVICE



081217393609



jete.id



jeteindonesia



jeteindonesia

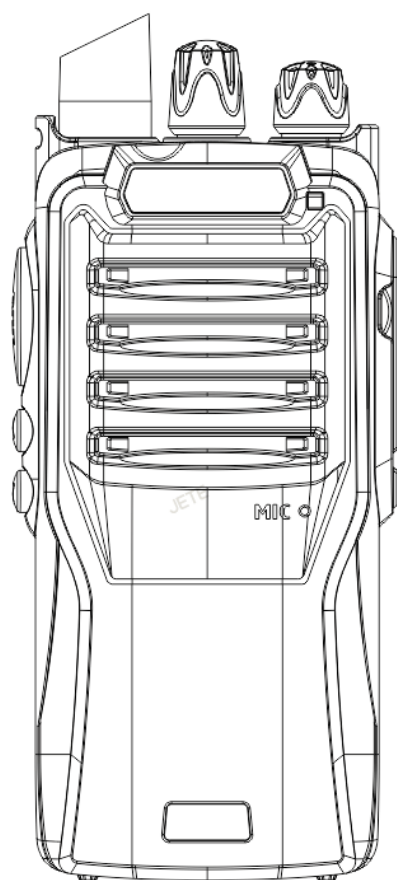


jeteindonesia

JETE

USER MANUAL

HANDY TALKY H101



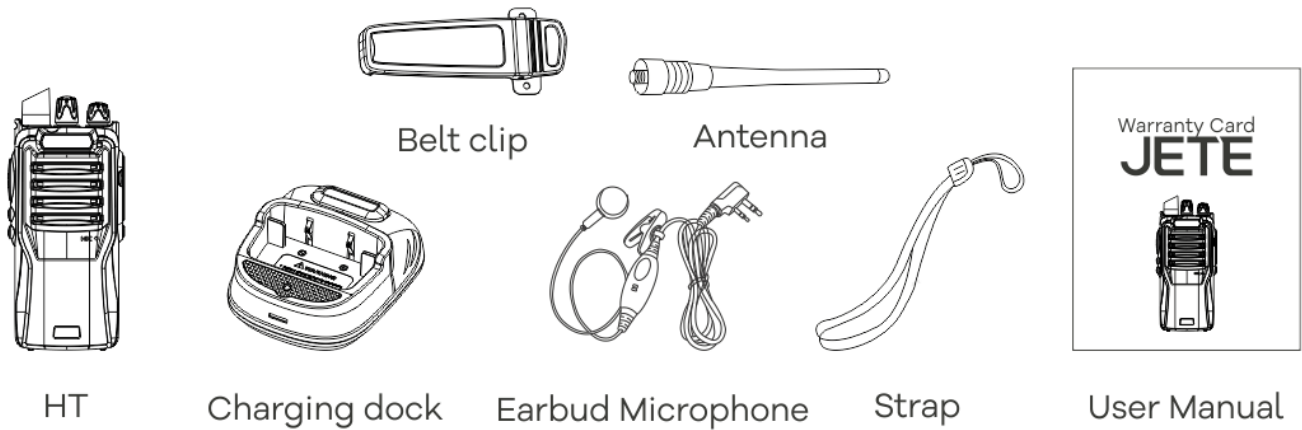
IMKG.706.04.2024

Please read the instructions carefully
before using the product.

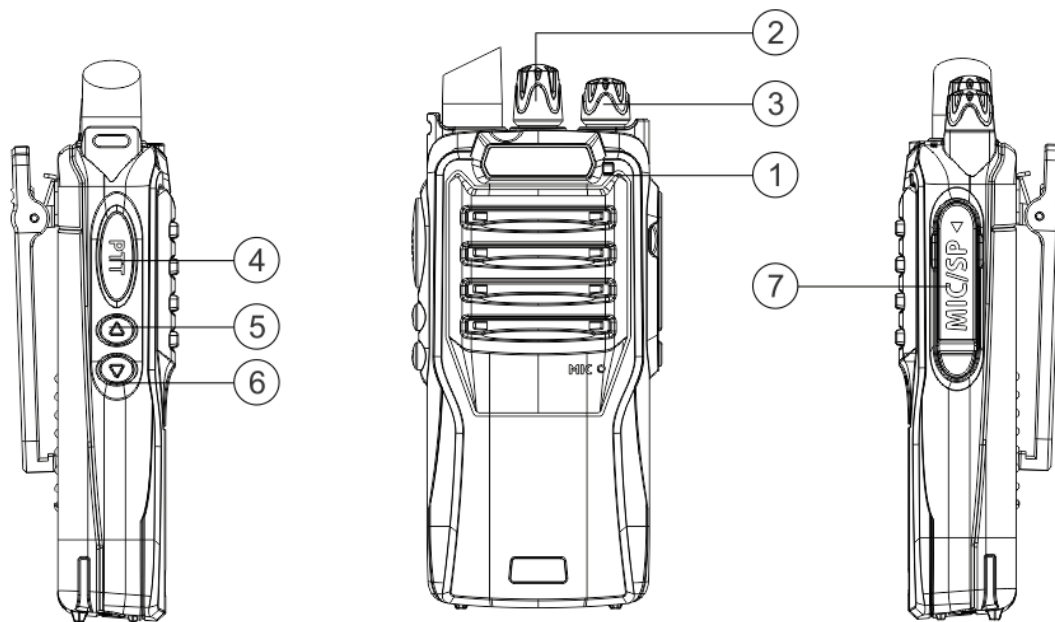
Product introduction :

The JETE Charger features 3 in 1 Wireless Charging, which makes charging much more compact and efficient, JETE EW101's total wireless charging output is 3W for Watch charging. 5W for Earphone charging, and 5W/7.5W/10W/15W for Smartphone charging.

Package content :



Product description :



- | | |
|------------------|-------------------|
| 1. Indikator LED | 5. Tombol Monitor |
| 2. Tuas Saluran | 6. Tombol Fungsi |
| 3. Tuas Daya/Vol | 7. Soket |
| 4. Tombol PTT | Speaker/Mikrofon |

How to Assemble :

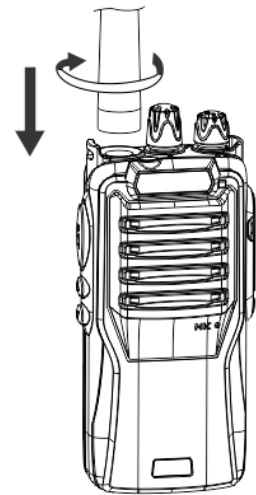
1. Antenna

This HT is equipped with an SMA male connector. To install the antenna (SMA Female Connector), follow these steps :

- Align the two connectors, making sure they are aligned and not tilted.
- Rotate the device clockwise until both connectors are tightly connected. when installing the antenna, it is the device that must be rotated, not the antenna.

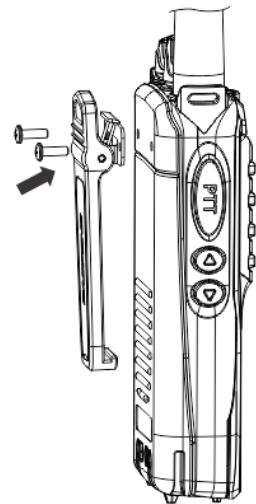
Notes :

- If using an external antenna, make sure the SWR is 1.5:1 or less to prevent damage to the transistor area.
- Hanging the antenna or carrying the device while holding the antenna may damage the components inside the antenna.
- never pair the HT if the antenna is not attached.



2. Belt Clip

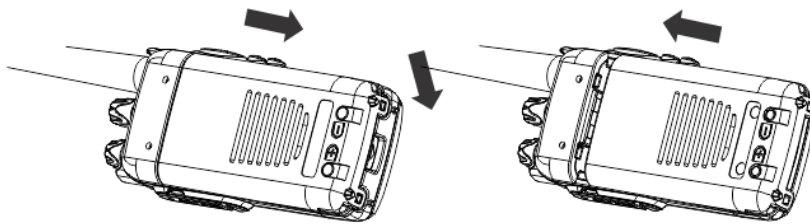
The back of the device, above the battery, there are 2 bolt holes, install the two bolts along with the belt clip, do not use any glue to fix, the use of glue will damage the battery protector.



3. Battery

A. How to Install

- Before uninstalling the battery, make sure the device is off, by turning the Volume/power wheel counterclockwise.
- With the (+) and (-) pins aligned, gently push the battery from bottom to top following the existing track.
- If you hear a "click" then the battery is installed perfectly.

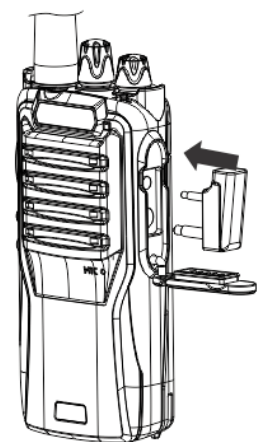


B. How to Remove

- Slide the bottom lever of the device according to the directions
- slide the battery down
- When the lock is unlocked, remove the battery from the device body.

4. External Headset

- Remove the SP/MIC PORT shield on the side of the device.
- Attach the External Headset to the provided port



Battery Charging and Maintenance

Charging the Battery

Follow the steps to set up and use the charger

- Connect the power adapter end to the charging dock
- Connect the power adapter to an electrical outlet
- Place the device or battery pack against the charger. Ensure that the device fits snugly in the dock. the device is charging when the indicator lights up in red.

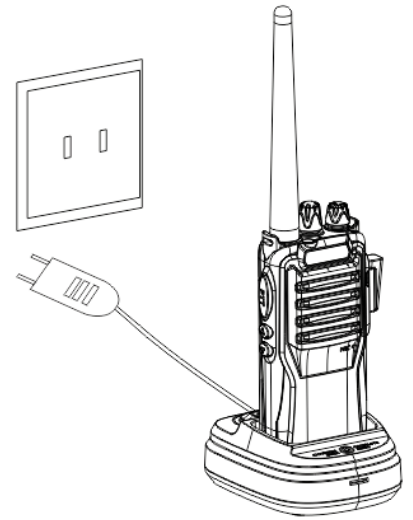
- The device is fully charged when the LED on the charger lights Green. Please remove the device once it is fully charged to avoid overcharging.

Battery Charging and Maintenance

Charging the Battery

Follow the steps to set up and use the charger:

- Connect the power adapter end to the charging dock
- Connect the power adapter to an electrical outlet
- Place the device or battery pack against the charger. Ensure that the device fits snugly in the dock. the device is charging when the indicator lights up in red.
- The device is fully charged when the LED on the charger lights Green. Please remove the device once it is fully charged to avoid overcharging.



Extend Battery Life

- Charge the battery only at normal room temperature
- when charging the battery attached to the device, turn off the device for faster charging.
- Do not disconnect the power to the charger or remove the battery and/or device before finishing charging.
- Never charge the battery when it is wet
- The battery will wear out over time. zero degrees. If the operating time of the device is drastically reduced, consider purchasing a new battery.
- Battery performance decreases at temperatures below zero degrees when working in cold environments, it is recommended to carry a spare battery, preferably in a jacket or similar place to keep the battery warm.
- Dust may interfere with the contacts on the battery. If necessary, clean the contacts with a clean cloth to ensure good contact with the device and charging.

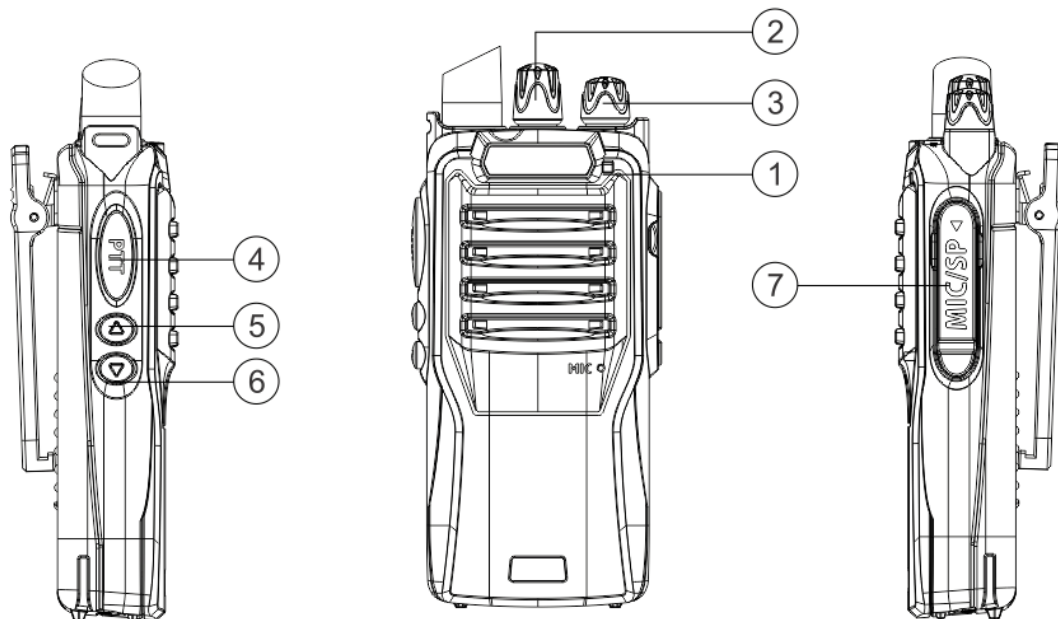
Storage

Before storing the device for an extended period of time, ensure that the battery is fully charged to prevent damage due to power loss. To avoid a drastic decrease in battery capacity during long-term storage, perform a battery charge cycle at least every six (6) months. Store the battery in a cool and dry place, and away from room temperatures that exceed normal temperatures.

If Exposed to Water

If the battery gets wet, remove it from the device, dry it with a towel, and place it in a plastic bag filled with dry rice, or silica gel.

Tie the plastic bag and let it sit overnight, the rice or silica gel will absorb the remaining moisture in the battery.



Description Product

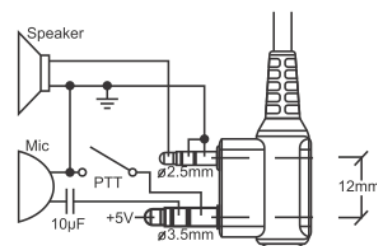
1. LED indicator displays red while transmission is in progress
2. Channel selection; Rotate to select a channel. 16 channels are available.
3. Power/volume control lever ; Turn clockwise to turn on the device. Turn further to increase the Volume. Turn fully counterclockwise to turn the device off.
4. PTT (Push To Talk) button; press this button, then speak into the microphone to send transmission, release the button to receive transmission.
5. Monitor Button ; Press and hold to hear background transmission. release to return to normal operation.
6. Monitor Button ; Press to activate the LED light
7. Speaker/microphone jack ; connect external speakers and microphone if required.

Jack Accessories

The Kenwood 2-pin connector has one 3.5mm TRS plug and one 2.5mm TS plug, with a 12mm gap between them.

For attaching accessories such as headsets, speakers, microphones, or PC USB cables:

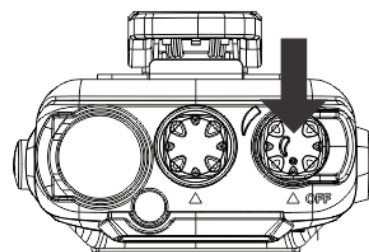
- Align the two connectors
- Push the plug in firmly until it is fully inserted
- Ensure that the device is powered off before attaching any accessories.



Basic Functions

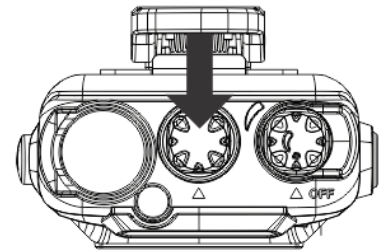
How to Turn on H101

- Turn the power lever clockwise until it clicks.
- then turn the power lever to increase the volume until a sound is heard indicating that the HT is active.
- Find the appropriate channel / the same as the other HT to start a conversation.
- there are 16 channels that can be used.



How to Choose a Channel

- Turn the channel lever to change channels 1-16.
- When turning the lever, there will be a sound that indicates what HT on what channel.



Transmission

- To start a conversation, press the PTT button and the indicator light will turn red.
- Start talking at a distance of approximately 2-3cm from the HT.

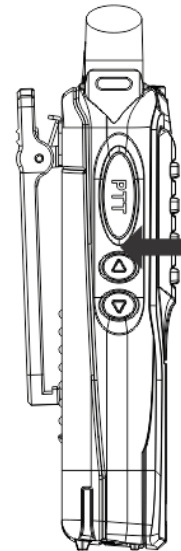
Advanced Function

Squelch Level

The purpose of this squelch function is to mute the device when no signal is captured (Squelch Off). when the squelch level is set, the sound will appear when only capturing a signal (squelch On). squelch level can be set via PC Software.

Time Limitation

The purpose of this time limiter function is to limit calls from channels that are used for a long time. using the same channel for a long time, can cause heat damage to the device. when the transmission is set for time limiter, a warning sound will appear.



Scanning

- This function is very important for monitoring certain frequencies without touching. When the device is set to scan through the software, select channel 16, and the device will automatically detect and scan all activities on channels 1-15.
- A. The device will stop scanning the channel when a signal has been detected, and will continue to scan for other signals.
 - B. If less than 2 channels are detected, scanning will not work.
 - C. When on Channel 16, press the PTT and MONI buttons simultaneously to turn the scanning function on or off.
 - D. Scanning will not work if the FM function is On

Voice Prompts

This voice hint serves to listen to what settings are used on the device.

1. How to turn on/off voice prompts

- In the off state, select channel 10, press the PTT and MONI buttons simultaneously, and then turn on the device, to turn on/off the voice prompts.

2. How to change the language

- In the off state, select channel 15, press the PTT and MONI buttons simultaneously, and then turn on the device, to turn on/off the voice prompts.

Voice Operated Transmission (VOX)

VOX serves to communicate without having to press the PTT button. VOX detects audio coming into the Microphone, and will automatically start transmission. to make optimal use of VOX, please use external headphones/earphones for live listening.

1. When using VOX, ensure that the vox settings allow the device to recognize the correct voice before starting transmission.
2. If the VOX level is too sensitive, the device will easily detect various kinds of ambient sounds.
3. If the VOX level is not too sensitive, the device will not pick up any sounds when speaking, and will not start transmission.
4. To turn VOX on and off, select a channel between 1-5, press the PTT and MONI buttons simultaneously, and then turn on the device.

The Emergency Alarm

The emergency alarm will emit a high-pitched sound from the device.

1. When on channel 11, press the PTT and MONI buttons together, then turn on the device.

Battery Saver

To save the battery of your device, the battery saving function will be activated automatically when the channel is not busy and no operation (Key Press or switch rotation) is performed for more than 10 seconds. the battery saving function will be active. the battery saver will turn off when the device performs an operation or receives a transmission.

Low Battery Warning

When the device's battery is low, a warning tone sounds and the LED indicator on the device blinks red.

1. To activate or deactivate the alarm function, press and hold the [PTT] and [MONI] buttons simultaneously while on channel 11, then turn on the device.

Monitor

The device monitor function can be used when no signal is received, this function turns off the speaker so that background noise is eliminated.

1. to turn off the monito squelch, press and hold the [MONI] button.

The Busy Channel Lockout

The busy channel lock function on this device prevents interference with other transmissions. when there is another transmission in progress on the same channel, simultaneous transmission is not allowed. when BCL is on, pressing the PTT button while another transmission is in progress will cause the device to emit a warning tone and your transmission is blocked until the ongoing transmission stops. releasing the PTT button during this time will stop the warning tone and return to Receive mode.

HT101 Channel Frequency List

| CH. | RX Freq(MHz) | CTC/DCS DEC | TX Freq(MHz) | CTC/DCS ENC |
|-----|--------------|-------------|--------------|-------------|
| 1 | 437.15000 | 69.3 | 437.15000 | 69.3 |
| 2 | 439.25000 | 100.0 | 439.25000 | 100.0 |
| 3 | 441.75000 | 151.4 | 441.75000 | 151.4 |
| 4 | 443.45000 | 203.5 | 443.45000 | 203.5 |
| 5 | 445.55000 | 241.8 | 445.55000 | 241.8 |
| 6 | 447.65000 | D023N | 447.65000 | D023N |
| 7 | 449.75000 | D114N | 449.75000 | D114N |
| 8 | 438.65000 | D205N | 438.65000 | D205N |
| 9 | 442.35000 | D306N | 442.35000 | D306N |
| 10 | 444.65000 | D411N | 444.65000 | D411N |
| 11 | 446.55000 | D503N | 446.55000 | D503N |
| 12 | 448.55000 | D606N | 448.55000 | D606N |
| 13 | 452.42500 | D703N | 452.42500 | D703N |
| 14 | 400.22500 | Off | 400.22500 | Off |
| 15 | 435.65000 | Off | 435.65000 | Off |
| 16 | 469.95000 | Off | 469.95000 | Off |

Maintenance :

Please read the following recommendations before using JETE :

- Avoid exposing the device to water vapor or humid places. This can affect the internal circuit.
- Do not use cleaning solutions to clean the device.
- Do not expose the device to extreme heat or cold, as this can damage the device or change certain plastic parts.
- Avoid exposing the device to sharp objects, as this can cause scratches and damage.
- Do not disassemble or modify the device.
- Do not drop the device, as this can damage the circuitry.
- Always store the device at room temperature.

How to Warranty Claim JETE Product :

1. All warranty claims can be made at the list of Authorized Outlets listed on the warranty card.
2. Buyers can come to an authorized Outlet or contact Customer Service +62812-1739-3609 if they want to exchange the product online.
3. All expedition shipping costs / product postage are borne by the buyer.
4. When claiming the warranty, the buyer is MANDATORY to show the completeness of the warranty:
 - A purchase receipt that clearly states the name of the outlet and the date of the transaction.
 - The product must still be within the specified warranty period.
 - Warranty card that has been filled out.
 - Box / Packing Product.
5. Please inform the constraints / product damage that occurs to our staff.
6. WARRANTY DOES NOT APPLY if USER DAMAGE is found, namely:
 - BROKEN, CRACKED, BURNED, DROPPED, MODIFIED BY YOURSELF, SUBMERGED IN WATER.
7. If there are problems during warranty claims or other questions, please contact Customer Service +62812-1739-3609

**2 YEARS
WARRANTY**

NEW REPLACEMENT
FOR ANY FAULTS *T&C



Contact Us

JETE WARRANTY POINTS

