

# JETE

**WARRANTY CARD and  
USER MANUAL**

**VIDEO CONFERENCE  
JETE GROUP**



e-Usermanual

IMPORTIR

**PT. DORAN SUKSES INDONESIA**

Jl. Lebak Jaya 2 Tengah No. 2, Surabaya

CUSTOMER SERVICE



081217393609



jete.id



jeteindonesia



jeteindonesia

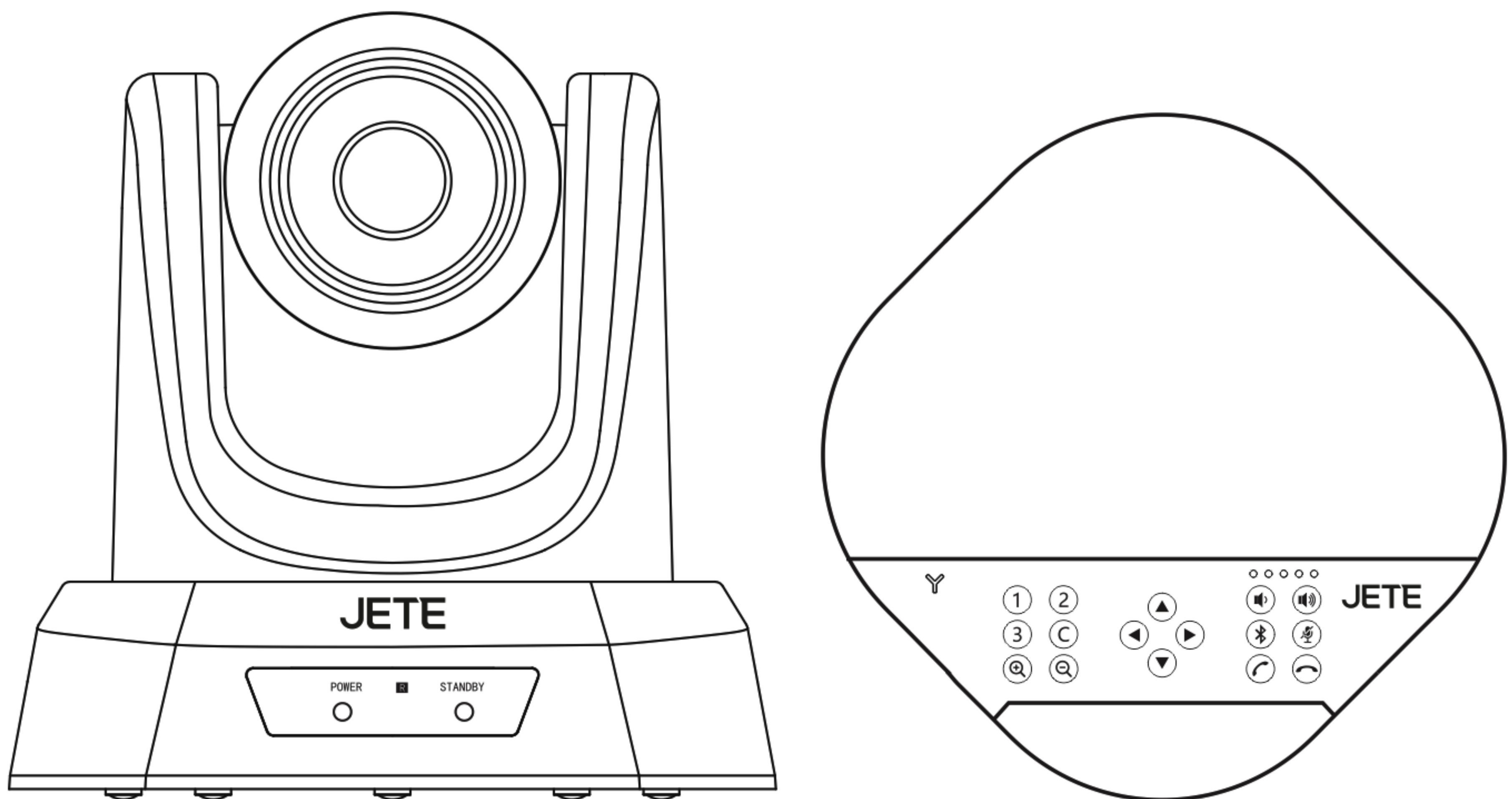


jeteindonesia

# JETE

## USER MANUAL

### VIDEO CONFERENCE JETE GROUP



**IMKG.1573.10.2021**

Please read the instructions carefully  
before using the product.

# Table of Contents :

Package Content -----	1
Structure Product	
2.1 Speakerphone -----	1
2.2 JETE Group Camera -----	1
2.3 HUB -----	2
Remot IR	
3.1 Remote Control -----	2
3.2 Speakerphone -----	2
Install Camera -----	3
Bluetooth Pairing -----	3
Indicatore Statue -----	3
Preset Camera -----	4
How to Instal For External Microphone (Opsional) -----	4
Spesification -----	5
Caution -----	6
Maintenance -----	6
How to Warranty Claim JETE Product -----	6
Term and Condition of Warranty -----	7
Warranty Card -----	8-10

## **CAUTION :**

Please read the user manual first, for the installation and operation of the JETE camera.

### **1. SAFETY INSTRUCTIONS**

To overcome damage that occurs, please use original cables/other supporting equipment.

- Avoid products with air/and other liquids.
- To reduce the risk of short circuit, do not disassemble the product. Service and maintenance may only be performed by a qualified technician.
- Do not use the product at high temperatures, avoid direct sunlight.
- Clean the product by wiping gently, use a dry cloth to clean the lens, wipe gently with a little detergent/cleaning tool if needed, do not use detergent that causes strong corrosiveness to avoid damage to the lens which will impact the image.

### **2. ELECTRICAL SAFETY**

Installation and use of this product must comply with electrical standards.

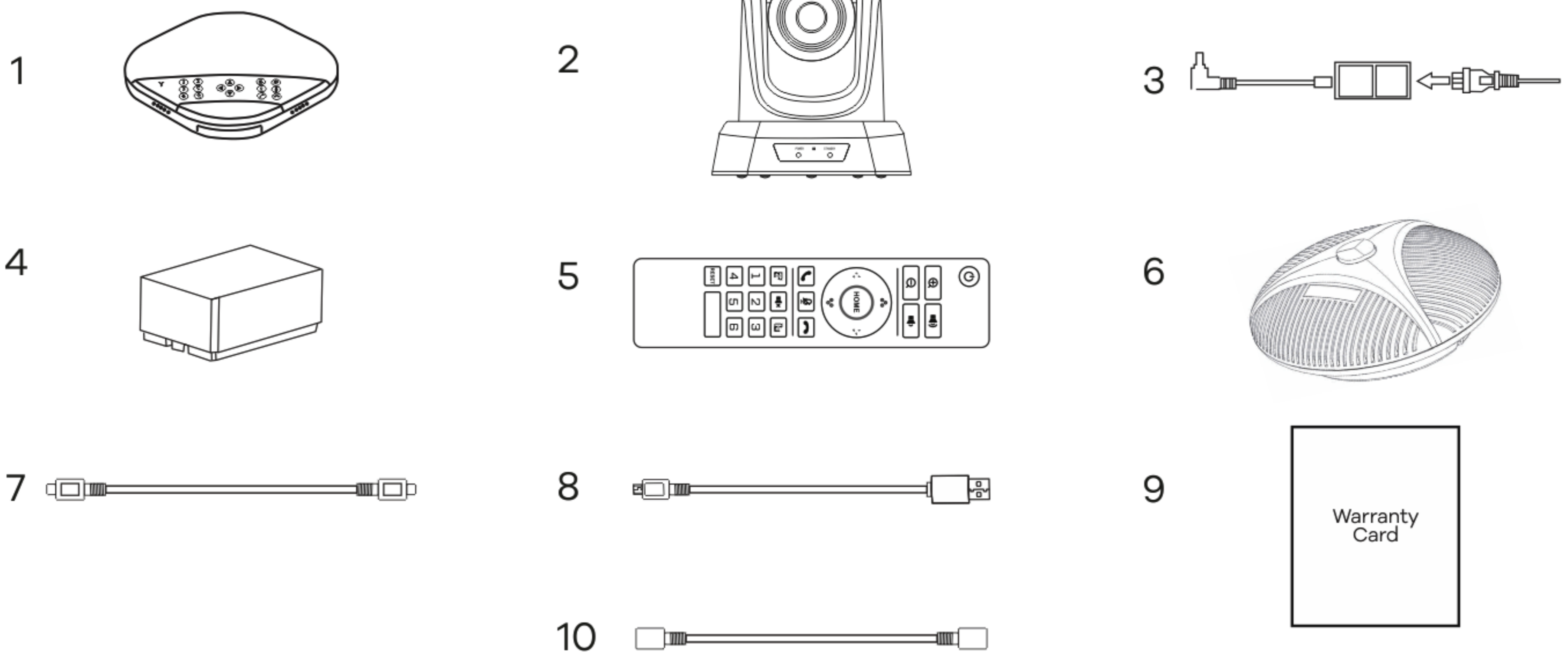
### **3. HANDLE GENTLY**

- Avoid piling other objects on top of the camera.
- Avoid strong vibration with the camera during installation.
- Store the camera at room temperature

### **4. INSTALL CAREFULLY**

- Do not rotate the camera head violently, as this may cause damage to the sensor.
- This product should be placed on a flat surface, do not place it tilted, because it will cause the image to lose focus slightly.
- Avoid liquids, oils that cause abrasions on the product.
- Make sure there is no dust/something blocking playback on the camera.
- Do not turn on the product until everything is installed neatly.

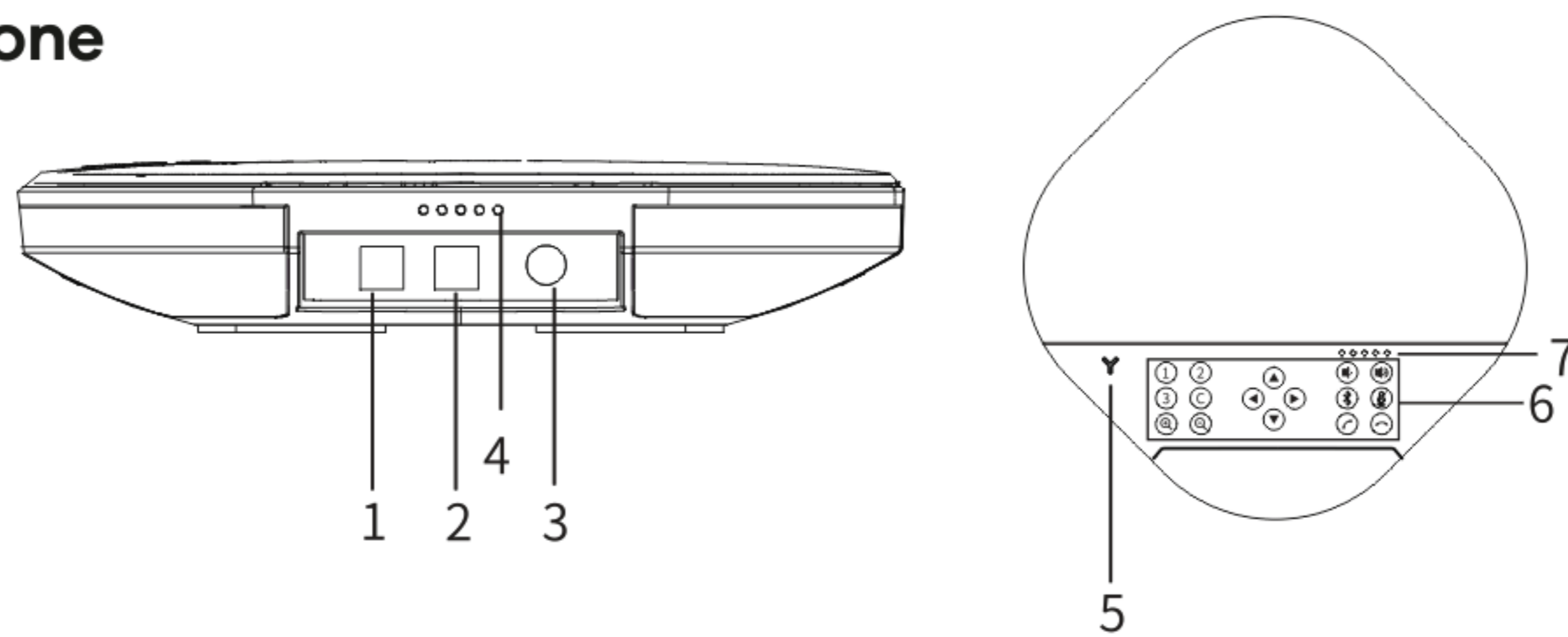
# 1. PACKAGE CONTENT



- |                      |                     |                        |
|----------------------|---------------------|------------------------|
| 1. Speakerphone      | 4. Hub              | 7. 5M DIN6 Cable *2pcs |
| 2. JETE Group Camera | 5. Remote Control   | 8. 3M USB Cable        |
| 3. Adaptor Power     | 6. Microphone *2pcs | 9. User Manual         |
|                      |                     | 10. 4P4C Cable *3pcs   |

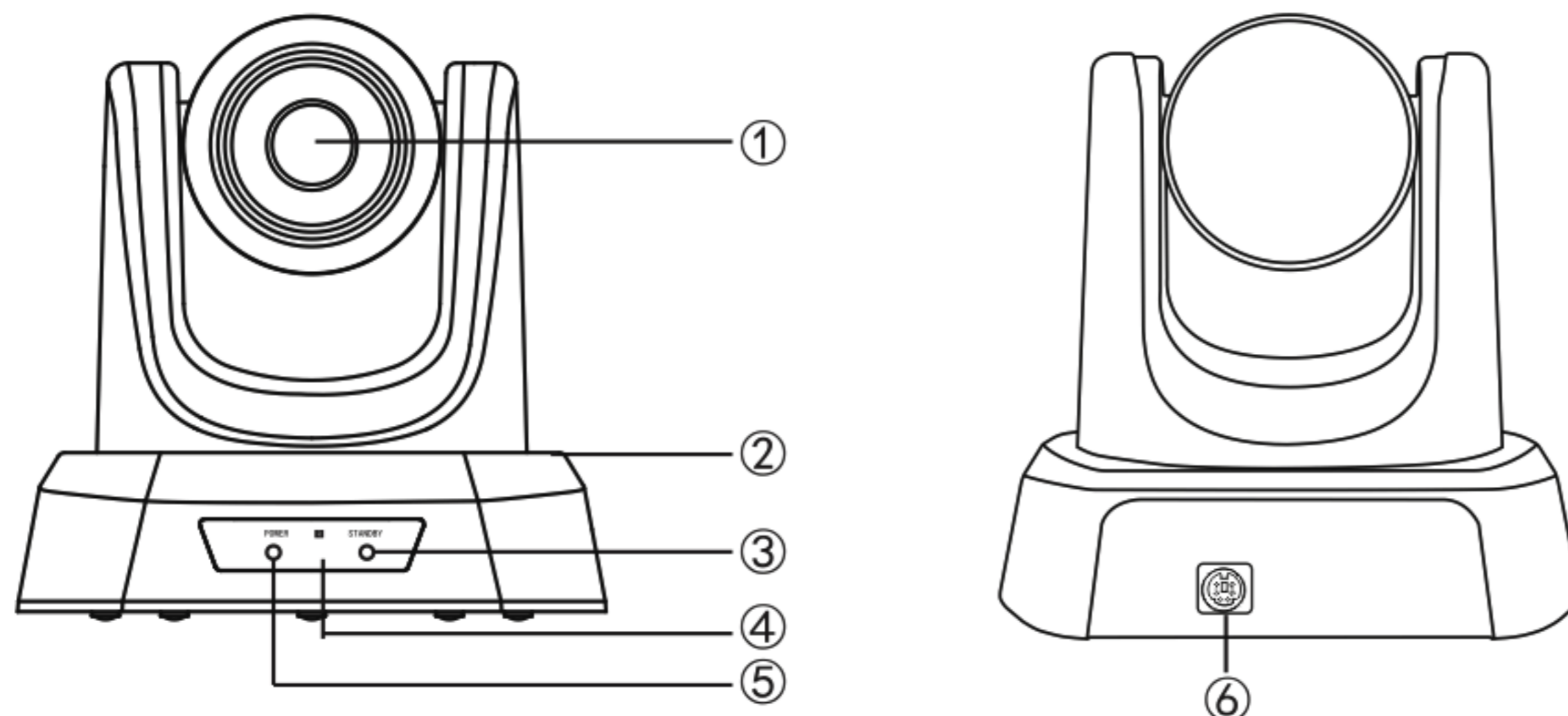
# 2. STRUCTURE PRODUCT

## 2.1 Speakerphone



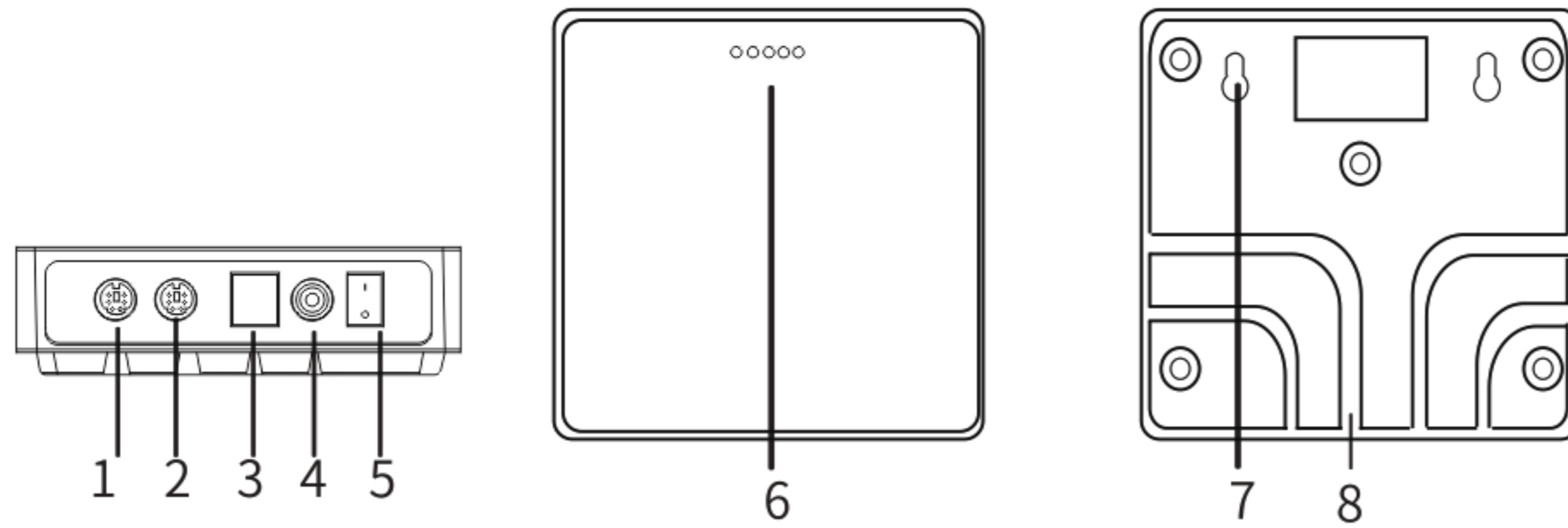
- |                      |                              |
|----------------------|------------------------------|
| 1. Microphone 1 Port | 5. Bluetooth Indicator Light |
| 2. Microphone 2 Port | 6. Function Button           |
| 3. DIN6 Cable Port   | 7. Volume Indicator          |
| 4. Light Indicator   |                              |

## 2.2 Camera



- |                       |
|-----------------------|
| 1. Lens               |
| 2. Camera Axle        |
| 3. Standby Indicator  |
| 4. Remot IR Indicator |
| 5. Power Indicator    |
| 6. DIN6 Cable Slot    |

## 2.3 Hub

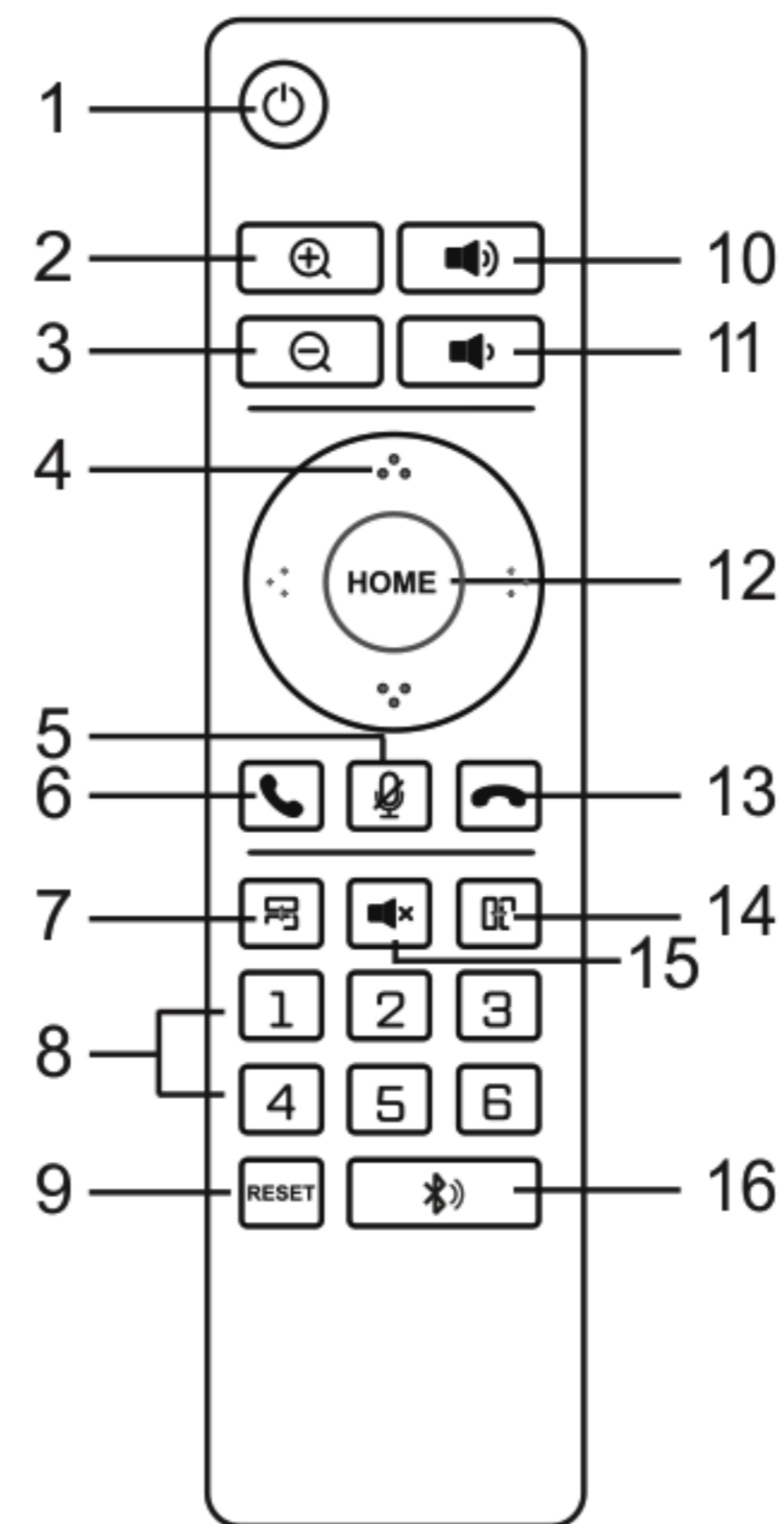


- |                    |                    |
|--------------------|--------------------|
| 1. DIN6 Cable Slot | 5. Power Slot      |
| 2. DIN6 Cable Slot | 6. Power Indicator |
| 3. USB Slot        | 7. Bolt Hole       |
| 4. Power Slot      | 8. Cable Slot      |

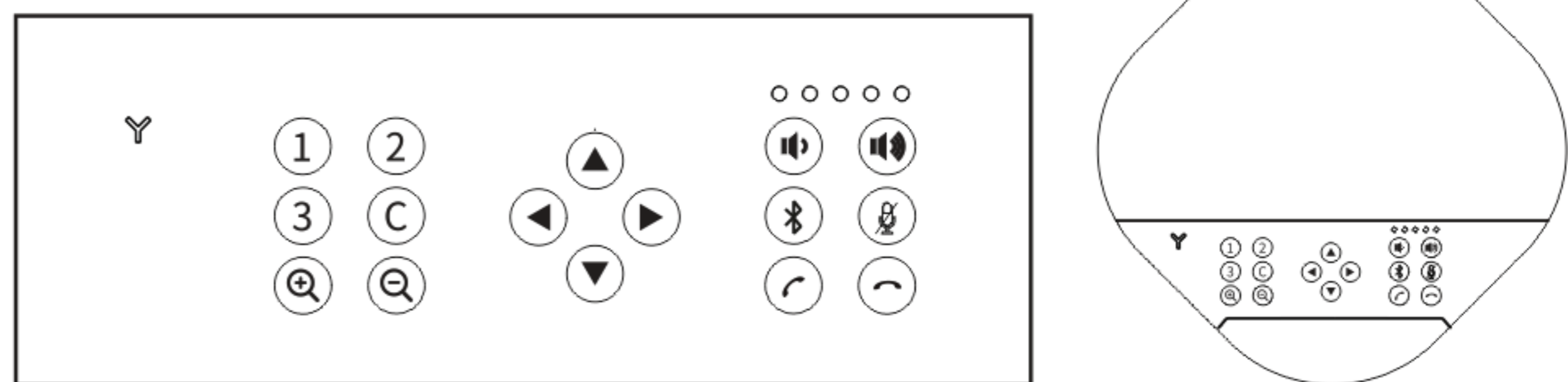
## 3. REMOT IR

### 3.1 Remote Control

- |                         |                              |
|-------------------------|------------------------------|
| 1 : Power               | 10 : Volume +                |
| 2 : Zoom in             | 11 : Volume -                |
| 3 : Zoom out            | 12 : Initial Camera Position |
| 4 : Camera Direction    | 13 : End Call                |
| 5 : Mute Microphone     | 14 : Horizontal Mirror       |
| 6 : Responding to Calls | 15 : Speaker Mute            |
| 7 : Vertical Mirror     | 16 : Bluetooth Button        |
| 8 : Preset Button       |                              |
| 9 : RESET               |                              |

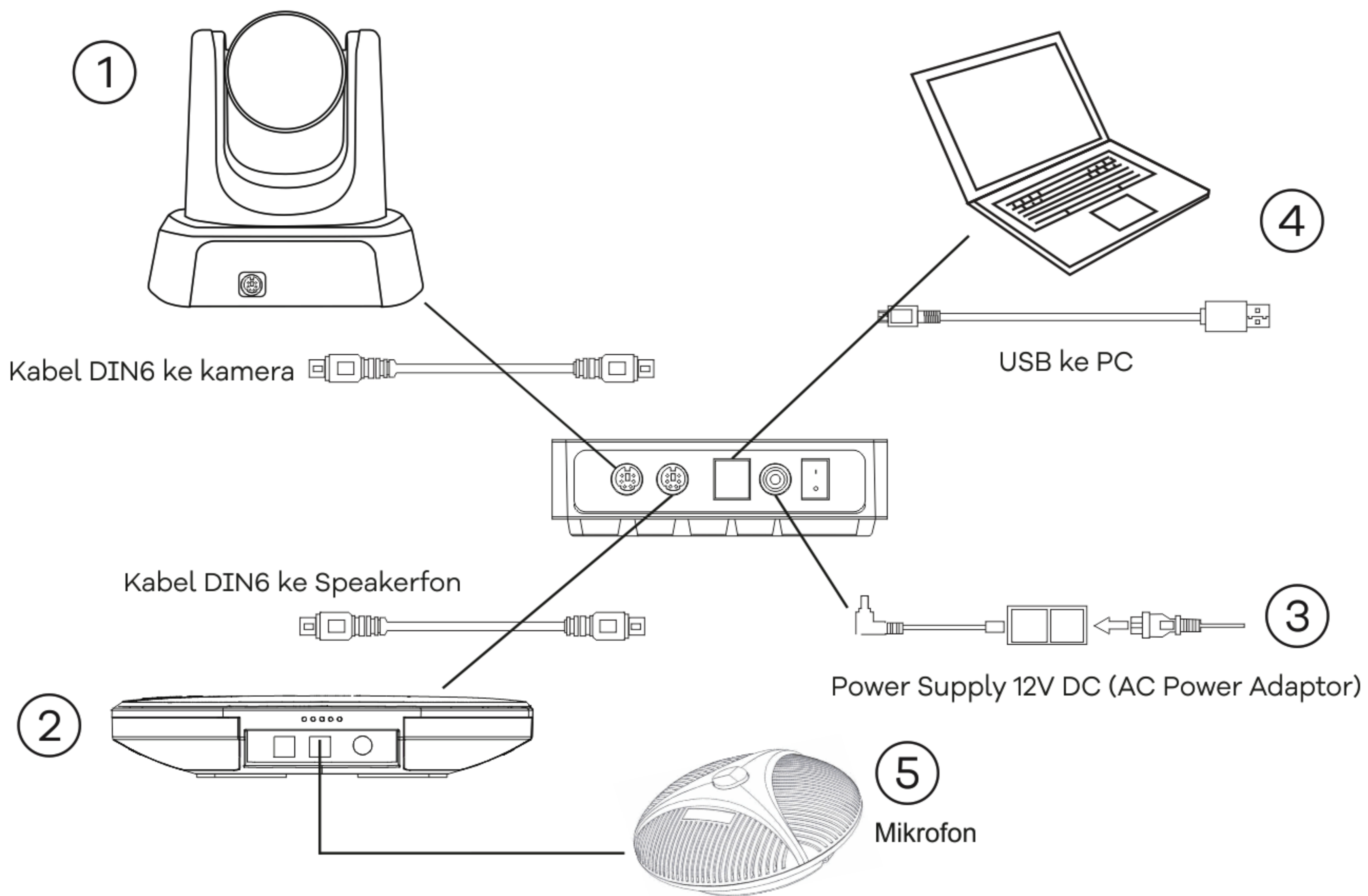


### 3.2 Perihal Speakerfon



① ② ③	Preset Button	The button sets the position of the camera already saved on the 1,2,3 button.
Ⓒ	Initial Camera Position	To restore the camera to its original position
⊕ ⊖	Zoom in/out	enlarge and diminish the camera
▲ ▼ ◀ ▶	Camera Direction	to set the direction of the camera: up, down, left, right
🔊 🔊	Volume Button	Set Volume
📶	Bluetooth Button	To match Bluetooth
☎	Responding to Calls	Responding to calls
☎	End Call	End Call
🔇	Microphone Mute	Turning Microphone

## 4. INSTALL CAMERA



### • Steps to Install Camera

1. Connect the camera to the HUB using the DIN6 data cable
2. Connect the speaker to the HUB using the DIN6 data cable
3. Connect the HUB to the power adapter
4. Connect the HUB to the computer using a USB cable
5. Connect Speakers to Microphones
6. Pull the power button on the HUB
7. Open the application to use, the camera and speaker will be connected perfectly
8. Select Webcam ( JETE Group Kamera )
- 9.. Press the microphone and speaker buttons to start the audio

## 5. HOW TO BLUETOOTH PAIRING TO YOUR DEVICE

1. Press the Bluetooth button, then the (Y) indicator will blink which means the speaker is ready to be aligned
2. Find the Bluetooth name "JETE GROUP" through the smartpone/computer device
3. Once Bluetooth is successfully connected, the indicator will light blue
4. The speaker is ready for use.

Note : If it cannot be matched, please restart Bluetooth and turn it on again

## 6. INDICATOR STATUS

Indicator Volume	Green Light	The higher the volume, the brighter the indicator
	Red Light	Turn Off Volume
Power Indicator Status	Indicator "Y" Turn On	1. Turn on Bluetooth the green light will blink 2. After Bluetooth is turned on, the "Y" indicator will flash.

## 7. HOW TO DOWNLOAD THE CAMERA ( PRESET KAMERA )

### Preset Saving :

- Directs the camera to the position to be saved
- Press and hold the 1/2/3 preset button for 5 seconds, the preset will be saved automatically

### How to use the Preset:

Press and hold the 1/2/3 preset button for 5 seconds, presets saved

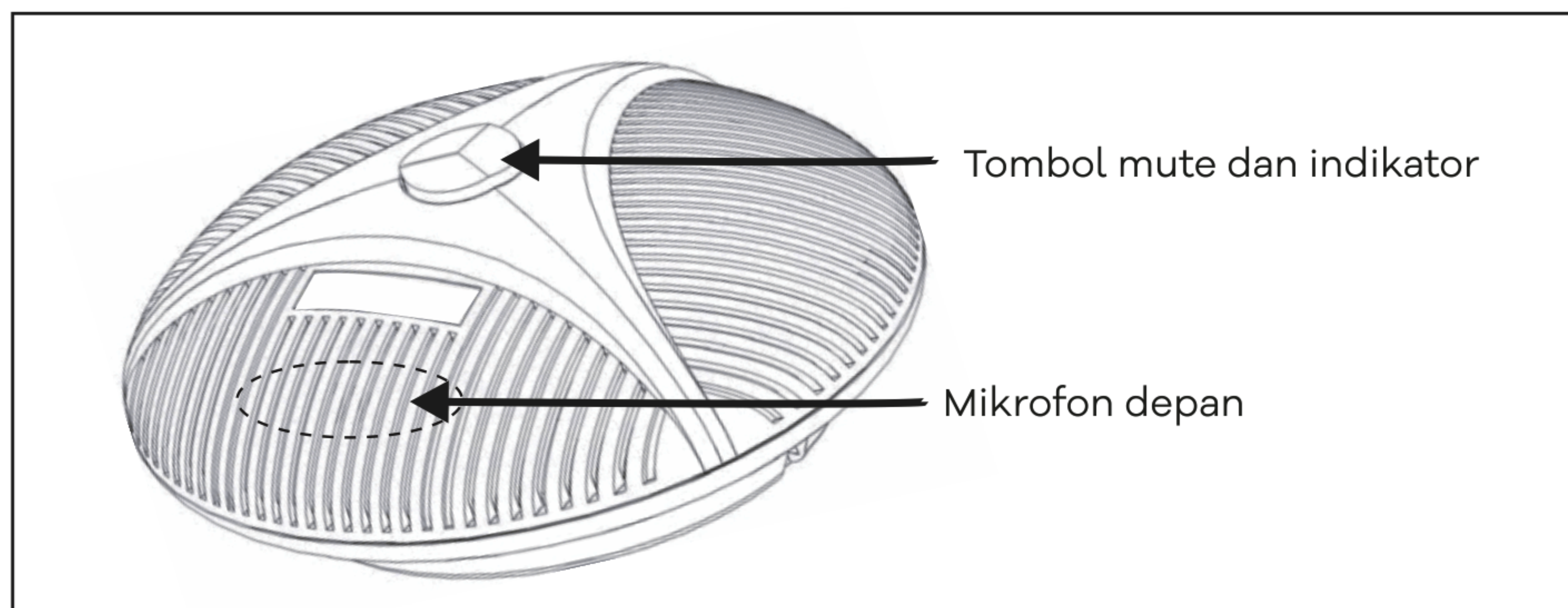
Note: The button will not work, if the preset has not been saved

### • How to delete Preset :

- Press the RESET button for 5 seconds, all presets will be deleted.

## 8. HOW TO INSTALLATION FOR ADDITIONAL MICROFONES ( OPSIONAL )

- Connect the microphone to the speaker using a 4p4c cable
- Put the 4p4c cable into the EXT1/EXT2 slot on the speaker.
- There's a "mute" button and light status on the microphone.
- "Green" indicates that the microphone is active
- "Red" indicate that the mic is inactive



Note : Please remove the extra microphone after the camera is Turn OFF

### • Additional things to pay attention

1. Set the volume on the microphone and speaker comprehensively to ensure communication is clear and soft
2. Don't turn on the microphone and the automatic speaker
3. Please turn off the audio function on the computer (as an echo suppressant and outside noise, etc.)



## 9. SPESIFICATION

Model	Jete Group
Interface	DIN6 x 2;power interface x 1; power switch x 1; USB interface x 1
Power Supply	ec3800 plug (DC12V) adapter input;AC110-AC220V, output DC12V/2A
Connection Cable	DIN6 data line x 2 panjang : 5m
USB Cable	USB2.0 kabel
Compabilitas	Support windows, android, iOS, dan linux kompatibel dengan zoom, lynch, vidyo, skype untuk bisnis dll.
Dimention	115mmx115mmx34,5mm (LxWxH)
Accesories	Power adapter, cable USB 2.0, remote control, cable 2 DIN6, user manual

SPESIFICATION	LENS
Picture Sensor	1/2.7" SONY HD CMOS
PIXEL	2.1Mega Pixel
FOV	88°
Focal Length	f=4.7-47 mm
Format HD	1080P(1920*1080)
Signal System	NTSC/PAL
Voltase	DC12V
Power	12W
Parameter Control	
Translation/Pitching Angle	-175°~175° -35°~55°
Translation/ Pitching Speed	100°/s 80°/s
General Parameter	
Size	Product:162*172*175mm
Colour	Iron Gray

Model No	Speakerfon
Sound Parameter	Acoustic Echo cancellation(AEC):>65dB Echo length cancellation: 500ms Bidirectional noise compression(NC):<25dB Automatic Direction finding Technology of Intelligent microphone(EMI) Automatic gain control(AGC)
Audio Parameter	Microphone frequency response:100Hz-22KHz Speaker frequency response:100Hz-22KHz Speaker volume:95dB MAX. Microphone sound-pickup diameter: 5 meters, 360 degrees full range
Bluetooth	Bluetooth devices available
IR Reception	Angle: 360° Distance: 10m IR Transparent transmission available
Mic Eksternal	2 optional external microphones makes the sound-pickup range up to 10 m(33ft)
Dimension	180mmx 180mmx42mm(LxWxH)

## **10. CAUTION**

If users have difficulty understanding, it is recommended to start with the initial or default version first and not change any menus. This will help build a basic understanding before moving on to more advanced or complex options.

## **11. MAINTENANCE**

- Avoid excessive physical touch, excessive shock, and exposure to water.
- Pay attention to each camera component during installation and install the camera in the appropriate place.
- Avoid places that are too high and uneven terrain, to avoid dropping the camera.
- Hold the camera gently, do not press too hard, and do not touch the camera lens with your hands, so as not to scratch it, and do not reduce the quality of the lens.
- Do not use too much electrical power (use only ORIGINAL components), to avoid short circuits.
- Do not point the camera directly at the sun or other heat sources, this will cause the lens to become blurry and permanently damaged.
- Do not clean the camera lens with any liquid, it is recommended to blow it with a special camera blower.
- Do not disassemble the unit.

## **12. HOW TO WARRANTY CLAIM JETE PRODUCT :**

1. All warranty claims can be made at the list of Authorized Outlets listed on the warranty card.
2. Buyers can come to an authorized Outlet or contact Customer Service +62812-1739-3609 if they want to exchange the product online.
3. All expedition shipping costs / product postage are borne by the buyer.
4. When claiming the warranty, the buyer is MANDATORY to show the completeness of the warranty:
  - A purchase receipt that clearly states the name of the outlet and the date of the transaction.
  - The product must still be within the specified warranty period.
  - Warranty card that has been filled out.
  - Box / Packing Product.
5. Please inform the constraints / product damage that occurs to our staff.
6. WARRANTY DOES NOT APPLY if USER DAMAGE is found, namely:
  - BROKEN, CRACKED, BURNED, DROPPED, MODIFIED BY YOURSELF, SUBMERGED IN WATER.
7. If there are problems during warranty claims or other questions, please contact Customer Service +62812-1739-3609

### **13. TERMS AND CONDITIONS OF WARRANTY :**

1. This warranty is valid for 2 years for original JETE products.
2. This warranty is valid for the warranty period stated on the product packaging since the date of sale.
3. During the warranty period, the user is exempt from any replacement costs that may occur.
4. The user must show the warranty card and purchase receipt when applying for a warranty.
5. The warranty applies to functional damage:
  - Disfunction.
  - Audio not detected.
  - Indicator off.
  - Battery damage.
6. This warranty DOES NOT APPLY if:
  - PRODUCT IS BROKEN, CRACKED, BURNED, FALLEN,
  - MODIFIED YOURSELF, SOAKED IN WATER.
  - Supporting accessories such as: cables, adapters, etc.
  - Abnormal use, not stored properly, natural disasters, modified, or anything intentionally.
  - The product has been repaired by a third party.
  - The data is not filled in completely by the seller and buyer.
  - Damage caused by user error.
  - The product warranty period has expired.

**2 YEARS  
WARRANTY**



Contact Us

## **JETE WARRANTY POINTS**

