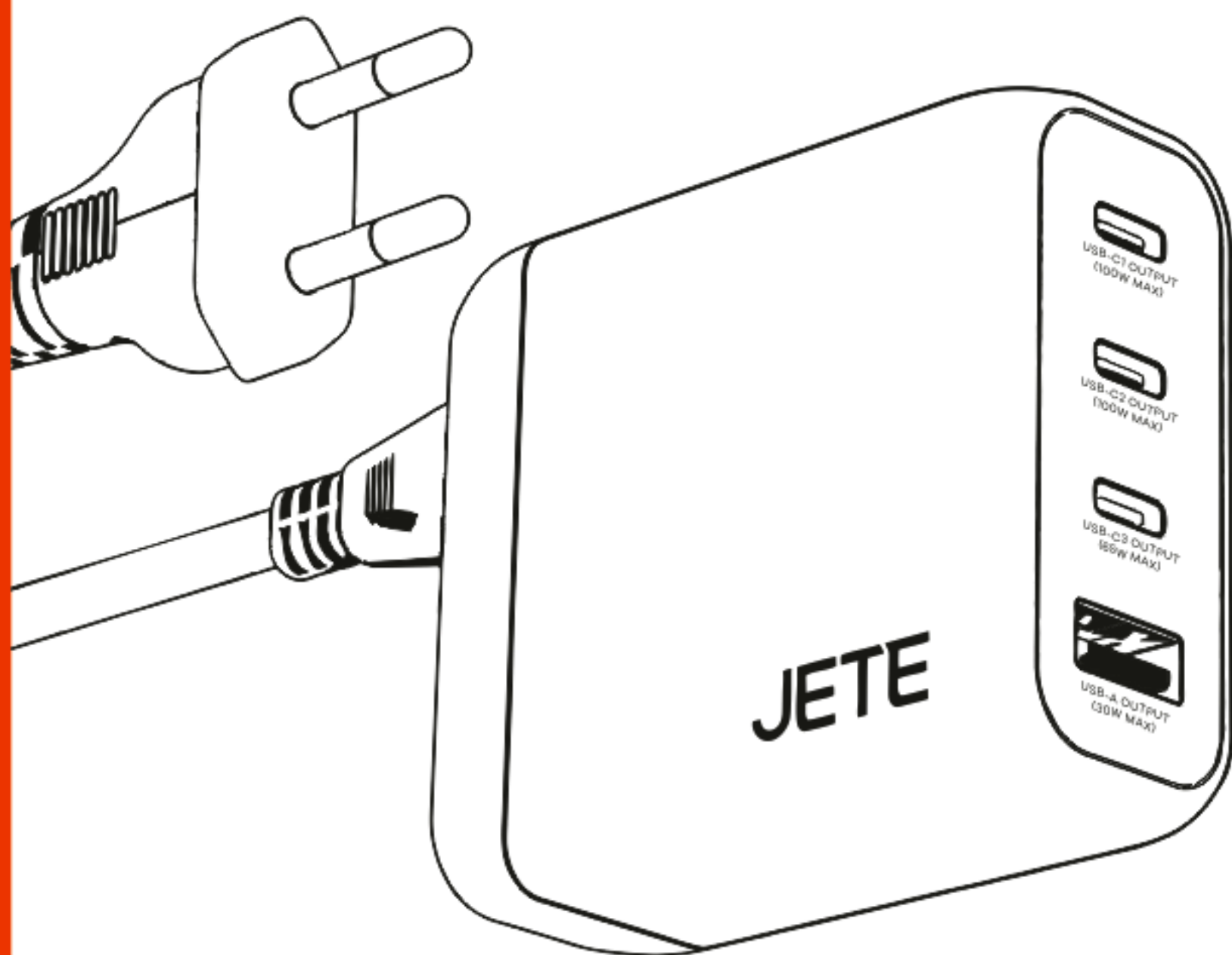


JETE

USER MANUAL

CHARGER E7

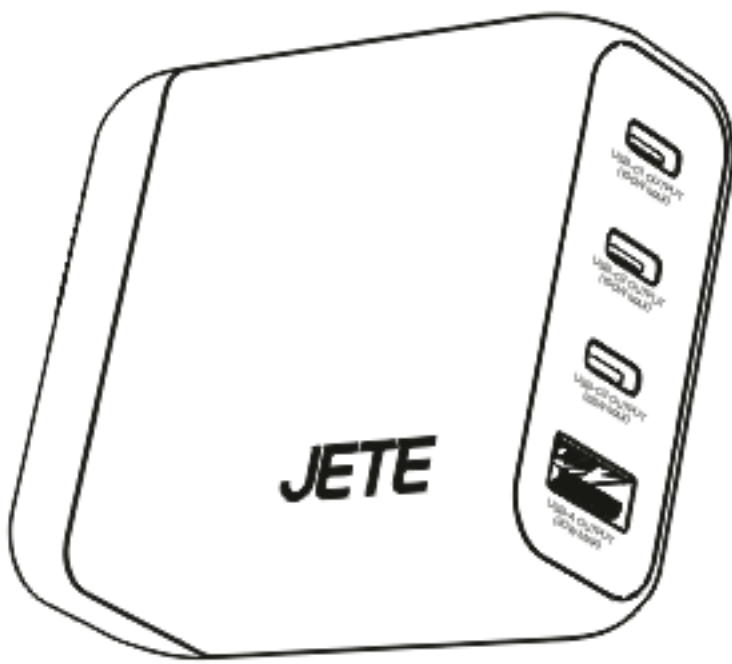


Please read the process carefully
before using the product

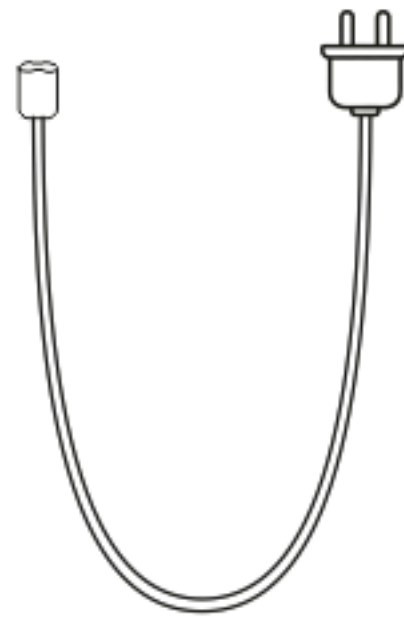
Product Introduction :

The JETE Charger features Quick Charge 3.0, Fast Charging, Up to Power Delivery which makes charging the device faster and more accurate. The total output of the JETE E7 charger is 100W with output USB-C 1/2, 65W with output USB-C 3 and 30W Output USB-A

Package Content :



E7



Kabel
Power



Greeting
Card



Stiker



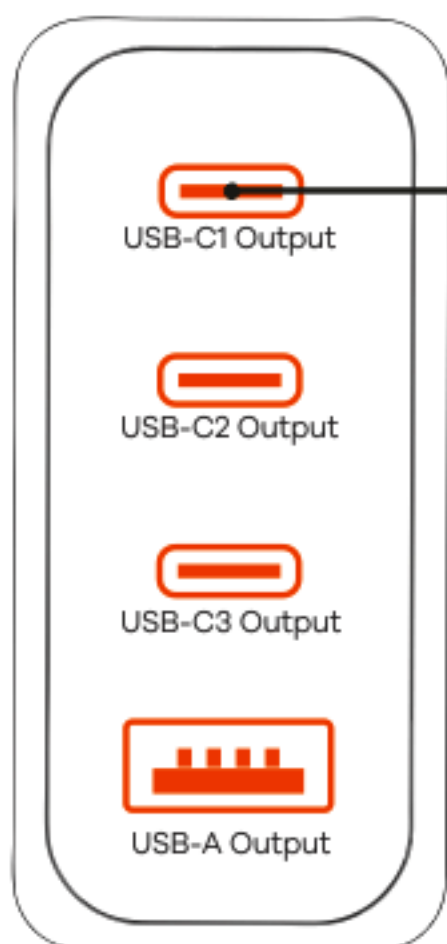
JETE
Warranty Card

Panduan
Penggunaan

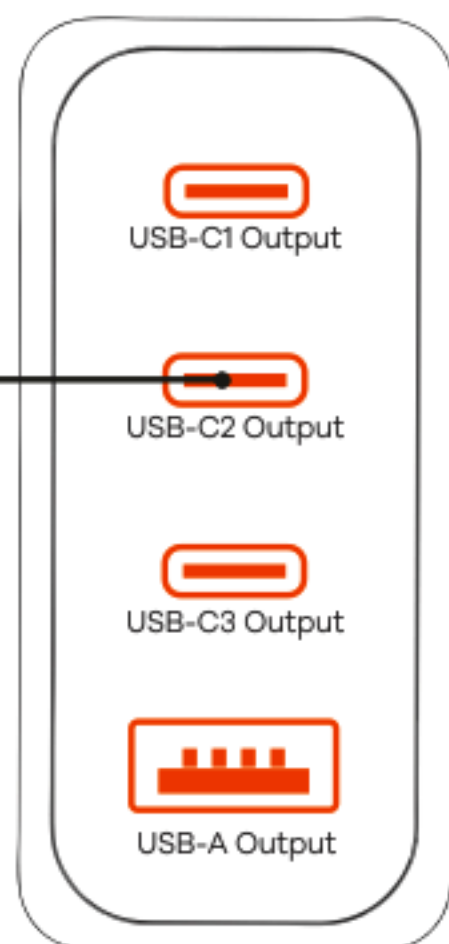
Specification of Charger

Model	JETE-E7
Port	4 Output
Input	100-240V ~ 1.5A MAX 50-60Hz
USB-C1/ USB-C2 Output	3.3V-21V/5A 5V/3A 9V/3A 12V/3A 15V/3A 20V/5A (100W MAX)
USB-C3 Output	3.3V-11V/5A 5V/3A 9V/3A 12V/3A 15V/3A 20V/3.25A (65W MAX)
USB-A Output	4.5V/5A 5V/4.5A 5V/3A 9V/3A 12V/2.5A 20V/1.5A (30W MAX)
USB-C1+USB-C2 /USB-C3 Output	65W+35W
USB-C1/ USB-C2+USB-A Output	65W+30W
USB-C2+USB-C3 Output	65W+35W
USB-C3+USB-A Output	5V/3A (15W MAX)
USB-C1+USB-C2 +USB-C3 Output	45W+35W+20W
USB-C1+USB-C2 +USB-A Output	45W+35W+18W
USB-C1/USB-C2+ USB-C3+USB-A Output	65W(C1/C2)+15W(C3+A)
USB-C1+USB-C2 +USB-C3+USB-A	45W(C1)+35W(C2)+15W(C3+A)
Total Output	100W MAX
Weight	310g

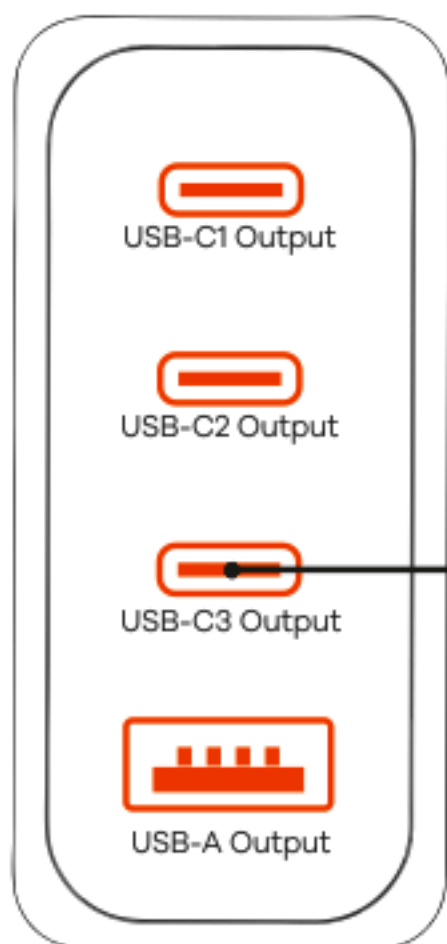
1 Port :



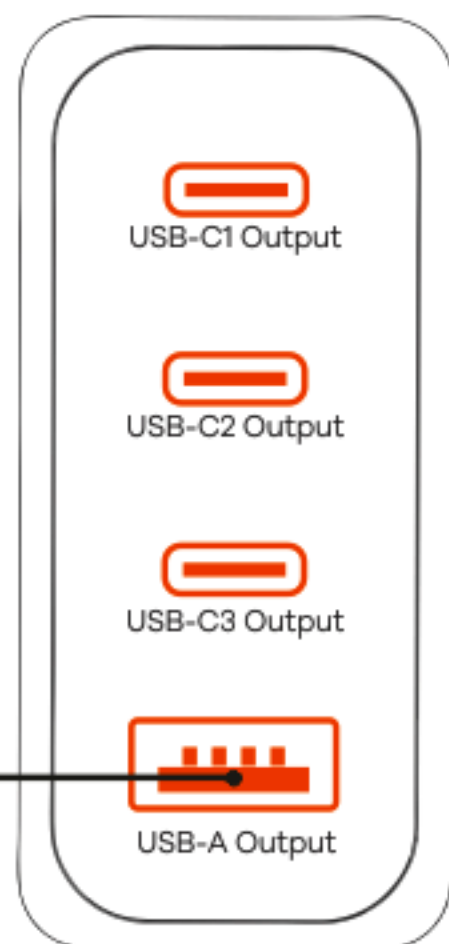
100W MAX



100W MAX

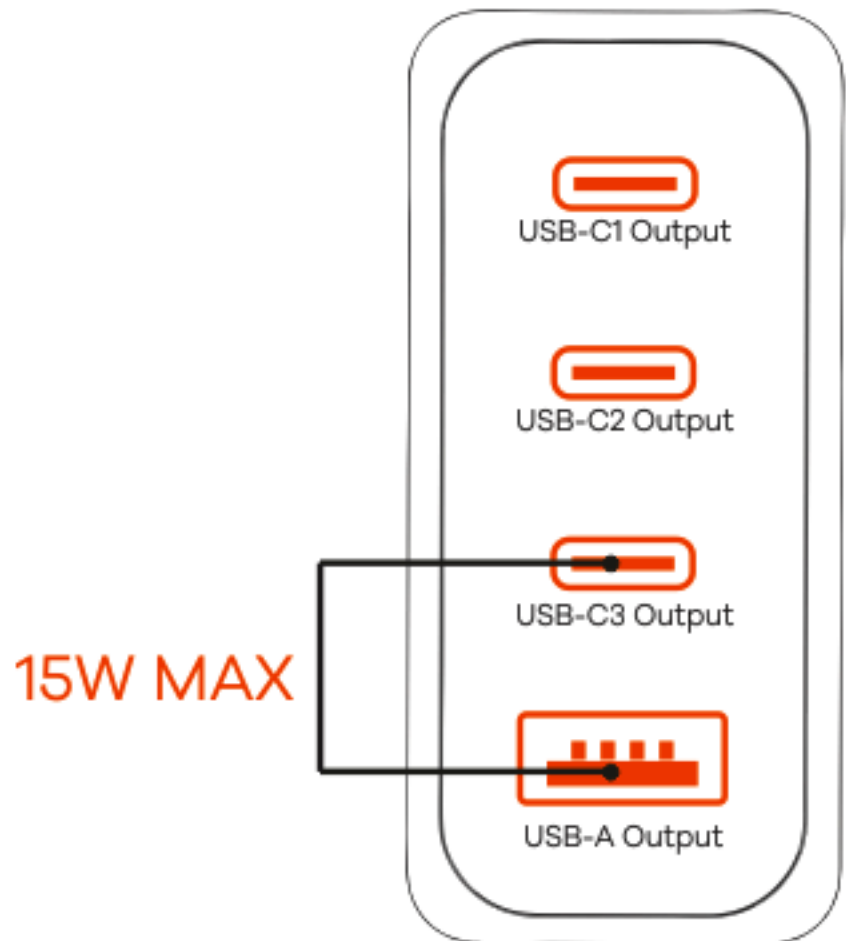
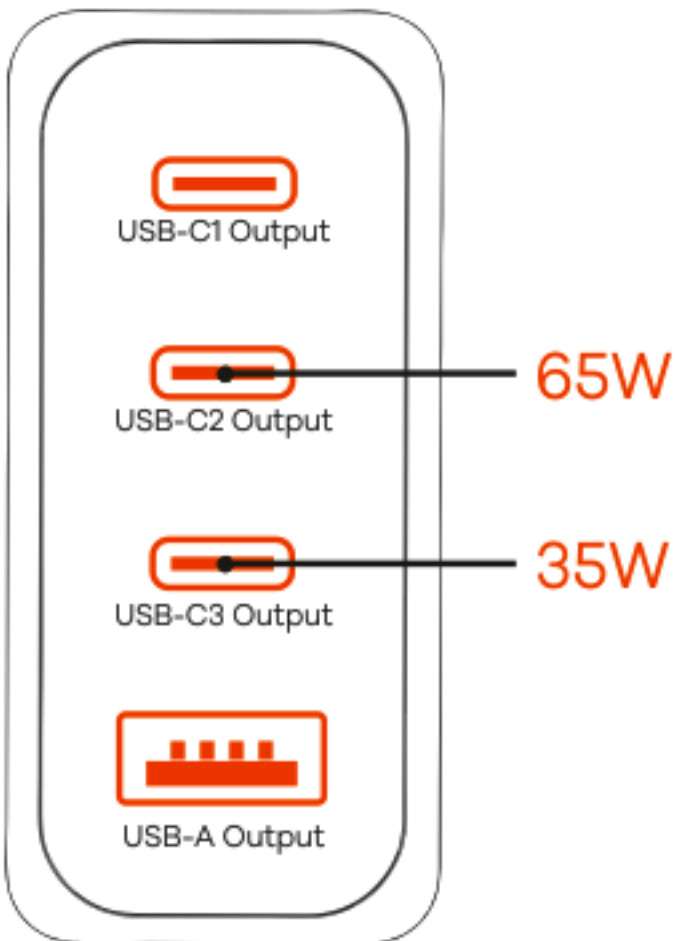
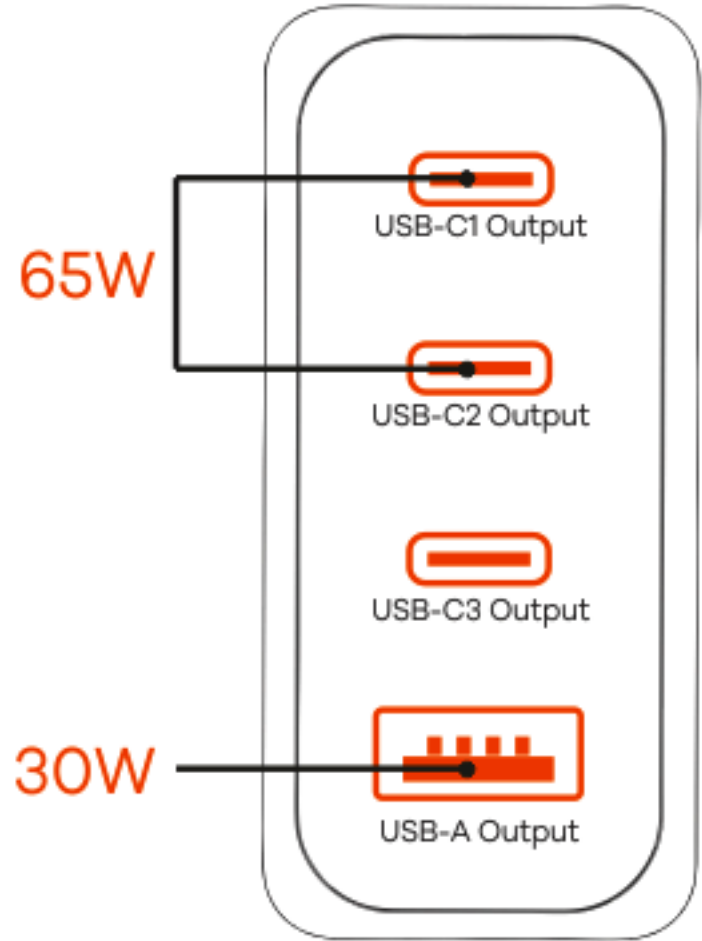
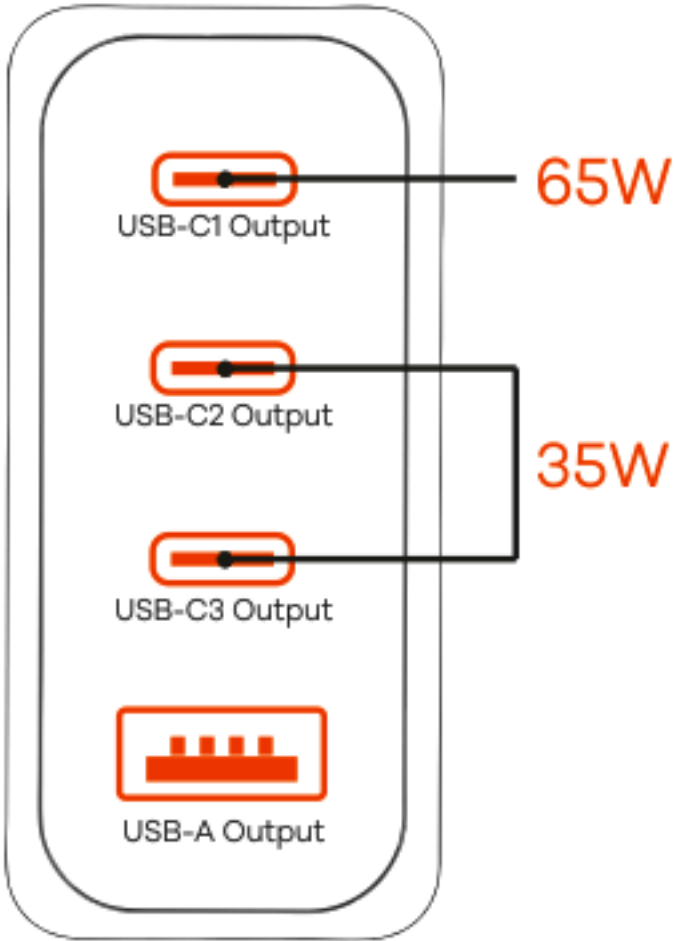


65W MAX

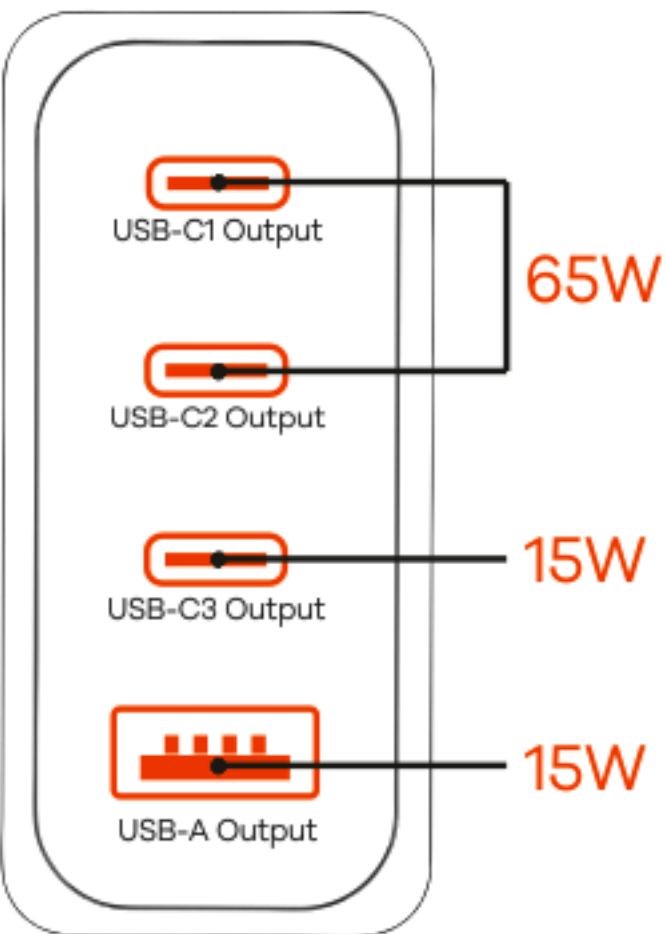
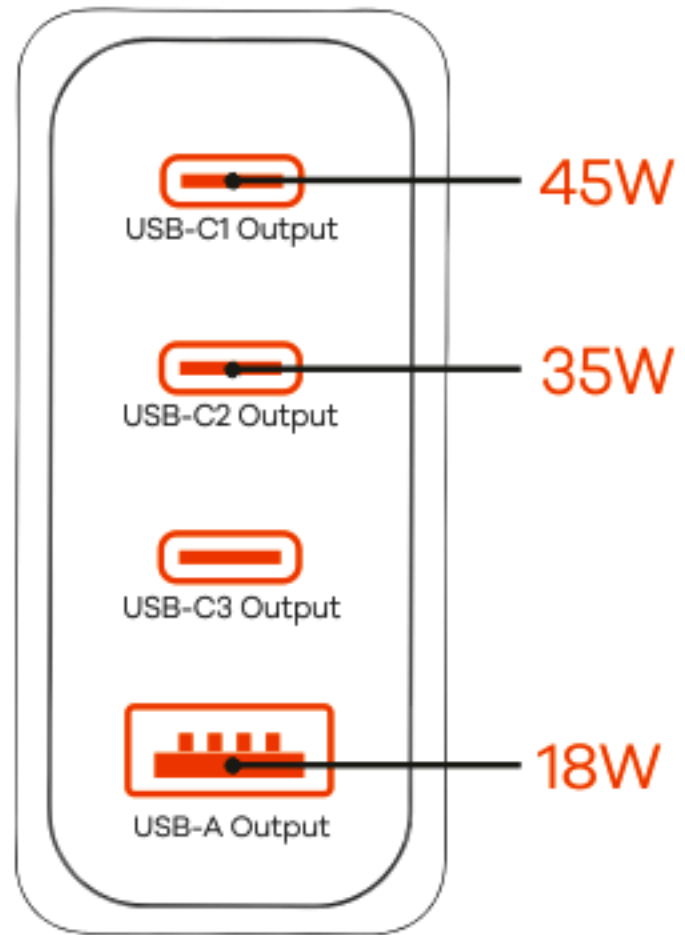
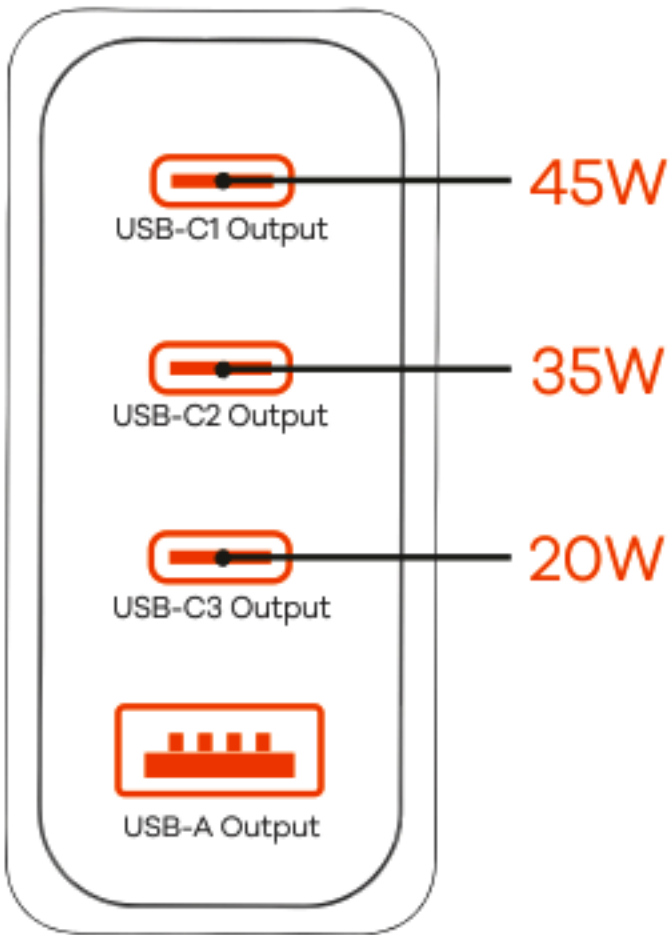


XAM W08

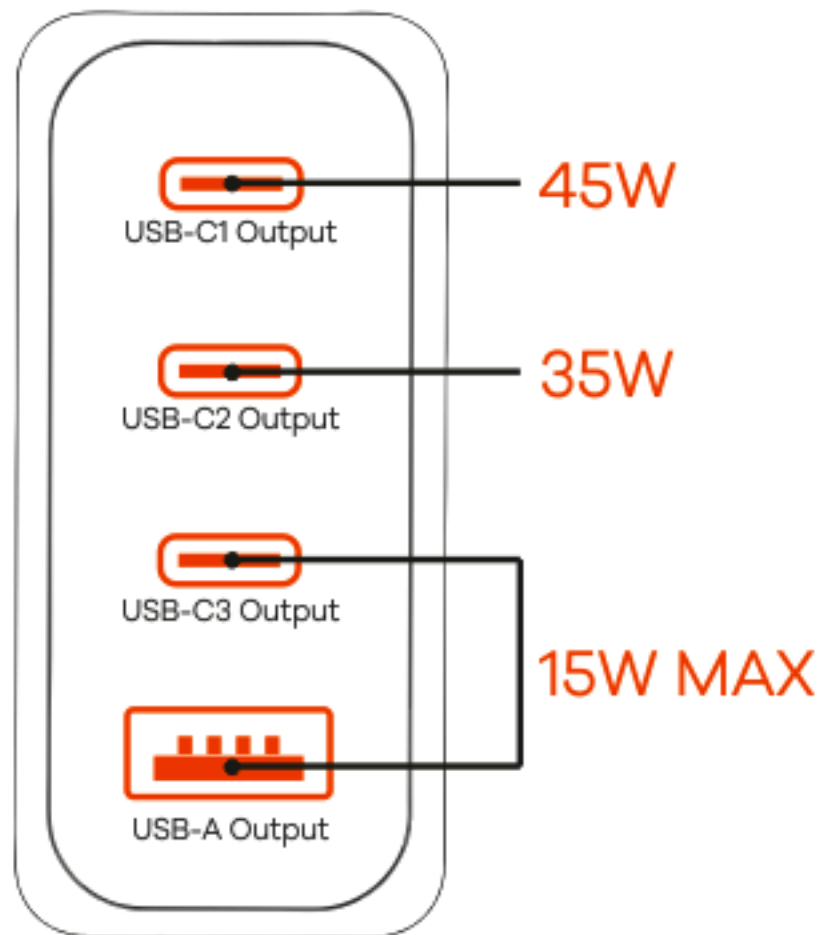
2 Port :



3 Port :



1 Port :



Maintenance

Please read the following recommendations before using JETE

- Avoid exposing the device to water vapor or humid places. This can affect the internal circuit.
- Do not use cleaning solutions to clean the device.
- Do not expose the device to extreme heat or cold, as this can damage the device or change certain plastic parts.
- Avoid exposing the device to sharp objects, as this can cause scratches and damage.
- Do not disassemble or modify the device.
- Do not drop the device, as this can damage the circuitry.
- Always store the device at room temperature.

JETE

**WARRANTY CARD and
USER MANUAL**

CHARGER E7



e-Usermanual

IMPORTIR

PT. DORAN SUKSES INDONESIA

Jl. Lebak Jaya 2 Tengah No. 2, Surabaya

CUSTOMER SERVICE

 081217393609

 jete.id  jeteindonesia

 jeteindonesia  jeteindonesia

How to Warranty Claim JETE Product :

1. All warranty claims can be made at the list of Authorized Outlets listed on the warranty card.
2. Buyers can come to an authorized Outlet or contact Customer Service +62812-1739-3609 if they want to exchange the product online.
3. All expedition shipping costs / product postage are borne by the buyer.
4. When claiming the warranty, the buyer is **MANDATORY** to show the completeness of the warranty:
 - A purchase receipt that clearly states the name of the outlet and the date of the transaction.
 - The product must still be within the specified warranty period.
 - Warranty card that has been filled out.
 - Box / Packing Product.
5. Please inform the constraints / product damage that occurs to our staff.
6. **WARRANTY DOES NOT APPLY** if **USER DAMAGE** is found, namely:
 - **BROKEN, CRACKED, BURNED, DROPPED, MODIFIED BY YOURSELF, SUBMERGED IN WATER.**
7. If there are problems during warranty claims or other questions, please contact Customer Service +62812-1739-3609

Terms and Conditions of Warranty :

1. This warranty is valid for 2 years for original JETE products.
2. This warranty is valid for the warranty period stated on the product packaging since the date of sale.
3. During the warranty period, the user is exempt from any replacement costs that may occur.
4. The user must show the warranty card and purchase receipt when applying for a warranty.
5. The warranty applies to functional damage:
 - Disfunction.
 - Audio not detected.
 - Indicator off.
 - Battery damage.
6. This warranty DOES NOT APPLY if:
 - PRODUCT IS BROKEN, CRACKED, BURNED, FALLEN,
 - MODIFIED YOURSELF, SOAKED IN WATER.
 - Supporting accessories such as: cables, adapters, etc.
 - Abnormal use, not stored properly, natural disasters, modified, or anything intentionally.
 - The product has been repaired by a third party.
 - The data is not filled in completely by the seller and buyer.
 - Damage caused by user error.
 - The product warranty period has expired.

**2 YEARS
WARRANTY**

NEW REPLACEMENT
FOR ANY FAULTS *T&C



Contact Us

JETE WARRANTY POINTS

