

JETE

**WARRANTY CARD and
USER MANUAL**

ADAPTOR CN1



e-Usermanual

IMPORTIR

PT. DORAN SUKSES INDONESIA

Jl. Lebak Jaya 2 Tengah No. 2, Surabaya

CUSTOMER SERVICE

 **081217393609**

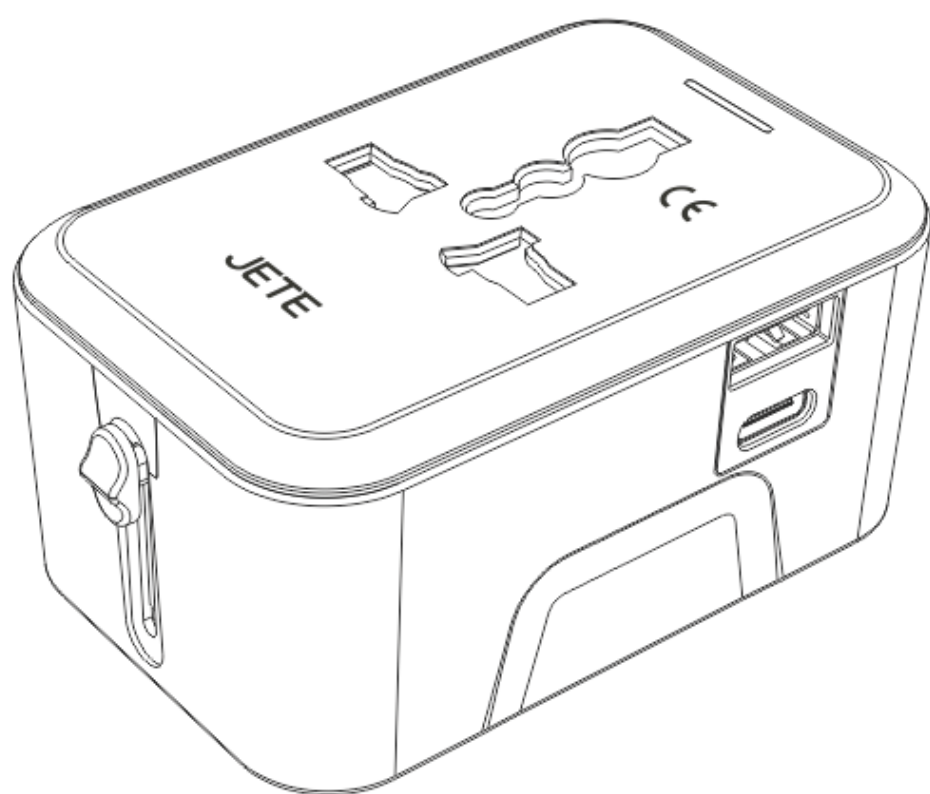
 jete.id  [jeteindonesia](https://www.instagram.com/jeteindonesia)

 [jeteindonesia](https://www.facebook.com/jeteindonesia)  [jeteindonesia](https://www.twitter.com/jeteindonesia)

JETE

USER MANUAL

ADAPTOR CN1

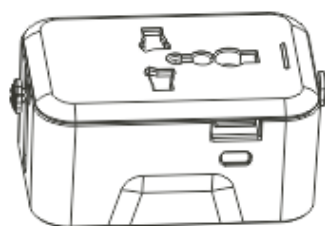


Please read the instructions carefully
before using the product.

Product Introduction :

The JETE Charger features Quick Charge 3.0, Fast Charging, Up to Power Delivery which makes charging the device faster and more accurate. The total output of the JETE CN1 charger is 2.4A with USB-A output.

Content Package :



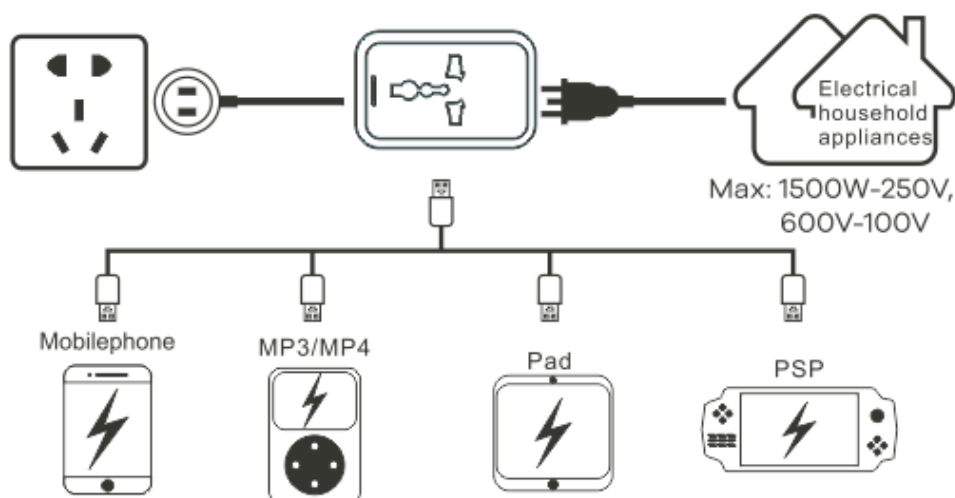
CN1



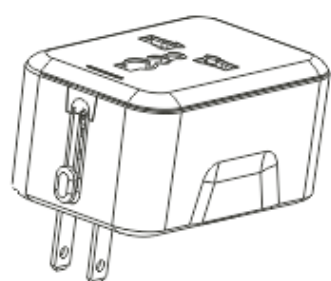
User Manual

How to Use :

- Supports over 150 Countries with US/EU/UK/AU plug
- Equipped with a protective shutter to protect users from direct contact of parts on the socket
- Plug can only be used 1 at a time by sliding one knob the other will automatically be locked.



Charger Plug Type



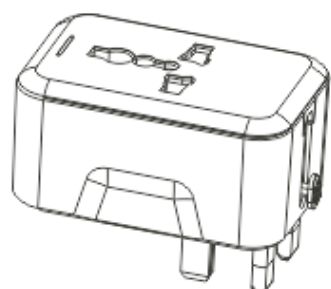
•USA

Press and slide the knob to use the USA/AUST plug as shown making sure the plug shape is straight.



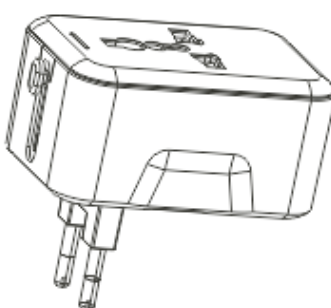
•Australia/New Zealand

Press and slide the knob to use the USA/AUST plug as shown. Ensure the shape of the plug is rotated to the (\\/) position.



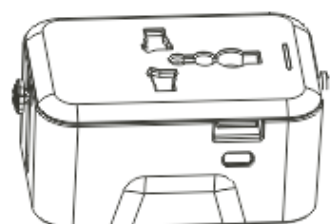
•United Kingdom

Press the knob and slide the other side to use the UK plug as shown. Remove the Insulated Ground Pin from its holder.



•Europe

Take out the Europe plug in the center



•USB

1. USB output port 2.4A
2. USB output port 1.2A x 2
3. Total output 2.4A



Max: 1500W-250V, 600V-100V

Attention:

- Before using this product, please read the following instructions! This product cannot change the voltage (AC-AC), to avoid possible damage to your device or other items, please make sure the main power voltage is suitable for use on your device, before using this adapter.
- Each country has its own regulations for using adapters like this, please check each country first before you use this adapter.

Spesifikasi produk :

Model	: CN1
Port	: 2 Output
Input	: 100-250V~0.6A 50/60Hz
Rating	: 100-250V~6A MAX
USB-A Output	: 5V/2.4A
USB-C Output	: 5V/2.4A
USB-C +USB-A Output	: 5V/2.4A
Size	: 50*84*38mm
Weight	: 111g±5g

Maintenance :

Please read the following recommendations before using JETE

- Avoid exposing the device to water vapor or humid places. This can affect the internal circuit.
- Do not use cleaning solutions to clean the device.
- Do not expose the device to extreme heat or cold, as this can damage the device or change certain plastic parts.
- Avoid exposing the device to sharp objects, as this can cause scratches and damage.
- Do not disassemble or modify the device.
- Do not drop the device, as this can damage the circuitry.
- Always store the device at room temperature.

How to Warranty Claim JETE Product :

1. All warranty claims can be made at the list of Authorized Outlets listed on the warranty card.
2. Buyers can come to an authorized Outlet or contact Customer Service +62812-1739-3609 if they want to exchange the product online.
3. All expedition shipping costs / product postage are borne by the buyer.
4. When claiming the warranty, the buyer is **MANDATORY** to show the completeness of the warranty:
 - A purchase receipt that clearly states the name of the outlet and the date of the transaction.
 - The product must still be within the specified warranty period.
 - Warranty card that has been filled out.
 - Box / Packing Product.
5. Please inform the constraints / product damage that occurs to our staff.
6. **WARRANTY DOES NOT APPLY** if **USER DAMAGE** is found, namely:
 - **BROKEN, CRACKED, BURNED, DROPPED, MODIFIED BY YOURSELF, SUBMERGED IN WATER.**
7. If there are problems during warranty claims or other questions, please contact Customer Service +62812-1739-3609

Terms and Conditions of Warranty :

1. This warranty is valid for 2 years for original JETE products.
2. This warranty is valid for the warranty period stated on the product packaging since the date of sale.
3. During the warranty period, the user is exempt from any replacement costs that may occur.
4. The user must show the warranty card and purchase receipt when applying for a warranty.
5. The warranty applies to functional damage:
 - Disfunction.
 - Audio not detected.
 - Indicator off.
 - Battery damage.
6. This warranty DOES NOT APPLY if:
 - PRODUCT IS BROKEN, CRACKED, BURNED, FALLEN,
 - MODIFIED YOURSELF, SOAKED IN WATER.
 - Supporting accessories such as: cables, adapters, etc.
 - Abnormal use, not stored properly, natural disasters, modified, or anything intentionally.
 - The product has been repaired by a third party.
 - The data is not filled in completely by the seller and buyer.
 - Damage caused by user error.
 - The product warranty period has expired.

**2 YEARS
WARRANTY**

NEW REPLACEMENT
FOR ANY FAULTS *T&C



Contact Us

JETE WARRANTY POINTS

